

A.6: Validé

SIDE VIEW FOR EACH VERSION

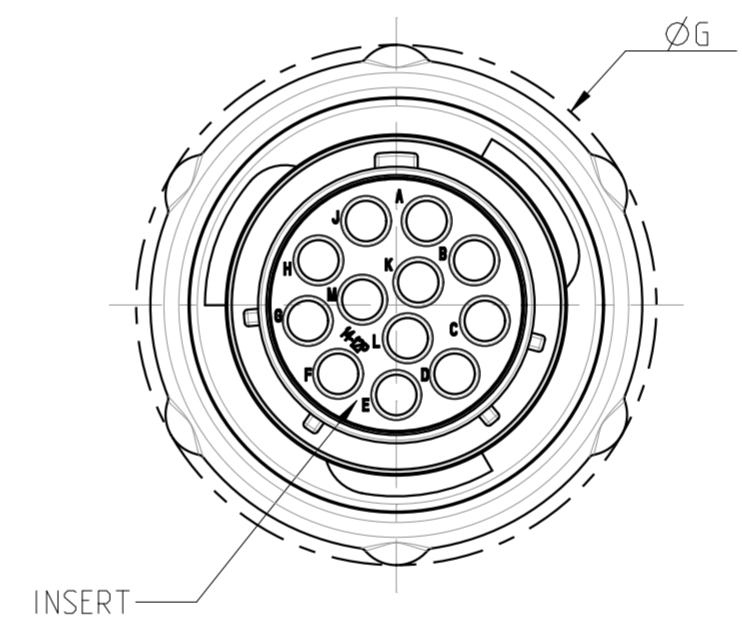
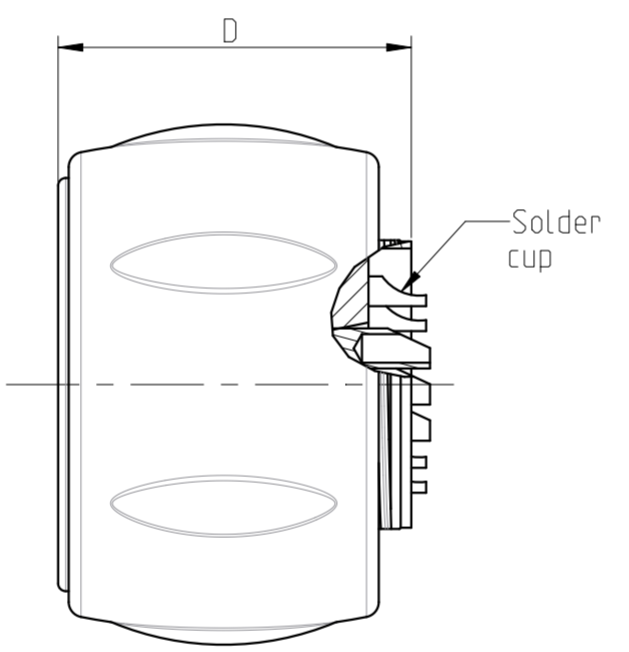
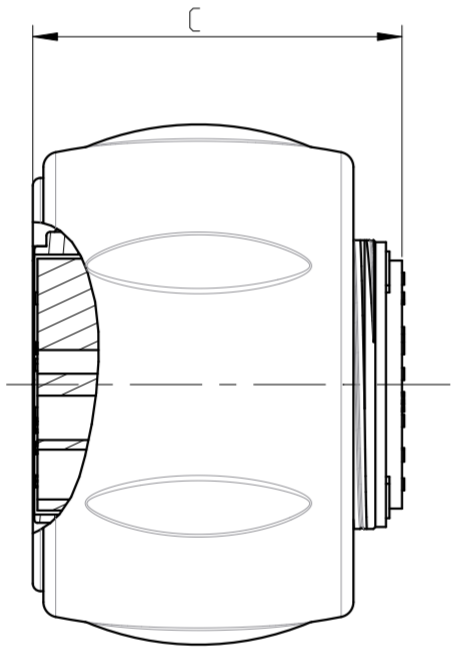
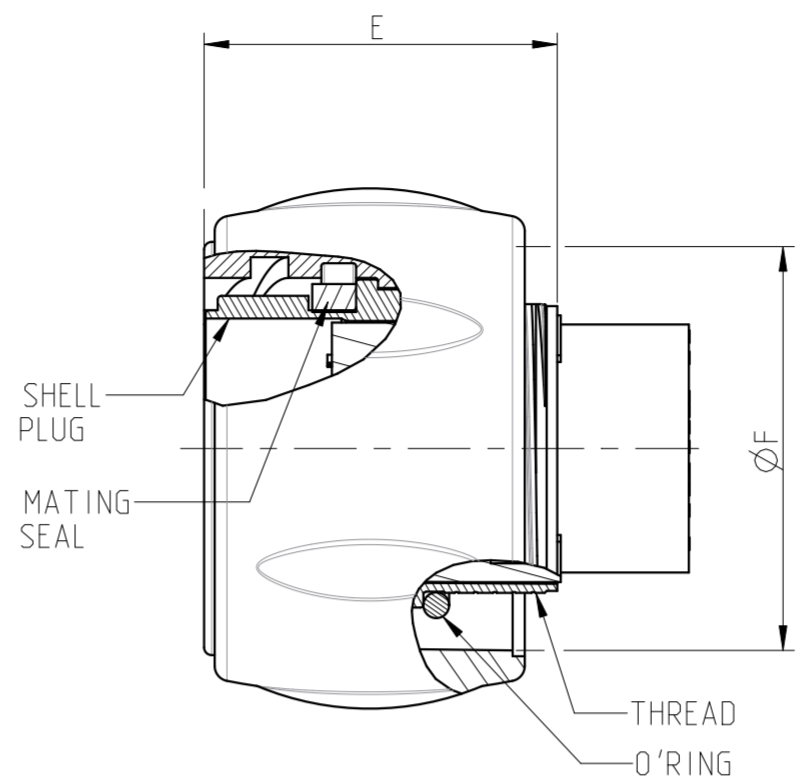
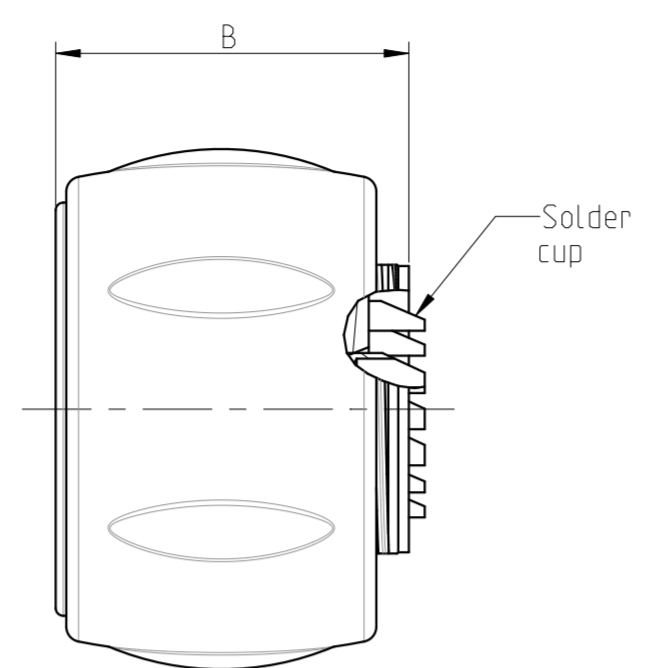
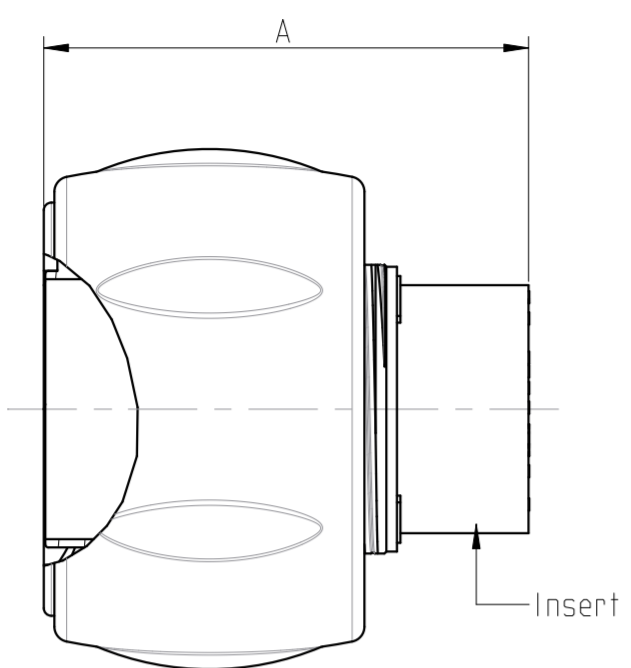
COMMON QUOTES FOR ALL VERSION

UTGX6-----

UTGX6--E---

UTGX6-----P

UTGX6-----S



MATERIAL :

- SHELL : PA UL94 V0, UL746C F1 Black color
- COUPLING RING: PA + Nickel-plated brass
- INSERT (UTGX0-----) : PA UL94 V0, UL746C F1
- INSERT (UTGX0--E---) : Polychloroprene
- O'RING : NITRIL
- MATING SEAL : SILICON
- CONTACTS: brass + coated depending on P/N

PERFORMANCE CHARACTERISTICS :

Operating temperature: -40°C up to 105°C  
 Insulation resistance: 5000 MΩmin under 500V  
 Corrosion salt spray: 500 hours  
 Durability: 500 matings and unmatings

Sealing conditions: SEE TABLE

NOTA:

- Contact to be ordered separately for version UTGX0----- : refer to corresponding catalogue.
- Insert arrangement refer to:  
 UTO-COMTACT-L-C02 (Female insulator)  
 UTO-DHP-003-C01 (Female insulator #20)  
 UTO-DHP-002-C01 (Female insulator #16)  
 UTO-COMTACT-L-C01 (Male insulator)  
 UTO-DHP-003-C01 (Male insulator #20)  
 UTO-DHP-001-C01 (Male insulator #16)  
 C144-UTS1-A (HiSeal Version)

Country	Jurisdiction & Control List
FR	NOT LISTED

SOURIAU shall not be liable for any non-conformity or damage due to a use of the Products which does not comply with the Specifications issued by either of the Parties or by a third party (professional recommendation, technical notice.)

P/N : CROSS REF TABLE

BASIC SERIES	UTGX 6 14 E 19 P -	* P/N for example	
SHELL TYPE	6 Plug		
SHELL SIZE	10 12 14		
TYPE OF LAYOUT	Standard layout (No digit) E : HISeal Handsolder contacts		
INSERT ARRANGEMENT	See NOTA 2	ORIENTATIONS	Normal (no digit) W.X.Y.Z
		TYPE OF CONTACTS	P: MALE S: FEMALE

SEALING CONDITIONS

Sealing in MATED conditions with COUNTERPART:  
 -IP68 1 bar during 1 week: immersion under 10 m of water. (IEC 60529)  
 -IP69K : exposure to high pressure water of cleaning equipment(DIN 40050)

Sealing in MATED conditions with COUNTERPART and UNMATED conditions:  
 -IP68 1 bar during 1 week: immersion under 10 m of water. (IEC 60529)  
 -IP69K : exposure to high pressure water of cleaning equipment (DIN 40050)

SHELL SIZE	MAX				min	±0.2	MAX	THREAD CLASS 2A	±10% (g.)
	A	B	C	D	E	ØF	ØG		MASS
10						20.3	26.2	9/16-24 UNEF	20
12	33.3	24	25.5	24	23.5	23.5	29.7	11/16-24 UNEF	25
14						26.7	34.6	13/16-20 UNEF	35

A	12/02/2020	New drawing	25253J
ISS	DATE	Latest modification - by:	MOD N°
Designed by:		J.FEURPRIER Date:12/02/2020	CUSTOMER DRAWING
TITLE		PLUG T6 WITHOUT BACKSHELL - SIZE 10 12 & 14. Standard and HiSeal version UTGX CONNECTOR	
Scale	2/1	Dimensions in mm General Linear Tolerances: ± 0.2	NPRDS / PROJECT GBB
		www.souriau.com	This document is the property of SOURIAU It must not be reproduced or communicated without permission
FORMAT	A2	SOURIAU DRG N° UTGX-0004A-C	SHEET 1 / 1