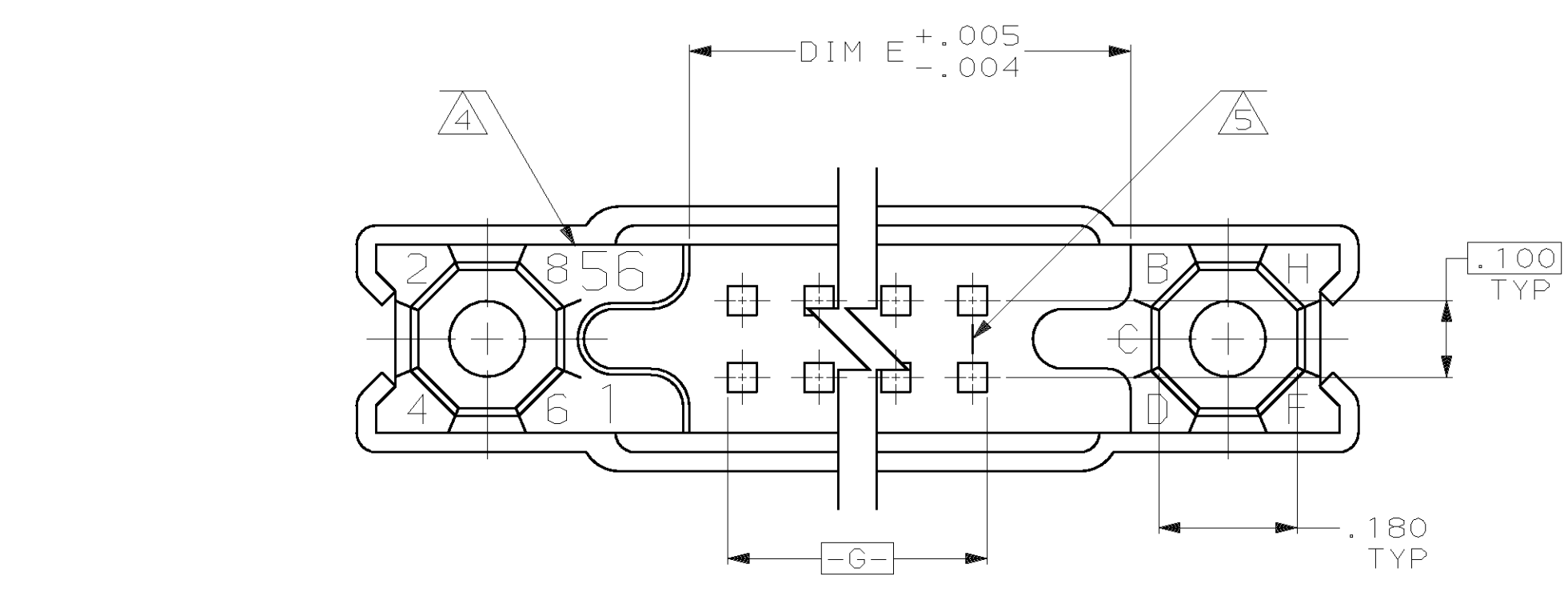
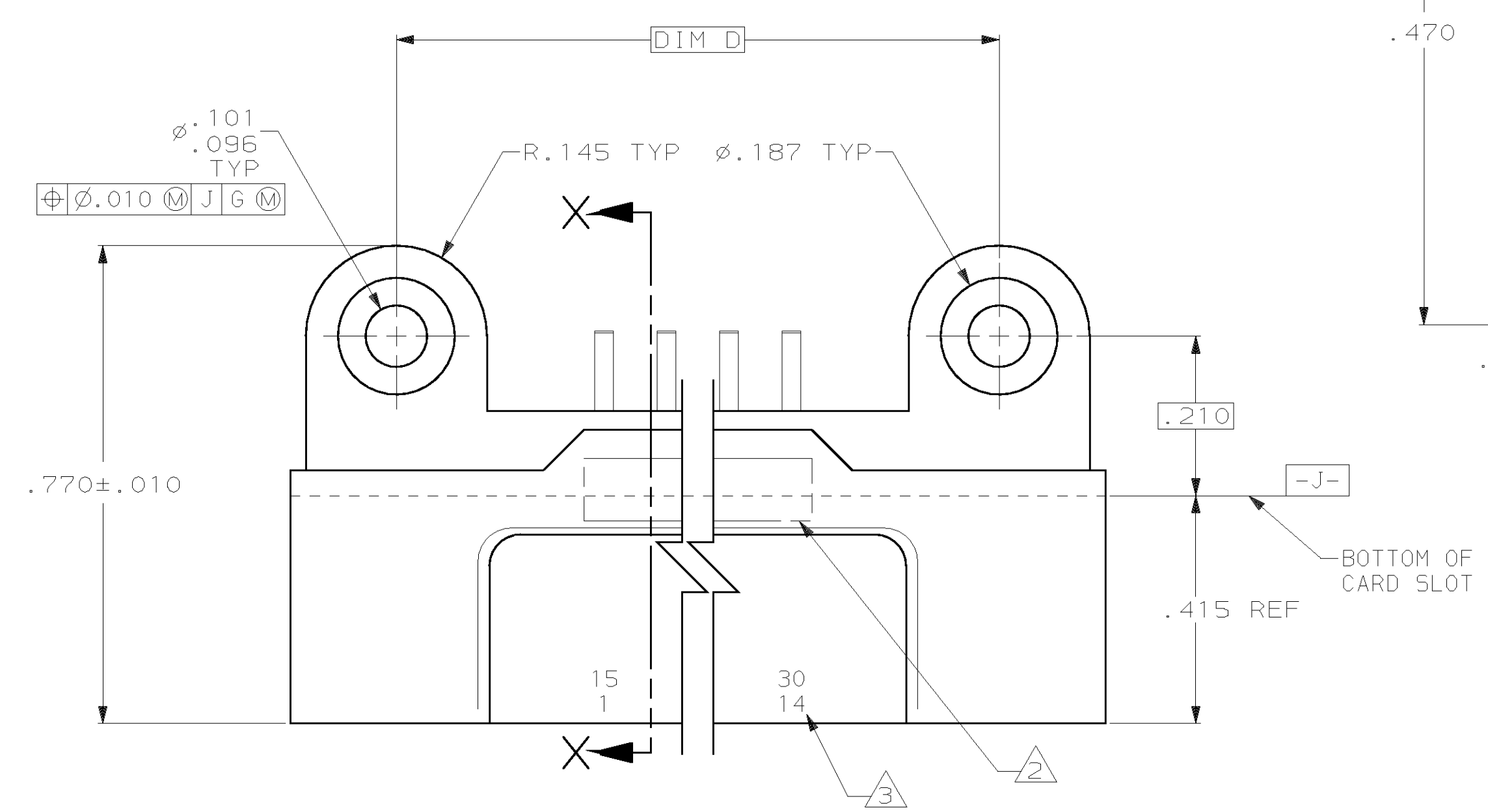
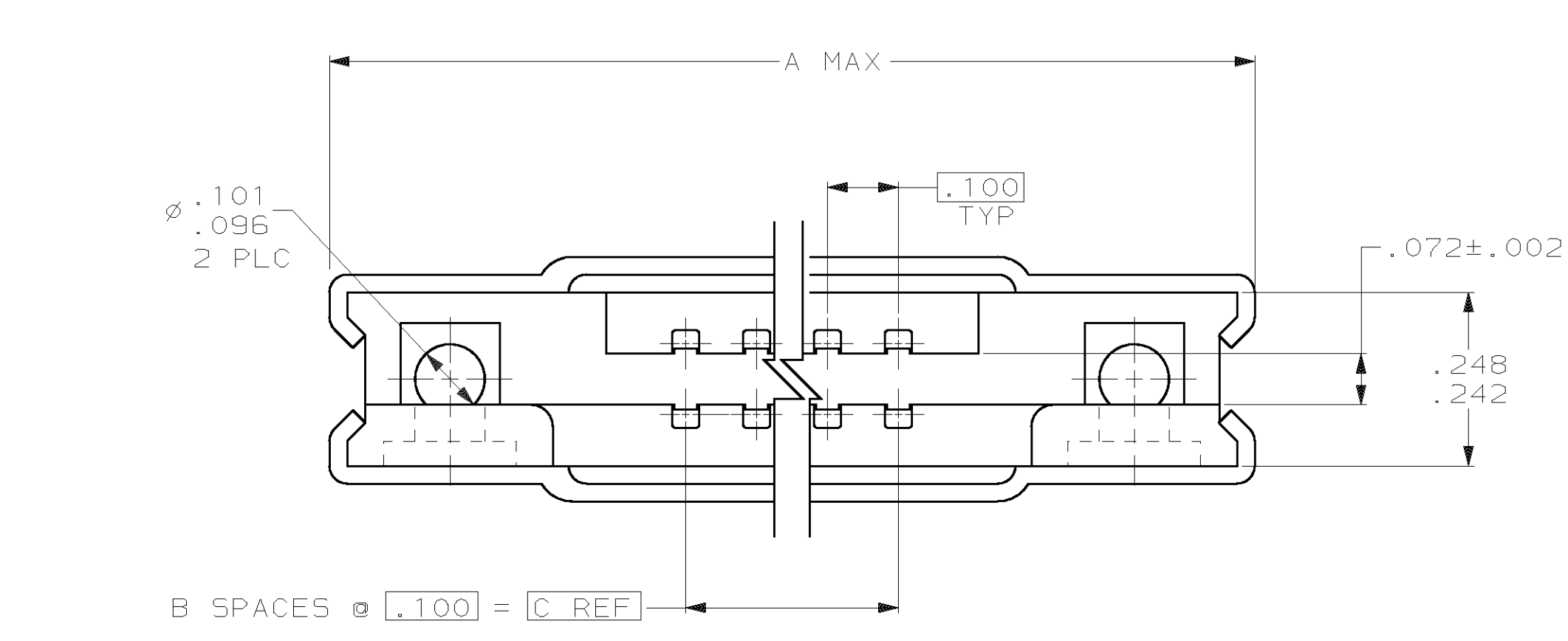
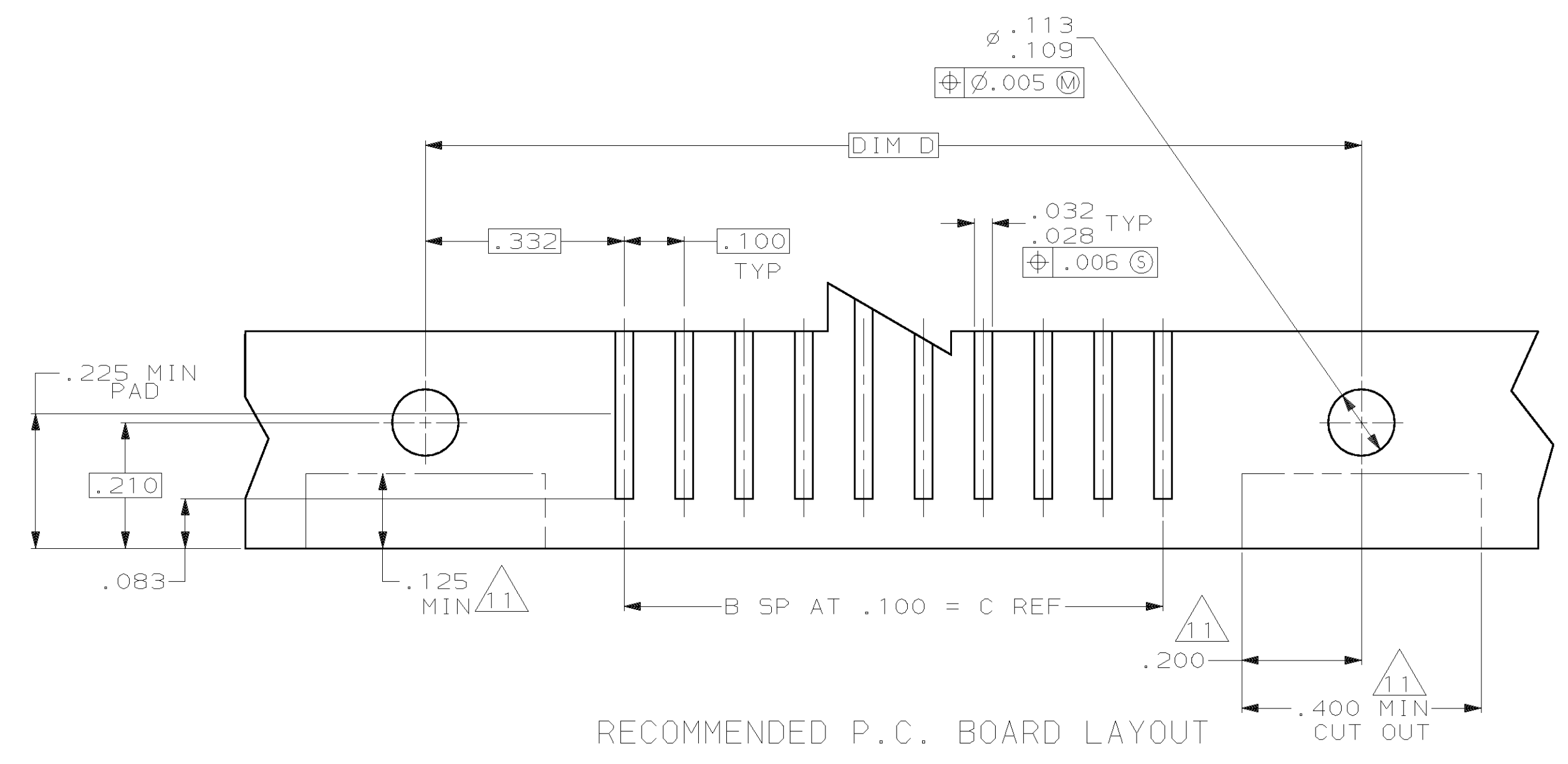
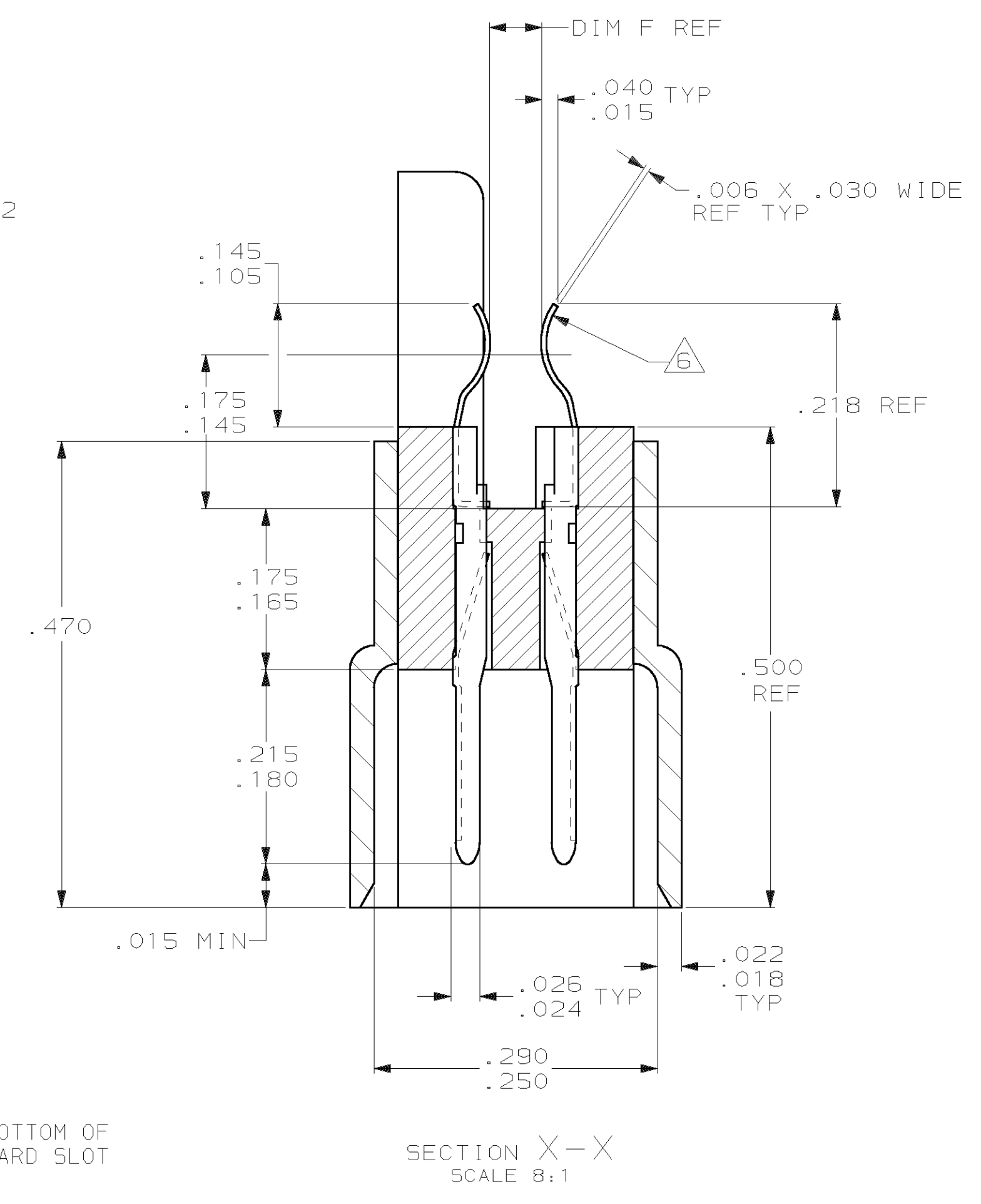


LOC		DIST		P		F		ZONE		LTR		REVISIONS			
DF	F0											DESCRIPTION	DATE	APPD	
												H	REV PER OH14-0031-04	2-04	DM



- MUST MEET ALL REQUIREMENTS OF MIL-C-55302
- AMP, AMP PART NO. 00779 AND DATE CODE MARKED IN THIS AREA, SIDE OPTIONAL.
- NUMBERS INDICATING EVERY 5 CAVITIES MARKED ON SIDE.
- CAVITY IDENTIFICATION NUMBERS MOLDED OR MARKED, SEE TABLE.
- LINES INDICATING EVERY FIFTH CAVITY MOLDED OR MARKED.
- TABS PRETINNED BY AMP FOR SOLDERING BY CUSTOMER.
- USES KEY (530341-1) AND RIVET (530347-1) AND CLINCHING TOOL (91117-1).
- HOUSING MAT'L: DIALLYL PHTHALATE PER MIL-M-14, TYPE SDG-F COLOR: BLUE
- CONTACT MAT'L: BRASS PER MIL-C-55302. CONTACT FINISH: .000050 MIN GOLD OVER .000050 MIN NICKEL.
- PIN PROTECTOR MAT'L: ALLUMINUM PER MIL-C-55302.
- OPTIONAL CUTOUT FOR FOR KEYING AFTER CONNECTOR IS MOUNTED.



.050	7.175	7.565	6.900	69	7.935	M55302/26-22	71 - 1	140	1-530761-5
.050	6.675	7.065	6.400	64	7.435	M55302/26-20	66 - 1	130	1-530761-4
.050	6.175	6.565	5.900	59	6.935	M55302/26-19	61 - 1	120	1-530761-3
.050	1.675	2.065	1.400	14	2.435	M55302/26-10	16 - 1	30	1-530761-2
.050	2.175	2.565	1.900	19	2.935	M55302/26-11	21 - 1	40	1-530761-1
.050	2.675	3.065	2.400	24	3.435	M55302/26-12	26 - 1	50	1-530761-0
.050	3.175	3.565	2.900	29	3.935	M55302/26-13	31 - 1	60	530761-9
.050	3.675	4.065	3.400	34	4.435	M55302/26-14	36 - 1	70	530761-8
.050	4.675	5.065	4.400	44	5.435	M55302/26-16	46 - 1	90	530761-7
.050	5.175	5.565	4.900	49	5.935	M55302/26-17	51 - 1	100	530761-6
.050	5.675	6.065	5.400	54	6.435	M55302/26-18	56 - 1	110	530761-5
.050	4.175	4.565	3.900	39	4.935	M55302/26-15	41 - 1	80	530761-4
.050	6.875	7.265	6.600	66	7.635	M55302/26-21	68 - 1	134	530761-3
.100	5.675	6.065	5.400	54	6.435	-	56 - 1	110	530761-2
.100	6.875	7.265	6.600	66	7.635	-	68 - 1	134	530761-1
DIM F	DIM E	DIM D	DIM C	DIM B	DIM A	MILITARY PART NUMBER	CAVITY IDENTIFICATION	NO OF POS	PART NUMBER

OBSELETE

DO NOT SCALE PRINT. UNLESS SPECIFIED DIMENSIONS IN INCHES [mm] TOLERANCES ON:	DR 2-17-04 C.C. THOMAS	TYCO Electronics Harrisburg, PA 17105-3608
2 PLC DEC ± .005 (0.13)	CHK 2-17-04 D.MILLER	
ANGLES ±	APPD 2-17-04 D.MILLER	NAME
MATERIAL	APPD 2-17-04 D.MILLER	PIN HEADER ASSEMBLY, .100 C/L BOX, CARD EXTENDER, WITH PIN PROTECTORS
FINISH	APPLICATION SPEC	SIZE D
WEIGHT		CAGE CODE 00779
		DRAWING NO 530761
		SCALE 5:1
		SHEET 1 OF 1