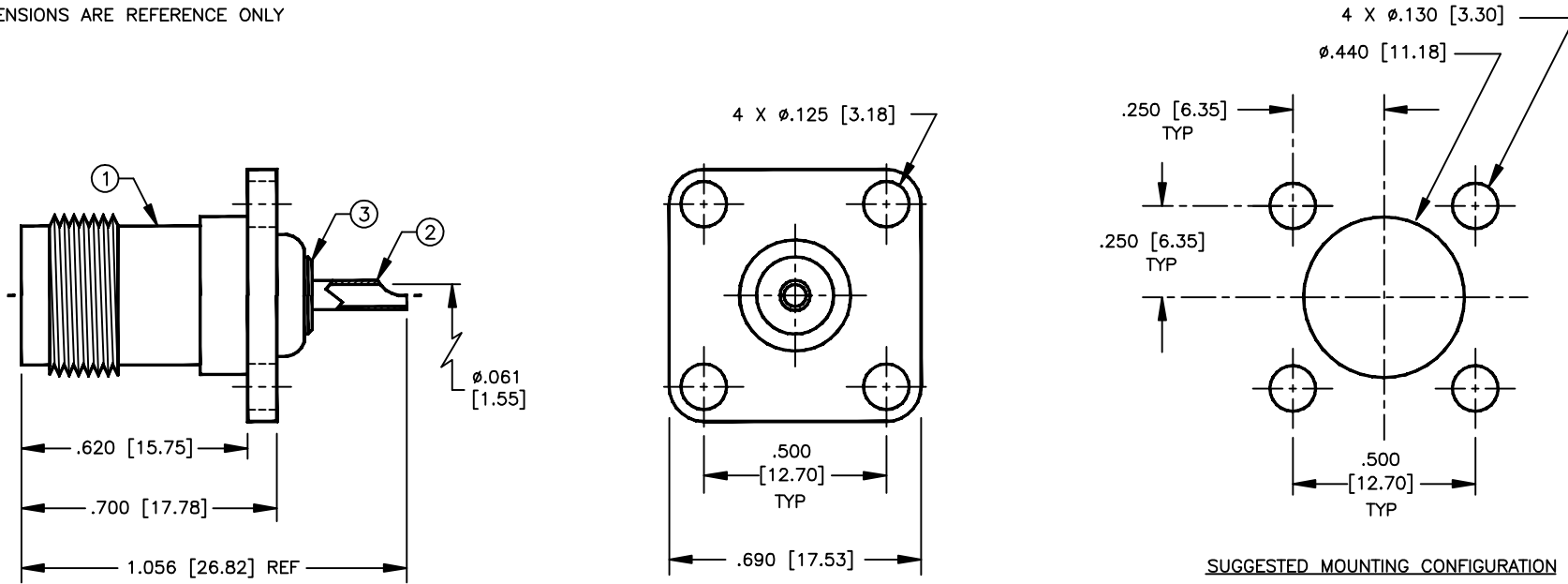


SPECIFICATION CONTROL DRAWING

THIS DRAWING CONTAINS INFORMATION PROPRIETARY TO RF INDUSTRIES, LTD. ANY UNAUTHORIZED USE OF THIS DRAWING IS EXPRESSLY PROHIBITED. ANY VIOLATION IS PUNISHABLE UNDER U.S. COPYRIGHT LAWS.

REV	DESCRIPTION	DWN	DATE	APPROVED
A	ENGINEERING RELEASE	KMM	12/6/89	J. BENZ
B	CREATE SECTION DRAWING	KMM	4/12/96	R. RICE
C	CHANGE CONTACT BARBS CONFIGURATION	CZS	9/14/98	R. RICE

ALL DIMENSIONS ARE REFERENCE ONLY



000000

SPECIFICATIONS:

IMPEDANCE: 50 OHMS
 WORKING VOLTAGE: 500 VRMS @ SEA LEVEL
 FREQUENCY RANGE: 0-7 GHz
 INTERFACE PER MIL-STD-348A, SECTION 313.2

DIMENSIONS ARE IN INCHES AND [MILLIMETERS]

UNLESS OTHERWISE NOTED TOLERANCES ARE:
 DECIMALS DIAMETER

DRAWN	C. ZUNIGA	9/14/98
CHECKED		
ORJ DRAWN	K. MAXWELL	12/6/89
APPROVALS		DATE

RFconnectors
 DIVISION OF RF INDUSTRIES, LTD.

7610 MIRAMAR RD
 SAN DIEGO, CA 92126
 (619)549-6340
 (619)549-6345 FAX

RFT-1210

TNC FEMALE 4 HOLE FLANGE

SIZE	CABLE GROUP	DWG NO.	REV
A	N/A	7611	C
SCALE:	2:1	CAD FILE	13ARC B
			SHEET 1 OF 1

ITEM	DESCRIPTION	QTY	MATERIAL	FINISH
3	DIELECTRIC	1	PTFE	NONE
2	CONTACT	1	BRASS	GOLD
1	BODY	1	BRASS	NICKEL