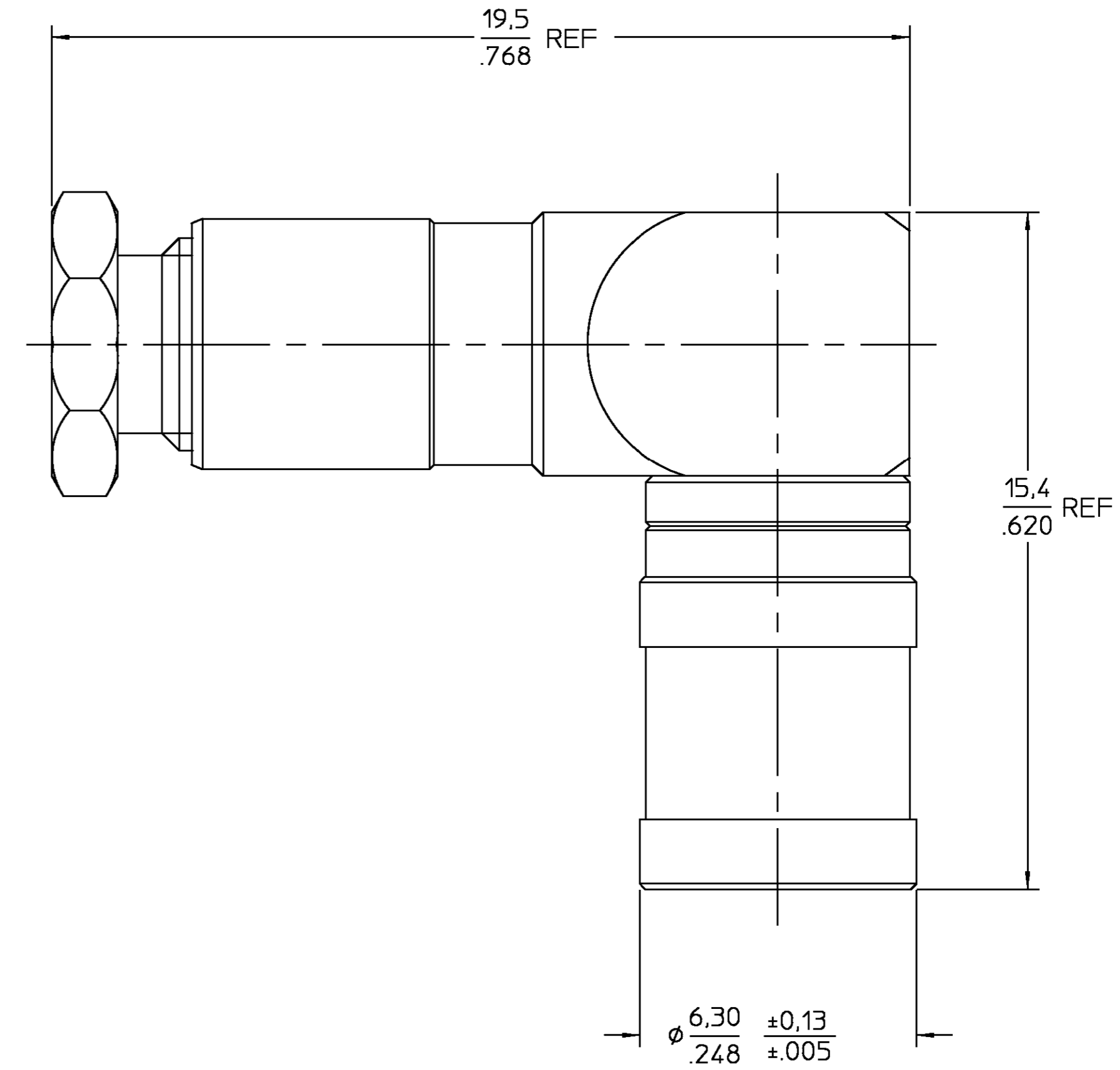
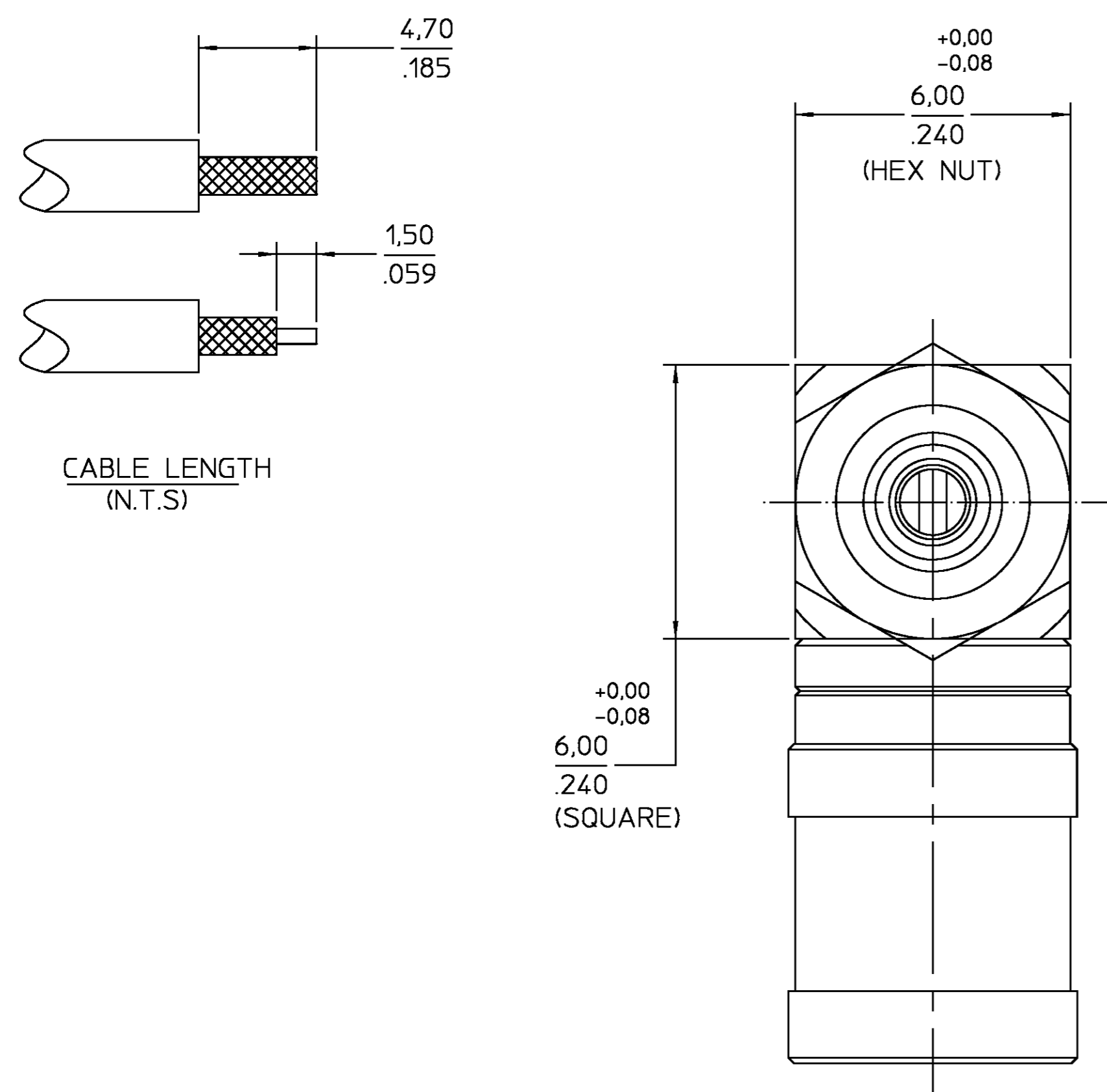


4 3 2 1

THIS DRAWING IS UNPUBLISHED. RELEASED FOR PUBLICATION
 © COPYRIGHT - BY TYCO ELECTRONICS CORPORATION. ALL RIGHTS RESERVED.

LOC	DIST	REVISIONS					
HC	00	P	LTR	DESCRIPTION	DATE	DWN	APVD
		0		RELEASE	06/18/01	VM	RR 08/27/01



CABLE LENGTH
(N.T.S)

COMPONENT	MATERIAL	FINISH
CLAMP NUT RETAINING RINGS PLUG HOUSING EXTRA HOUSING SLEEVES	BRASS PER ASTM-B-16, HALF HARD	GOLD PLATE PER MIL-G-45204
RETAINING RING FEMALE CONTACT	BERYLLIUM COPPER PER ASTM-B-196 OR ASTM-B-197, ALLOY C17300 COND H	
GASKET	SILICONE RUBBER PER ZZ-R-65	N/A
DIELECTRIC	PTFE FLUOROCARBON PER ASTM-D-1457	

NOTES:
1. INSTRUCTION SHEET 408-8555

TM 3306, RG 174A/U, RG 188A/U, RG 316/U	1310818-1
CABLE TYPE	PART #

THIS DRAWING IS A CONTROLLED DOCUMENT.		DWN CPC 01-12-90	AMP Tyco Electronics Corporation Waltham MA. 02451-7599	
DIMENSIONS: MM/INCHES	TOLERANCES UNLESS OTHERWISE SPECIFIED:	CHK A. SMITH 01-12-90	NAME (B65B02G022X)	
± 0.20 MM ± 0.008 IN		APVD A. SMITH 01-12-90	PRODUCT SPEC SMB FEMALE ELBOW PLUG	
ANGLES $\pm 1^\circ$		APPLICATION SPEC -	SIZE A2	CAGE CODE 26805
		WEIGHT -	DRAWING NO 1310818	RESTRICTED TO -
		CUSTOMER DRAWING	SCALE 10:1	SHEET 1 OF 1
			REV 0	