

FEATURES

- automatic cable equalization
- typically greater than 350 m of high quality cable at 270 Mb/s
- capability to drive 50 Ω loads (to V_{TT})
- elimination of differential feedback circuit used on GS9004A
- improved jitter response vs cable length
- fully compatible with SMPTE 259M and operational to 400 Mb/s
- signal strength indicator
- output 'eye' monitor
- 14 pin SOIC packaging
- single +5 or -5 volt power supply operation

APPLICATIONS

- Front-end cable equalization for digital video systems
- Input equalization for serial digital distribution amplifiers, routers, production switchers and other receiving equipment

ORDERING INFORMATION

Part Number	Package Type	Temperature Range
GS9004BCKB	14 pin SOIC	0°C to 70°C
GS9004BCTB	14 pin SOIC Tape	0°C to 70°C

DEVICE DESCRIPTION

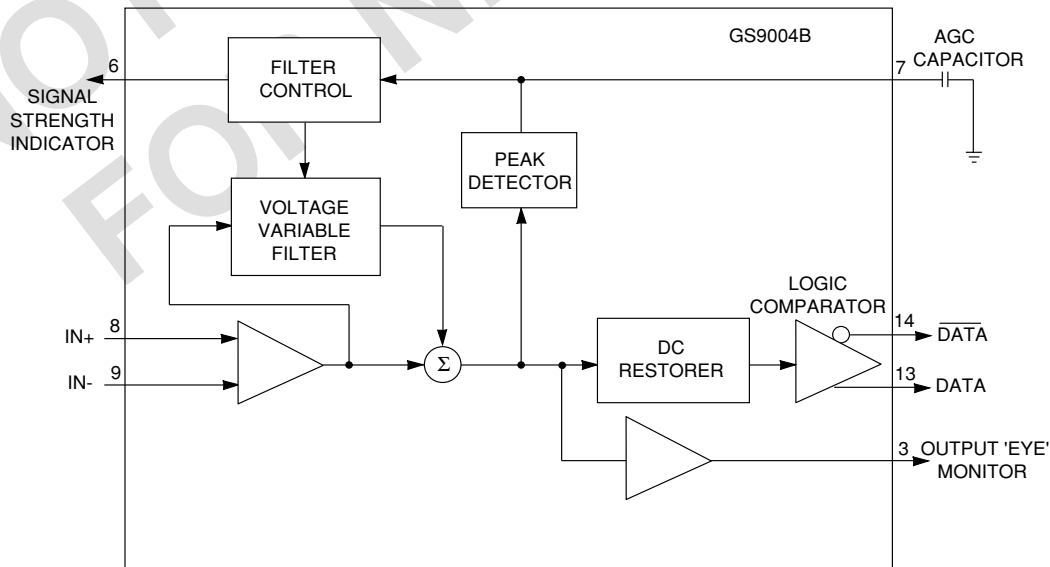
The Gennum GS9004B is an improved monolithic automatic cable equalizer developed for SMPTE/EBU scrambled NRZI Serial Digital Video signals.

While there are no plans to discontinue the GS9004B, Gennum has developed a successor product with improved features and performance called the GS9024. The GS9024 is recommended for new designs.

This device features DC restoration to pass the Pathological Test Signals and fully automatic equalization in order to meet the SMPTE 259M Serial Interface Standard. The DATA and $\overline{\text{DATA}}$ outputs typically deliver 800 mV (p-p) equalized signals into 50 Ω loads (to V_{TT}). These signals can be used to feed cable driver circuits for Serial Distribution Amplifier applications.

This device also incorporates an analog signal strength indicator (SSI) which provides a 0.5 V to 0 V output relative to V_{CC} , indicating the amount of equalization being applied to the signal.

The GS9004B features an OUTPUT 'EYE' MONITOR (OEM), which allows verification of signal integrity after equalization, prior to reslicing. Operating with a single +5 or -5 volt supply, the GS9004B typically draws 52 mA of current.

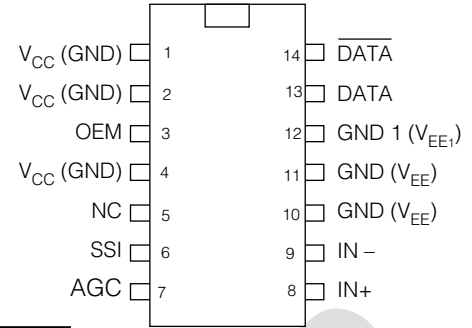


FUNCTIONAL BLOCK DIAGRAM

ABSOLUTE MAXIMUM RATINGS

PARAMETER	VALUE
Supply Voltage (V_S)	5.5 V
Input Voltage Range (any input)	$V_{CC}+0.5$ to $V_{EE} -0.5$ V
DC Input Current (any one input)	10 mA
Power Dissipation	500 mW
Operating Temperature Range	$0^{\circ}\text{C} \leq T_A \leq 70^{\circ}\text{C}$
Storage Temperature Range	$-65^{\circ}\text{C} \leq T_S \leq 150^{\circ}\text{C}$
Lead Temperature (soldering, 10 sec)	260°C

GS9004B PIN CONNECTIONS



PIN DESCRIPTIONS (I = INPUT, O = OUTPUT, S = SUPPLY function)

PIN NO.	SYMBOL	I/O	DESCRIPTION
1	V_{CC} (GND)	S	Most positive supply voltage (ECL outputs)
2	V_{CC} (GND)	S	Most positive supply voltage (DC Restore/Eye Monitor)
3	OEM	O	Output 'Eye' Monitor
4	V_{CC} (GND)	S	Most positive supply voltage (Equalizer)
5	NC		No Connection
6	SSI	O	Signal Strength Indicator
7	AGC	I	AGC capacitor connection
8	IN+	I	Non-inverting signal
9	IN-	I	Inverting signal
10	$\text{GND}(V_{EE})$	S	Most negative supply voltage
11	$\text{GND}(V_{EE})$	S	Most negative supply voltage
12	$\text{GND}1(V_{EE1})$	S	Most negative supply voltage for EYE MONITOR
13	DATA	O	DATA (true)
14	$\overline{\text{DATA}}$	O	DATA (inverse)

GS9004B DC ELECTRICAL CHARACTERISTICS Conditions: $V_S = 5$ V, $T_A = 0^{\circ}$ to 70°C , $R_L = 100 \Omega$, to $(V_{CC} - 2)$ volts, unless otherwise shown.

PARAMETER	SYMBOL	CONDITIONS	MIN	TYP	MAX	UNITS	NOTES
Supply Voltage	V_S	Operating Range	4.75	5.0	5.25	V	
Power Consumption	P_D		-	285	360	mW	
		With MONITOR active	-	330	415	mW	
Supply Current	I_S		-	52	72	mA	
		With MONITOR active	-	60	83	mA	
Serial Data Output - High - Low	$V_{OH \text{ MIN}}$	$T_A = 25^{\circ}\text{C}$	-1.025	-	-0.88	V	with respect to V_{CC}
	$V_{OL \text{ MAX}}$	$T_A = 25^{\circ}\text{C}$	-1.8	-	-1.6	V	with respect to V_{CC}

GS9004B AC ELECTRICAL CHARACTERISTICS Conditions: $V_S = 5$ V, $T_A = 0^{\circ}$ to 70°C , $R_L = 100 \Omega$, to $(V_{CC} - 2)$ volts, unless otherwise shown.

PARAMETER	SYMBOL	CONDITIONS	MIN	TYP	MAX	UNITS	NOTES
Output Signal Swing	V_O	$T_A = 25^{\circ}\text{C}$	700	800	900	mV	
Input Resistance(IN+, IN-)	R_{IN}		4k	5k	-	Ω	see fig. 8
Input Capacitance(IN+, IN-)	C_{IN}	$T_A = 25^{\circ}\text{C}$	-	1.3	-	pF	see fig. 8
Output 'Eye' Monitor	V_{OEM}	$R_L = 50\Omega$, To V_{CC}	-	40	-	mV p-p	
Signal Strength Output	V_{SS}		4.4	-	5	V	see Fig. 5
GS9004B GAIN	A_V	$T_A = 25^{\circ}\text{C}$ $f = 135$ MHz	33	36	-	dB	see Fig. 4
JITTER (Added) 270Mb/s	t_j	$T_A = 25^{\circ}\text{C}$, 300m of 8281 cable.	-	650	-	ps p-p	Test setup 1 see Fig. 7

GS9004B CABLE EQUALIZER - DETAILED DEVICE DESCRIPTION

The GS9004B Cable Equalizer is a bipolar integrated circuit used to equalize SMPTE 259M signals from a co-axial cable. The device is implemented as a fourteen pin SOIC, powered from a single five volt supply. With an operating frequency up to 400 Mb/s, the equalizer consumes about 285 mW of power.

The Serial Digital signal is connected to the input (pins 8, 9) either differentially or single ended with the unused input being decoupled. The equalized signal is generated by passing the cable signal through a voltage variable filter having a characteristic which closely matches the inverse cable loss characteristic. Additionally, the variation of the filter characteristic with control voltage is designed to imitate the variation of the inverse cable loss characteristic as the cable length is varied.

The amplitude of the equalized signal is monitored by a peak detector circuit which produces an output current with a polarity corresponding to the difference between the desired peak signal level and the actual peak signal level.

This output is integrated by an external AGC filter capacitor (AGC CAP pin 7), providing a steady control voltage for the voltage variable filter.

A separate signal strength indicator output, (SSI pin 6), proportional to the amount of AGC, is also provided. As the filter characteristic is varied automatically by the application of negative feedback, the amplitude of the equalized signal is kept at a constant level which is representative of the original amplitude at the transmitter.

The equalized signal is then DC restored, effectively restoring the logic threshold of the equalized signal to its correct level irrespective of shifts due to AC coupling.

As the final stage of signal conditioning, a comparator converts the analog output of the DC restorer to a regenerated digital output signal having pseudo-ECL voltage levels. These outputs, DATA and $\overline{\text{DATA}}$, are available from pins 13 and 14 respectively.

An OUTPUT 'EYE' MONITOR (pin 3) allows verification of signal integrity after equalization, prior to reslicing.

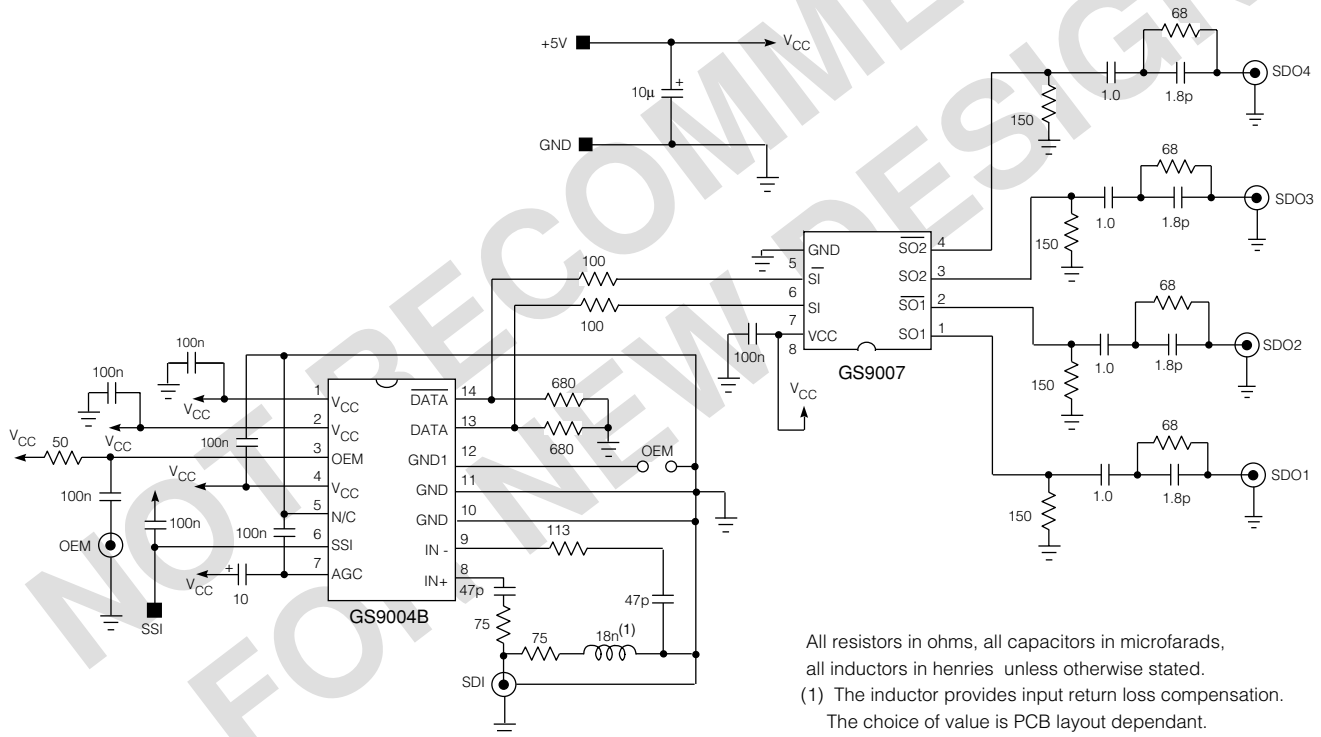


Fig. 1 Test Circuit

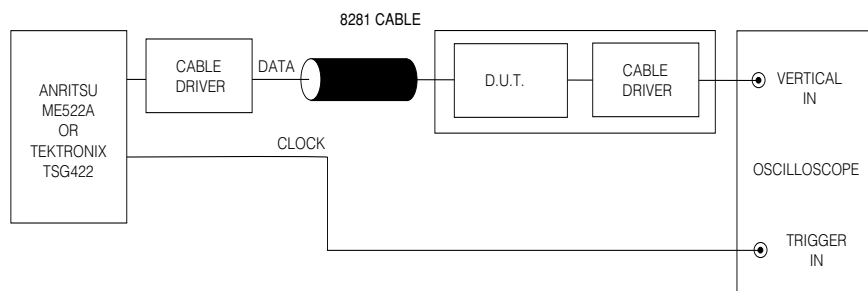


Fig. 2 Test Set-up 1

TYPICAL PERFORMANCE CURVES (unless otherwise shown $V_S = 5V$, $T_A = 25^\circ C$)

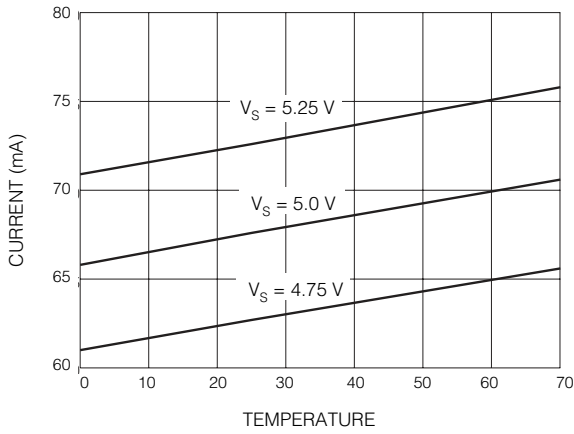


Fig. 3 Supply Current vs Temperature

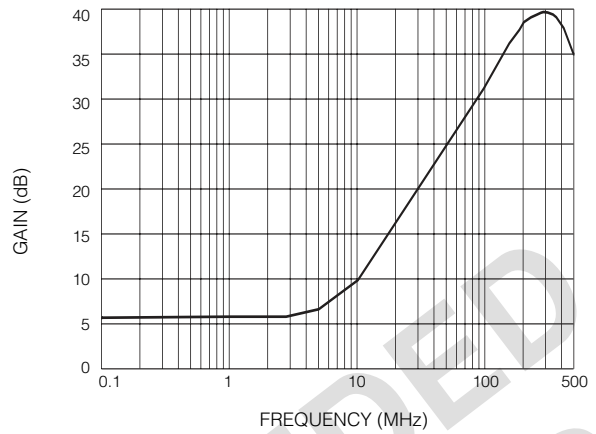


Fig. 4 Equalizer Gain vs Frequency

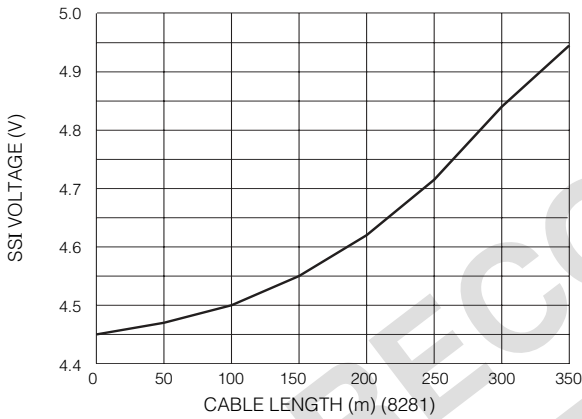


Fig. 5 Signal Strength Output Voltage vs Input Cable Length

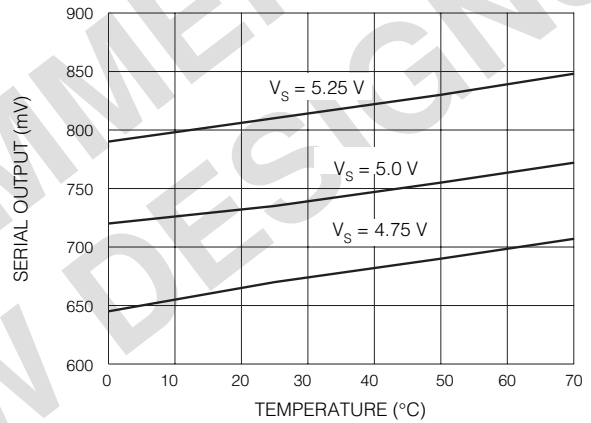


Fig. 6 Data and Data Output Voltage vs Temperature

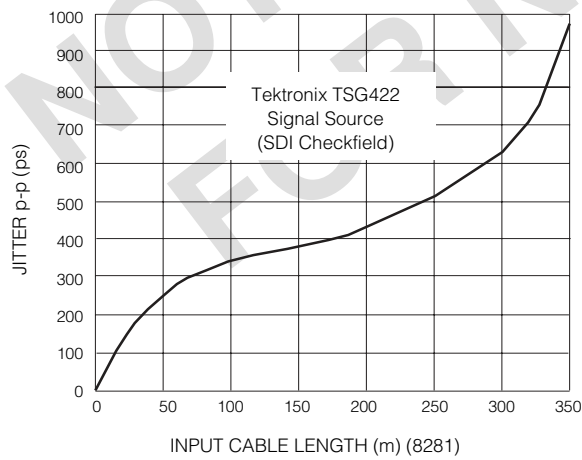


Fig. 7 Additive Jitter vs Input Cable Length at 270 Mb/s

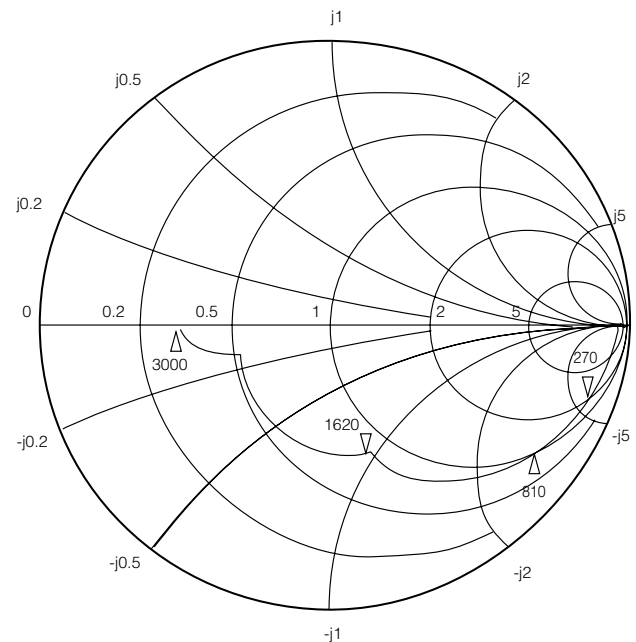
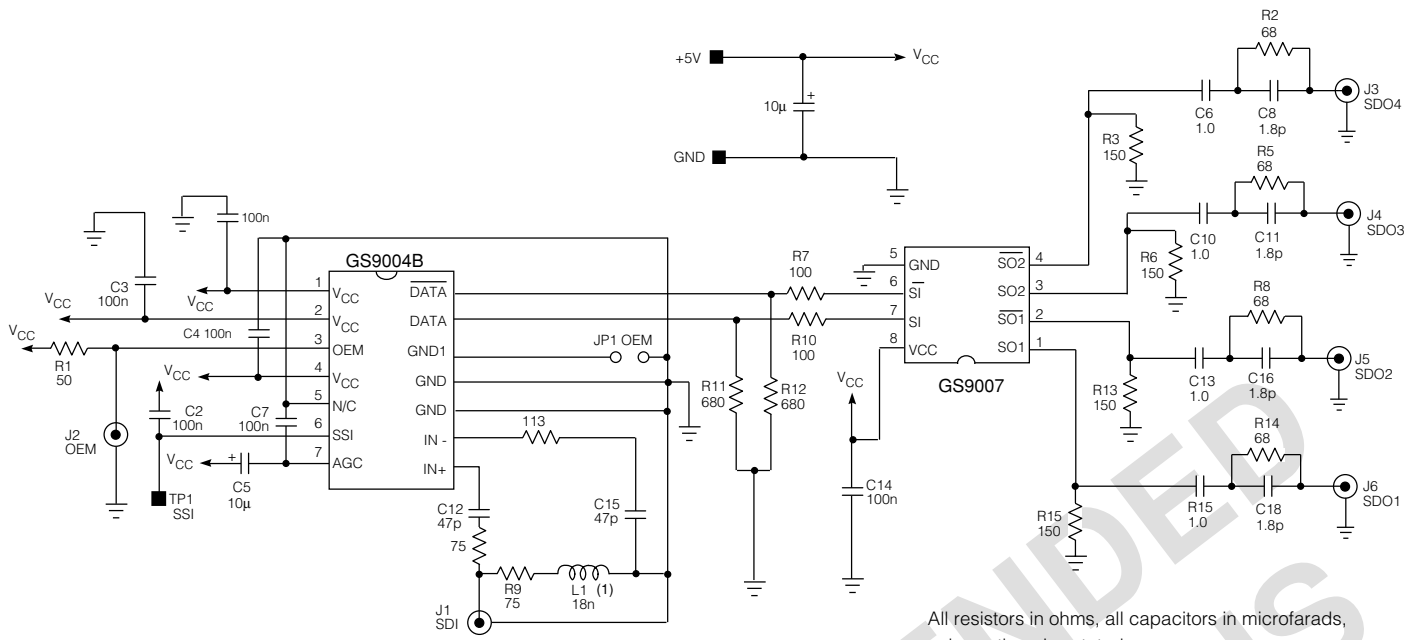


Fig. 8 Equalizer Input Impedance
Frequencies in MHz, impedances normalized to 50 Ω.



All resistors in ohms, all capacitors in microfarads, unless otherwise stated.

(1) L1 provides input return loss compensation.

The choice of value is PCB layout dependant.

Fig. 9 Typical Application Circuit

APPLICATIONS

For information on PCB layout for the GS9004B, please refer to document number 521 - 46 - 01 "EB9004/7A Non - Reclocking Equalizer Evaluation Board".

CAUTION
ELECTROSTATIC
SENSITIVE DEVICES
DO NOT OPEN PACKAGES OR HANDLE
EXCEPT AT A STATIC-FREE WORKSTATION



DOCUMENT IDENTIFICATION: DATA SHEET

The product is in production. Gennum reserves the right to make changes at any time to improve reliability, function or design, in order to provide the best product possible.

REVISION NOTES:

Watermark added.
For latest product information, visit www.gennum.com

GENNUM CORPORATION

MAILING ADDRESS:

P.O. Box 489, Stn. A, Burlington, Ontario, Canada L7R 3Y3
Tel. +1 (905) 632-2996 Fax +1 (905) 632-2814

SHIPPING ADDRESS:

970 Fraser Drive, Burlington, Ontario, Canada L7L 5P5

GENNUM JAPAN CORPORATION

C-101, Miyamae Village, 2-10-42 Miyamae, Suginami-ku, Tokyo 168-0081, Japan

Tel. +81 (3) 3334-7700 Fax: +81 (3) 3247-8839

GENNUM UK LIMITED

Centaur House, Ancells Business Park, Ancells Road, Fleet, Hampshire, UK GU13 8UJ

Tel. +44 (1252) 761 039 Fax +44 (1252) 761 114

Gennum Corporation assumes no responsibility for the use of any circuits described herein and makes no representations that they are free from patent infringement.

© Copyright September 1994 Gennum Corporation. All rights reserved.

Printed in Canada.