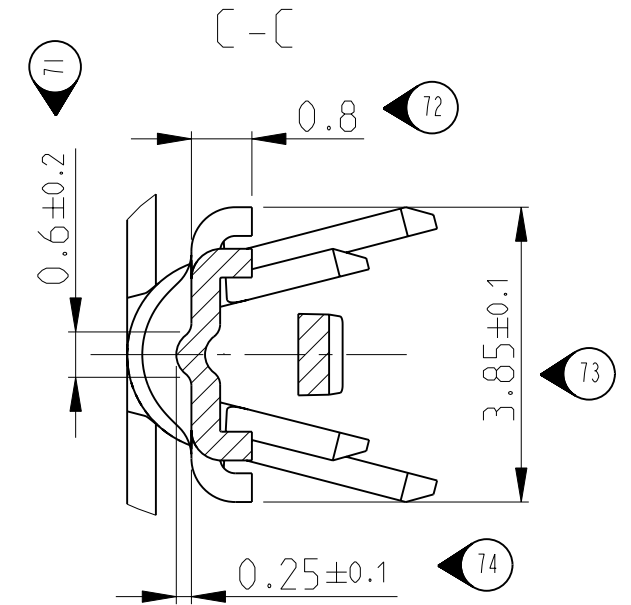
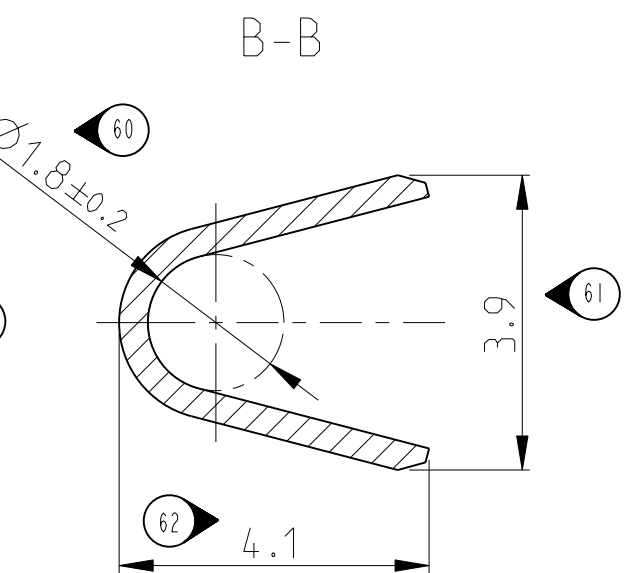
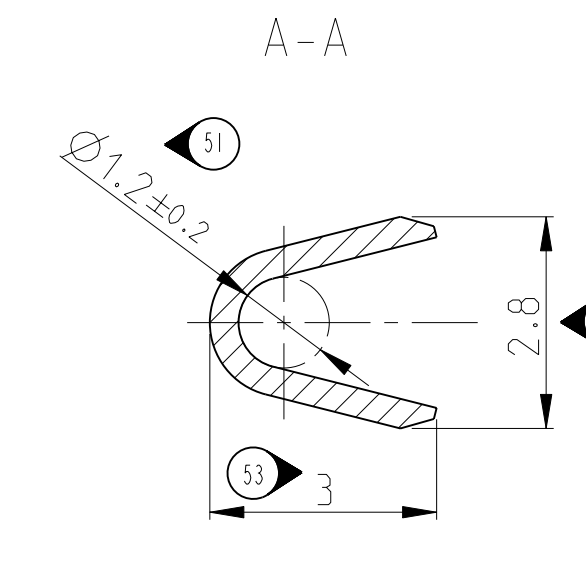
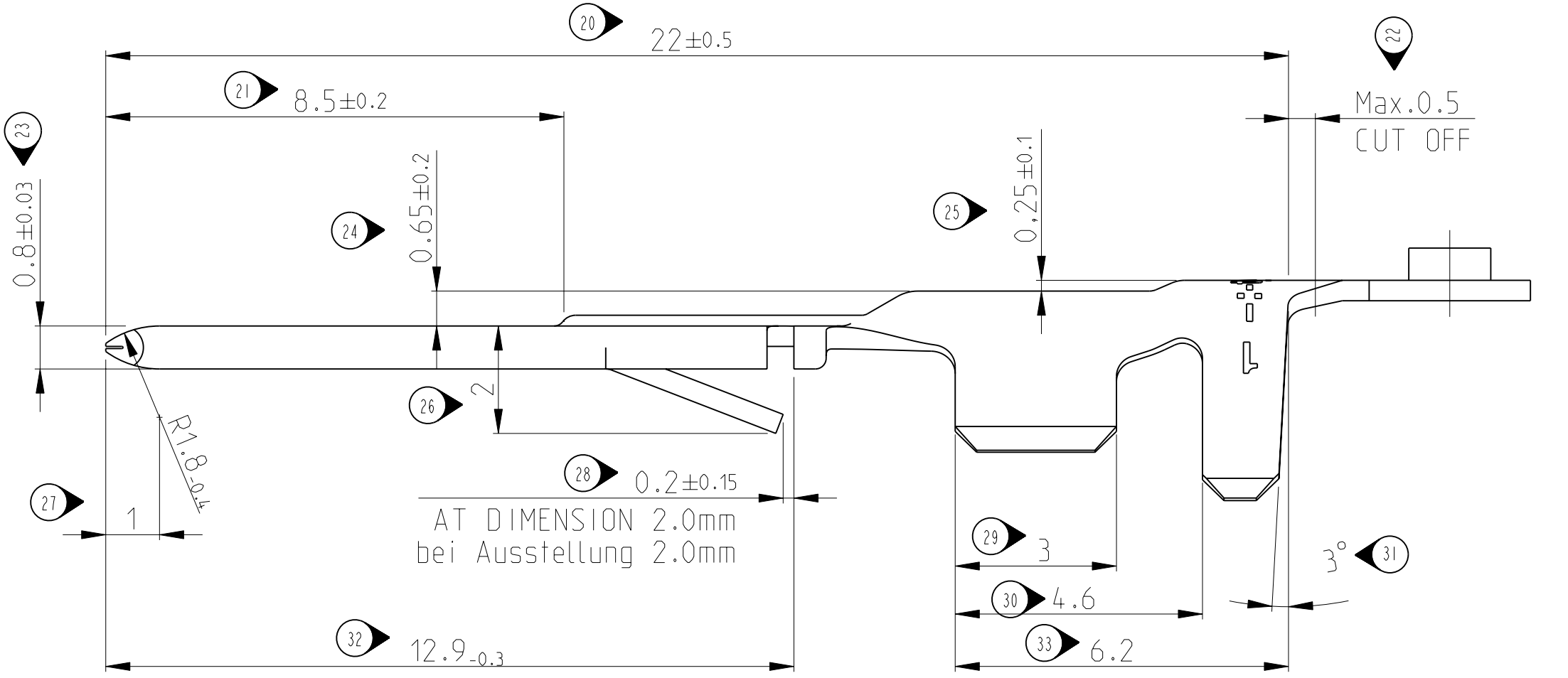
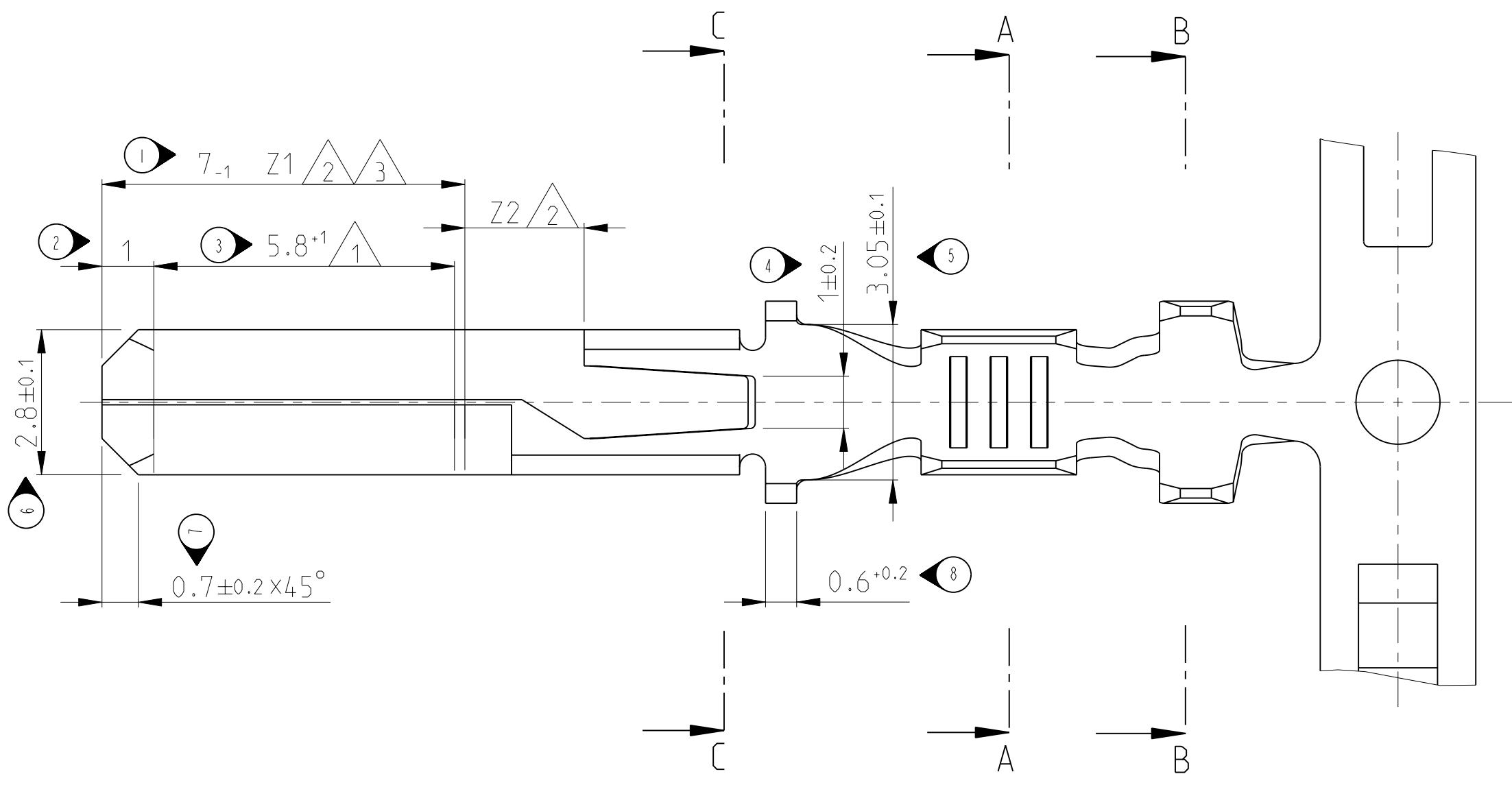


THIS DRAWING IS UNPUBLISHED. RELEASED FOR PUBLICATION 2008
 © COPYRIGHT 2008 BY TYCO ELECTRONICS CORPORATION. ALL RIGHTS RESERVED.

| LOC | DIST | REVISIONS | | | | | |
|-----|------|-----------|-----|-------------------|-----------|-----|------|
| | | P | LTR | DESCRIPTION | DATE | DWN | APVD |
| GT | - | C6 | | see ECR-08-023230 | 12SEP2008 | TK | TK |



- 80 \triangle 1 TAB THICKNESS 0.8 ± 0.03 AT MARKED LENGTH
Dicke 0.8 ± 0.03 auf gekennzeichnete Länge
- 81 \triangle 2 SELECTIVE GOLD PLATED VERSION;
AREA Z1: CONTACT AREA MIN. $0.8 \mu\text{m}$ ELECTRO DEPOSITED GOLD
OVER $1-3 \mu\text{m}$ ELECTRO DEPOSITED NICKEL
AREA Z2: GOLD-FLASH (cca $0.04 \mu\text{m}$) OVER NICKEL
CRIMP AREA: $0.8-2.3 \mu\text{m}$ ELECTRO DEPOSITED TIN OVER NICKEL

Ausführung 'selektiv vergoldet';
Bereich Z1: Kontakzone min. $0.8 \mu\text{m}$ galvanisch Gold
über $1-3 \mu\text{m}$ galvanisch Nickel
Bereich Z2: Gold-Flasch (cca $0.04 \mu\text{m}$) über Nickel
Crimp-Bereich: $0.8-2.3 \mu\text{m}$ galvanisch Zinn über Nickel
- 82 \triangle 3 SELECTIVE SILVER PLATED VERSION;
AREA Z1: CONTACT AREA MIN. $3 \mu\text{m}$ ELECTRO DEPOSITED SILVER
CRIMP AREA: min. $0.8 \mu\text{m}$ ELECTRO DEPOSITED TIN

Ausführung 'selektiv versilbert';
Bereich Z1: Kontakzone min. $3 \mu\text{m}$ galvanisch Silber
Crimp-Bereich: min. $0.8 \mu\text{m}$ galvanisch Zinn
- 4 WIRE SIZE RANGE/Drahtgrößenbereich: $0.5-1.0 \text{ mm}^2$
INSULATION \varnothing /Isolation \varnothing : $1.4-2.3 \text{ mm}$ FLR-wire/Leitung
WIRE/Leiter: F-Crimp
INSULATION/Isolation: OVL-Crimp
- 5 CORRESPONDING TABS FOR WIRE RANGE
Weitere Flachstecker für Drahtgrößenbereich
 $0.2-0.5 \text{ mm}^2$: 964131
 $>1.0-2.5 \text{ mm}^2$: 964133
- 6 \triangle TO BE REELED ON PLASTIC REEL
Spulen auf Kunststoffspule

| | | | | | |
|-------------------------------------|-------------------------|-------------|-------------------------|------------|---|
| 0-964141-2 | PRETINNED / vorverzinnt | CuSn4 R480 | \triangle 6 | 1-964132-2 | C |
| 0-964141-5 | SEL. SILVER PLATED | CuSn4 R480 | \triangle 3 | 0-964132-5 | C |
| 0-964141-4 | SEL. GOLD PLATED | CuSn4 R480 | \triangle 2 | 0-964132-4 | C |
| 0-964141-3 | PRETINNED / vorverzinnt | CuNiSi R460 | | 0-964132-3 | C |
| 0-964141-2 | PRETINNED / vorverzinnt | CuSn4 R480 | | 0-964132-2 | C |
| 0-964141-1 | PLAIN / blank | CuSn4 R480 | | 0-964132-1 | C |
| LOOSE PIECE No. Einzelausführung | FINISH Oberfläche | MATERIAL | PART No. Bestell-Nr. | REV | |

| DIMENSIONS: | | TOLERANCES UNLESS OTHERWISE SPECIFIED: | | DWN | Tyco Electronics | |
|-------------|-----------|--|---------------|------------------|------------------|---------------------------|
| mm | | 0 PLC | ± 0.3 | T. Konecny | 12SEP2008 | Tyco Electronics AMP GmbH |
| | | 1 PLC | ± 0.3 | CHK | 15SEP2008 | 64625 Bensheim (Germany) |
| | | 2 PLC | ± 0.3 | M. Pavlicek | | |
| | | 3 PLC | ± 0.3 | APVD | 16SEP2008 | |
| | | 4 PLC | ± 0.3 | T. Konecny | | |
| | | ANGLES | $\pm 3^\circ$ | PRODUCT SPEC | | |
| | | FINISH | | APPLICATION SPEC | | |
| MATERIAL | see table | | | 114-18014 | | |
| | | | | WEIGHT | | |
| | | | | CUSTOMER DRAWING | | |
| | | | | SCALE | 10:1 | |
| | | | | SHEET | 1 of 1 | |
| | | | | REV | C6 | |