

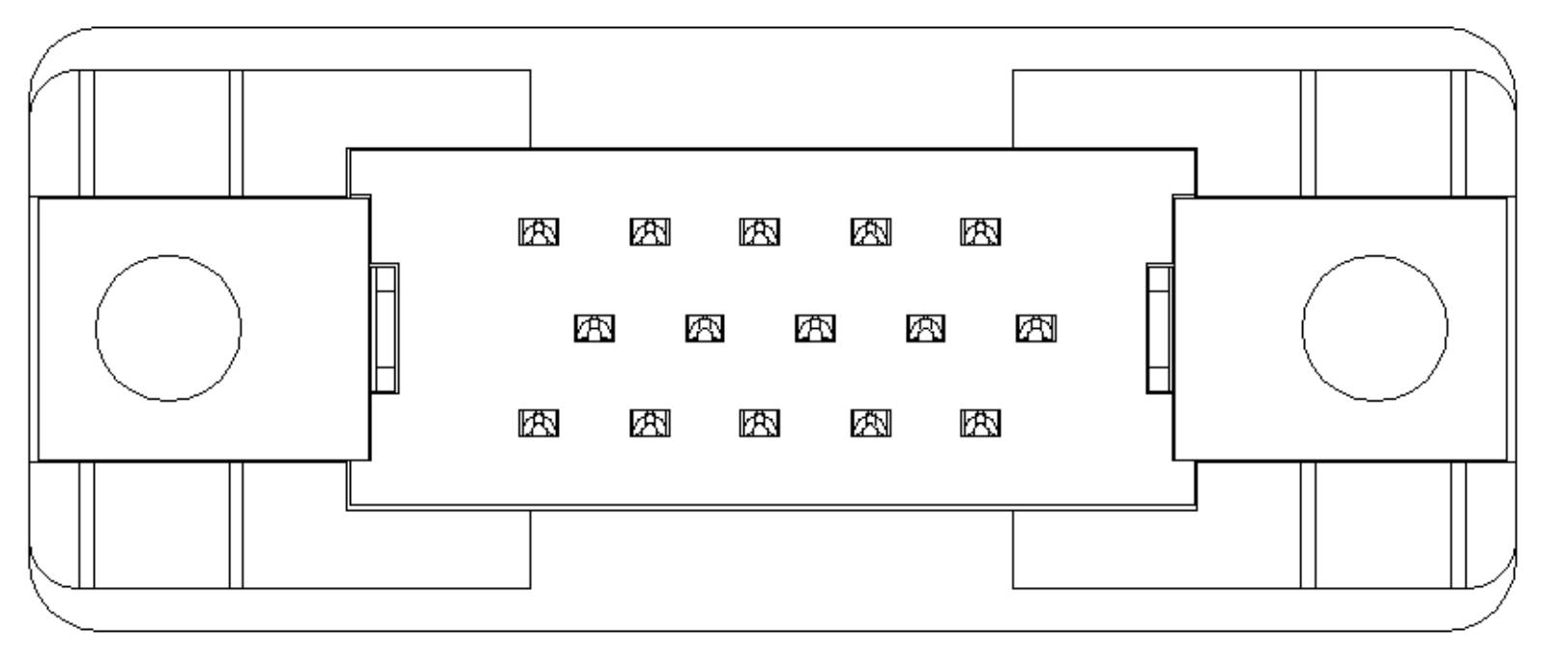
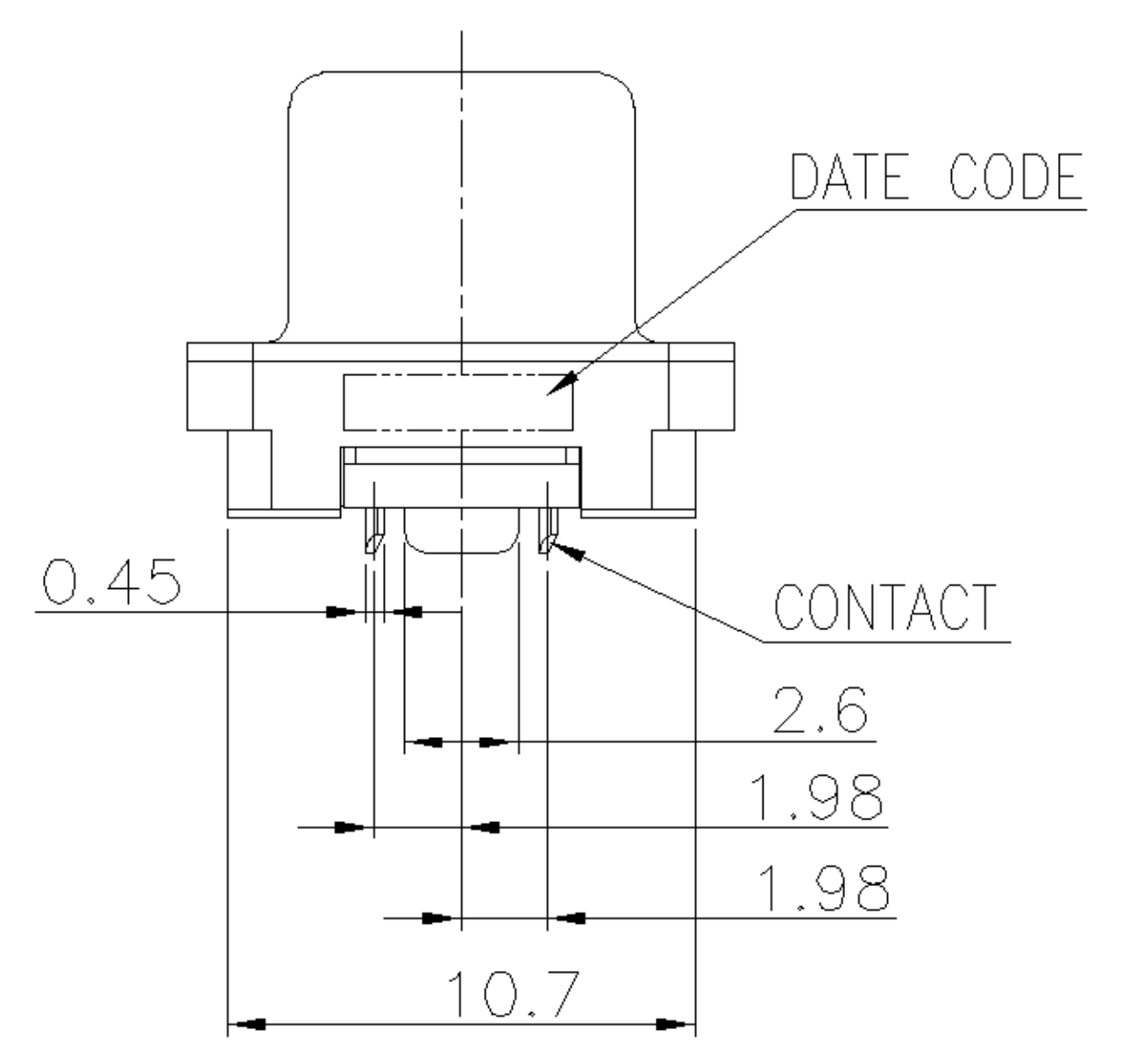
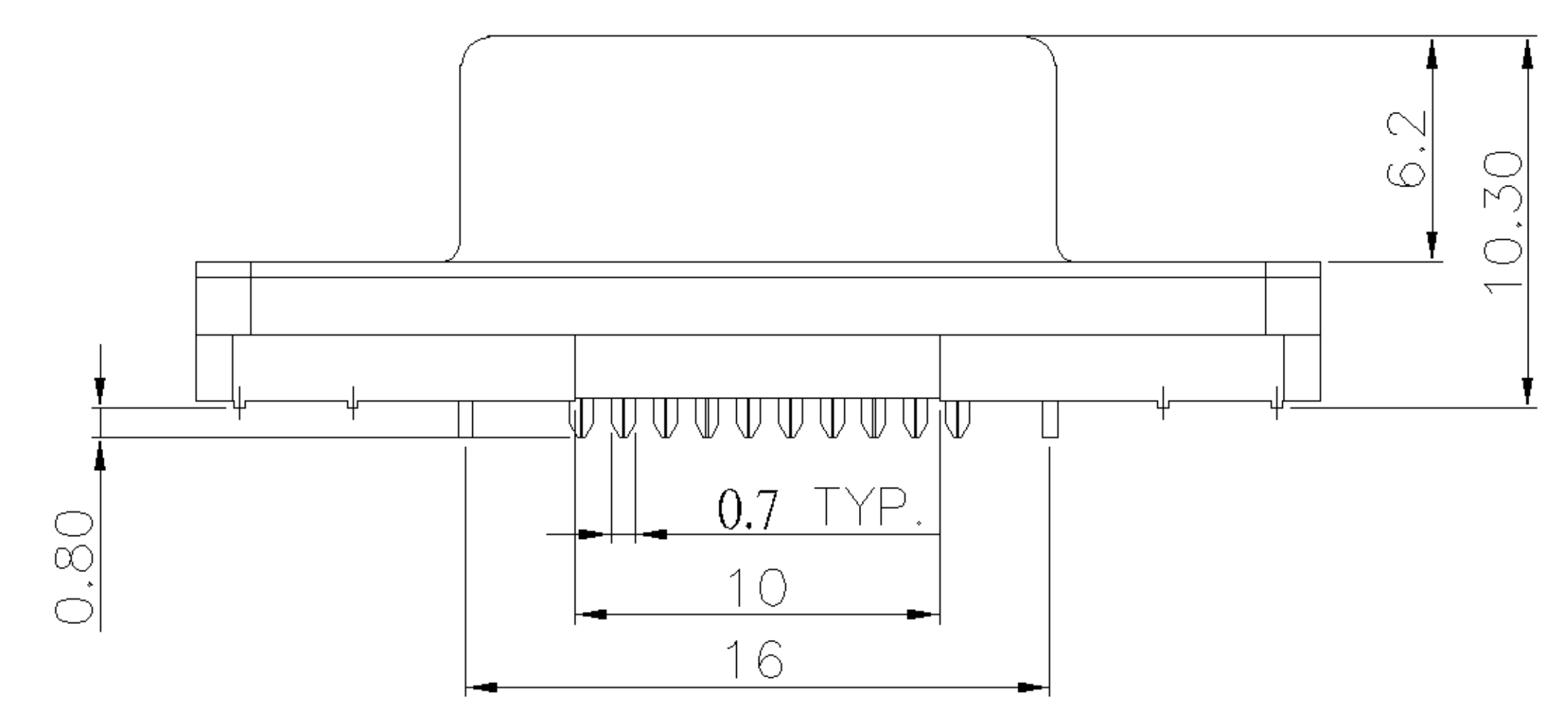
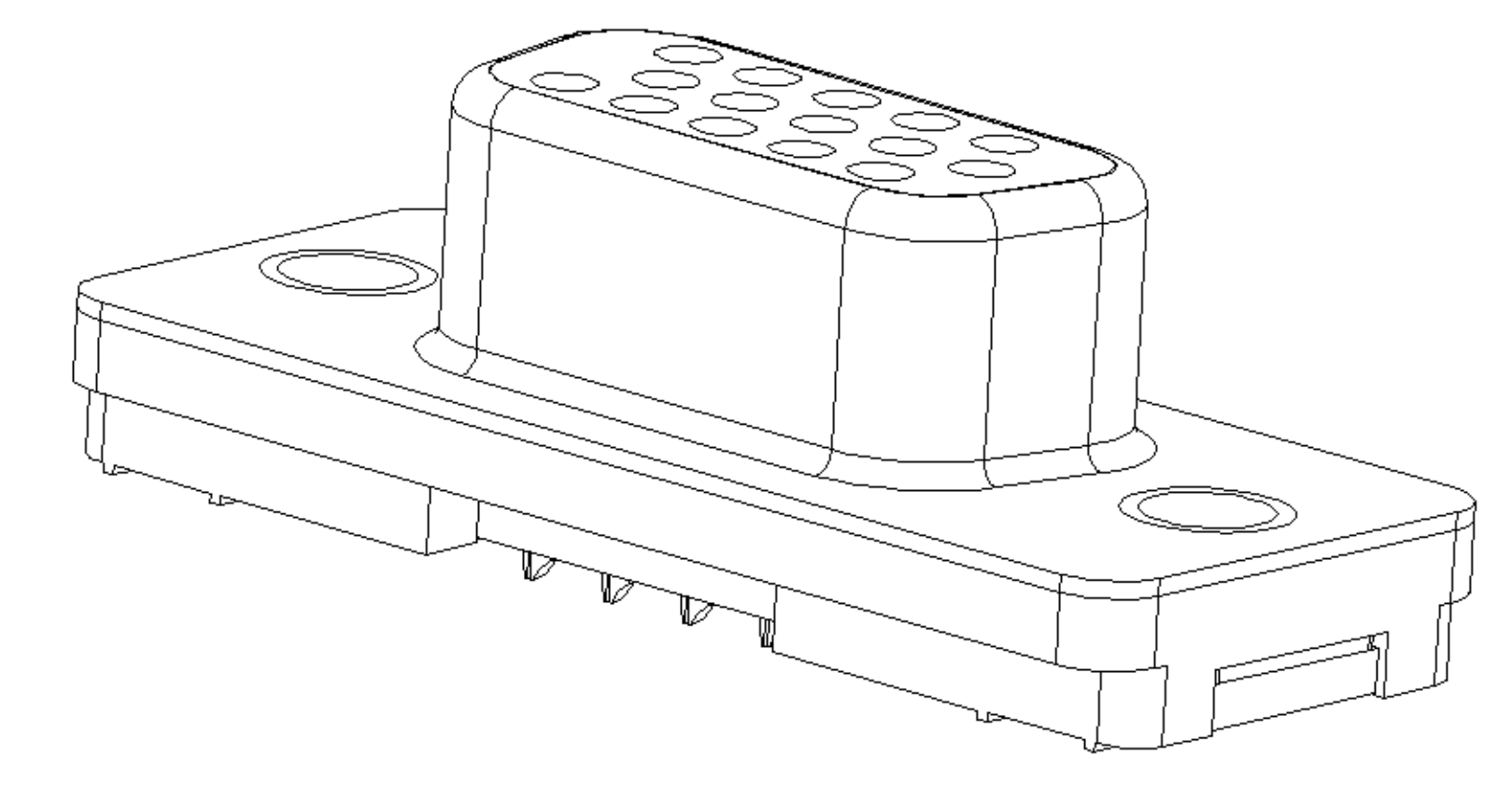
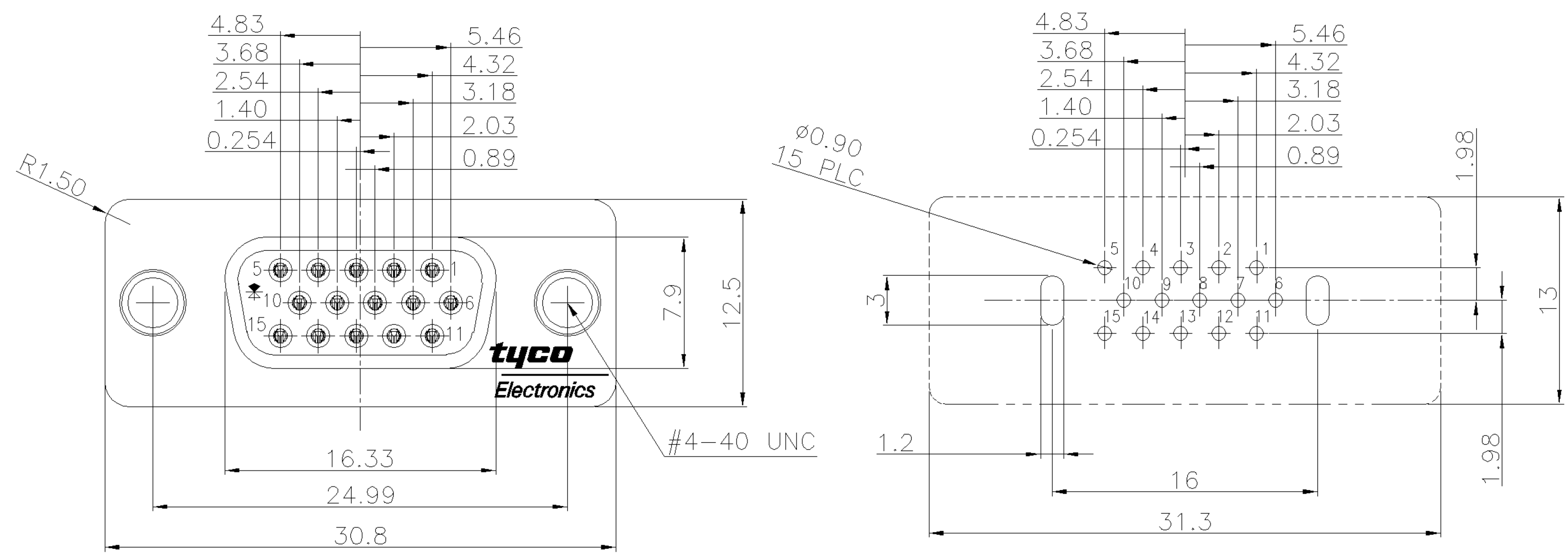
NUMBER C-1734608

3RD ANGLE PROJECTION

METRIC

THIS INFORMATION IS CONFIDENTIAL AND IS DISCLOSED TO YOU ON CONDITION THAT NO FURTHER DISCLOSURE IS MADE BY YOU TO OTHER THAN AMP PERSONNEL WITHOUT WRITTEN AUTHORIZATION FROM AMP (TAIWAN) LTD. DIMENSIONS IN MILLIMETERS. DO NOT SCALE PRINT.

PRINT DIST DW



NOTES:

1. MATERIAL:
  - 1.1. HOUSING&COVER: HIGHT TEMP,THERMO PLASTIC UL94V-0, COLOR: BLACK
  - 1.2. CONTACT: PHOSPHOR BRONZE
  - 1.3. SHELL: CARBON STEEL
  - 1.4. THREAD INSERT: BRASS
2. FINISH:
  - 2.1. CONTACT:15u"MIN GOLD PLATING ON CONTACT AREA, 100u"MATTE TIN ON SOLDER TAIL. 50~80u"NICKEL PLATING OVER ALL.
  - 2.2. SHELL:50~80u"NICKEL
  - 2.3. THREAD INSERT:50~80u"NICKEL
3. APPLIED TO IR SOLDERING PROCESS

1734608-1  
PART NUMBER

A	REVISED	FZ00-0028-05	SH WK	06MAY 2005
O	FIRST RELEASED	FZ00-0265-04	SH WK	12NOV 2004
LTR	REVISION RECORD	ECN	DWN CHK	DATE

TOLERANCES UNLESS OTHERWISE SPECIFIED: 0 PLC ±0.30 1 PLC ±0.30 2 PLC ±0.30 3 PLC ±0.30 ANGLES ±3°		DWN S. HOU 06-MAY-2005		TYCO HOLDINGS (BERMUDA) VII LTD. TAIWAN BRANCH	
MATERIAL SEE NOTE		CHK W.J. KE 06-MAY-2005		NAME D-SUB 15P V/T, DIP TYPE	
FINISH SEE NOTE		APVD W.J. KE 06-MAY-2005	PRODUCT SPEC 108-57283		
		QUALIFICATION TEST REPOERT 501-57312	LOC DW	SIZE A <sub>3</sub>	DRAWING NO C-1734608
		WEIGHT 4.45 GRAM	SCALE --		SHEET 1 OF 2

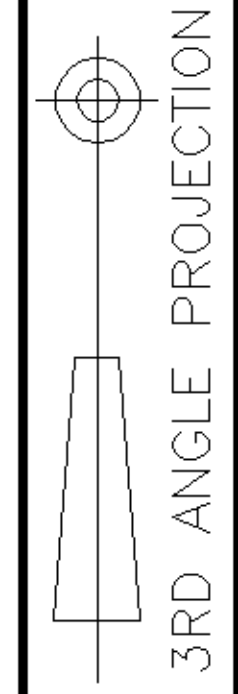
CUSTOMER DRAWING

8 | 7 | 6 | 5 | 4 | 3 | 2 | 1

THIS INFORMATION IS CONFIDENTIAL AND IS DISCLOSED TO YOU ON CONDITION THAT YOU WILL NOT DISCLOSE IT TO OTHER THAN AMP PERSONNEL WITHOUT WRITTEN AUTHORIZATION FROM AMP (TAIWAN) LTD. DIMENSIONS IN MILLIMETERS. DO NOT SCALE PRINT.

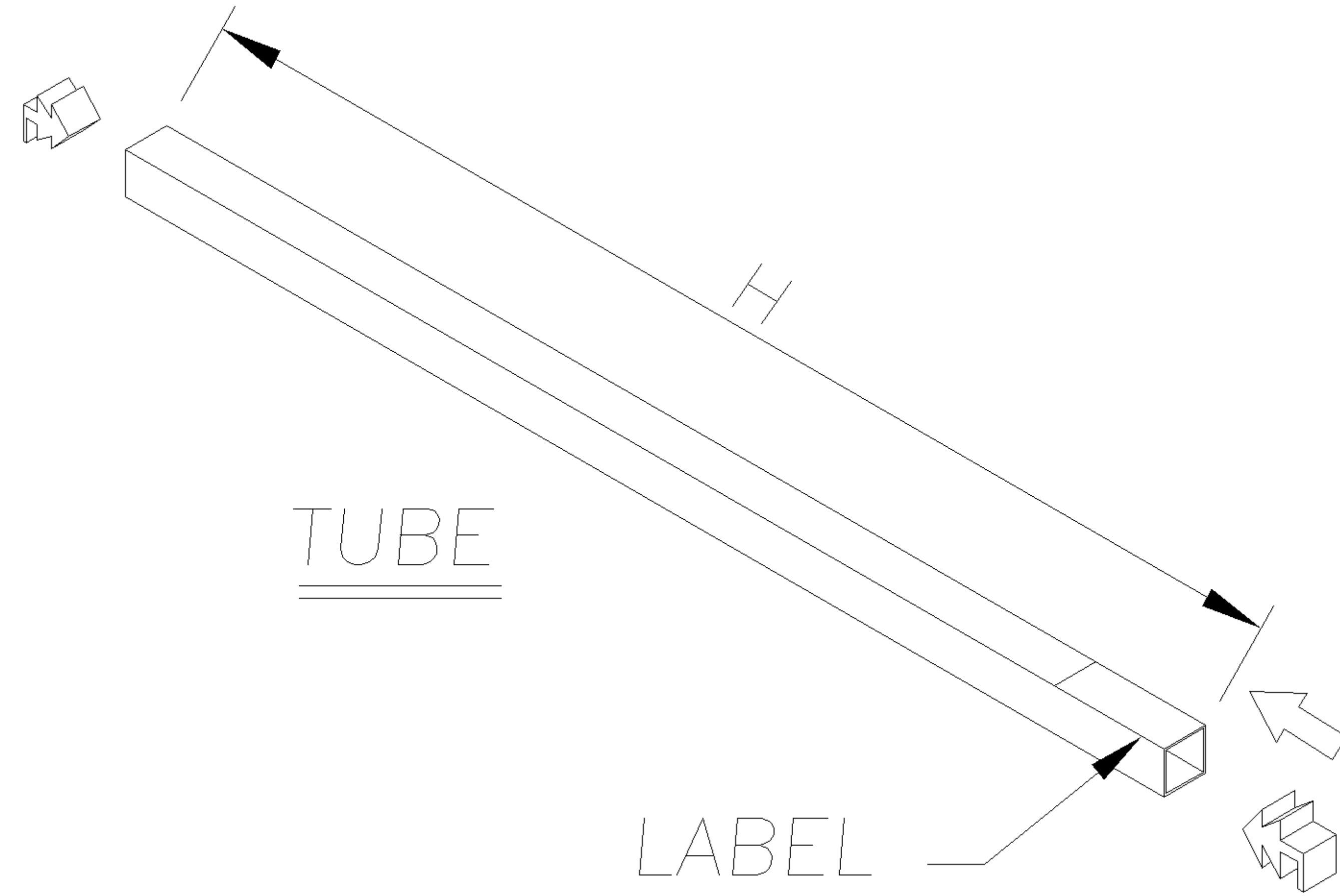
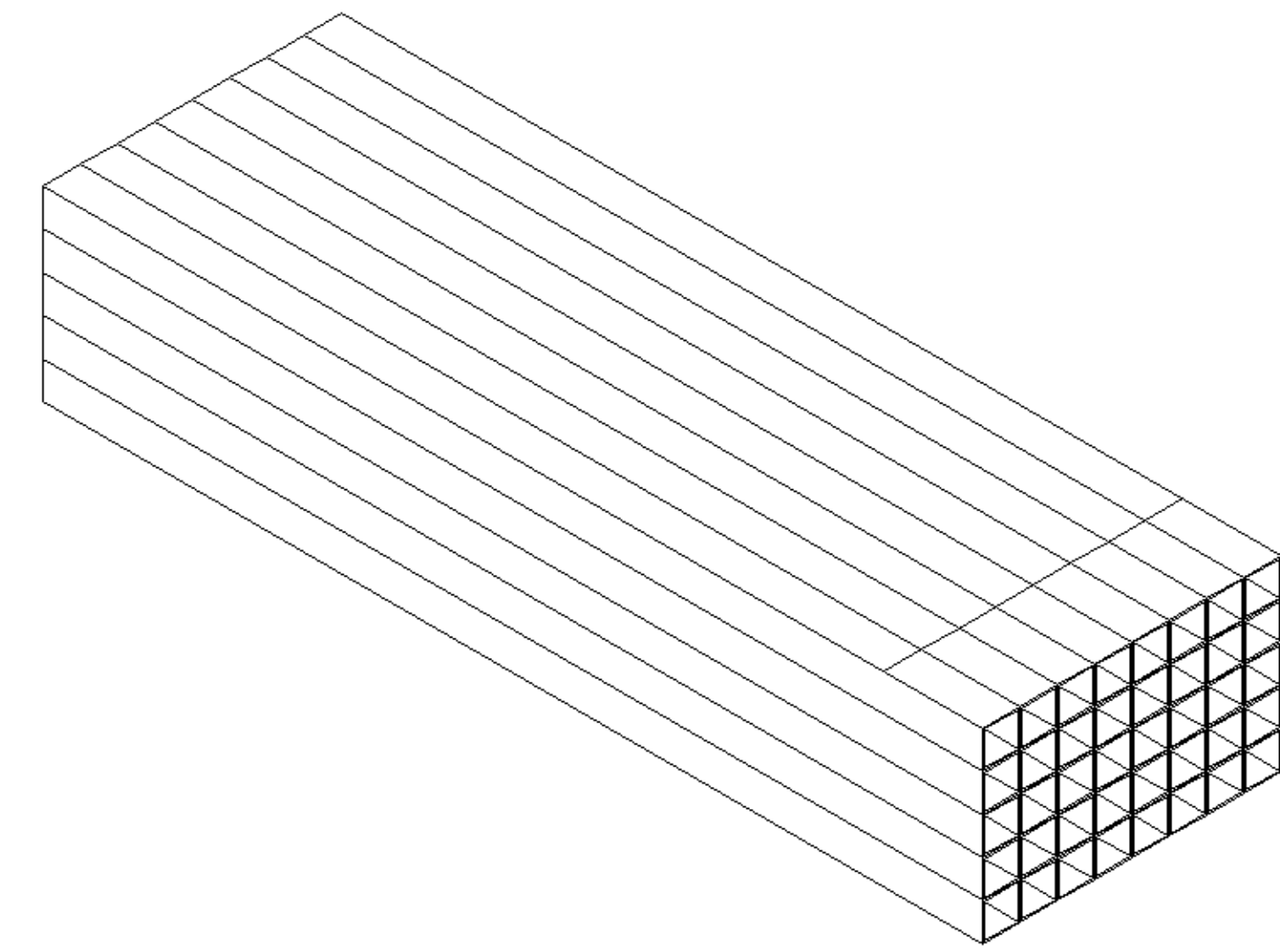
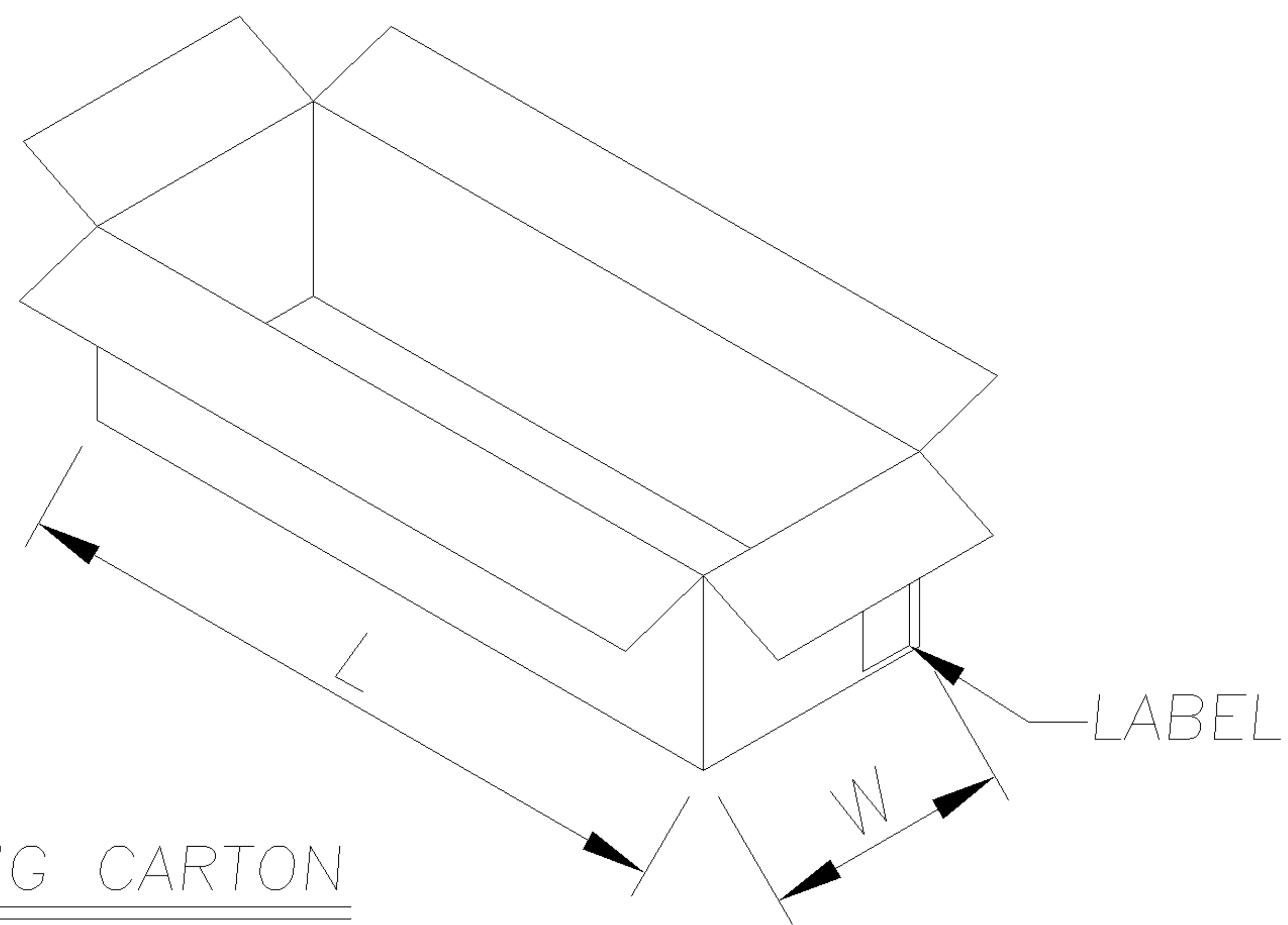
PRINT DIST  
DW

METRIC



NUMBER  
C-1734608

SHIPPING CARTON



NOTE:

1. MATERIAL :
  - 1.1 TUBE : PVC
  - 1.2 SHIPPING CARTON : CORRUGATED FIBER
2. DIMENSION:
  - 2.1 TUBE: L=16.9,W=14.5, H=510
  - 2.2 SHIPPING CARTON: L=525, W=160, H=125
3. QUANTITY:
  - 3.1 PRIMARY PACKING: 15 PCS/TUBE
  - 3.2 SECONDARY PACKING: 72 TUBE/CARTON(1,080PCS)
4. WEIGHT :
  - 4.1 NET WEIGHT : 4.80KG
  - 4.2 GROSS WEIGHT : 9.26KG

TOLERANCES UNLESS OTHERWISE SPECIFIED: 0 PLC ± 1 PLC ±0.3 2 PLC ±0.2 3 PLC ± ANGLES ±3'	DWN	S. HOU 06-MAY-2005	TYCO HOLDINGS (BERMUDA) VII LTD. TAIWAN BRANCH			
	CHK	W.J. KE 06-MAY-2005				
MATERIAL	APVD	W.J. KE 06-MAY-2005	NAME  D-SUB 15P V/T, DIP TYPE			
SEE NOTE	PRODUCT SPEC	-				
FINISH	APPLICATION SPEC	-	LOC	SIZE	DRAWING NO	REV
SEE NOTE	WEIGHT	-	DW	A <sub>3</sub>	C-1734608	A
			SCALE	SHEET		
			--	2 OF 2		

SEE SHEET 1			
LTR	REVISION RECORD	ECN	DWN CHK DATE