

# PRODUCT DATASHEET

PART NUMBER: C6179NL

- Diplexer, 5-85/108-1002MHz
- Impedance = 75 Ohms
- Surface Mount / Metal Cover
- RoHS-Compliant

**PRELIMINARY**

**Electrical Specifications @ 25°C**

**INSERTION LOSS : [COMMON TO LOW]**

5-85 MHz	108-130 MHz	130-500 MHz	500-700 MHz	700-1002 MHz			
1.6 dB Max	45 dB Min	50 dB Min	45 dB Min	35 dB Min			

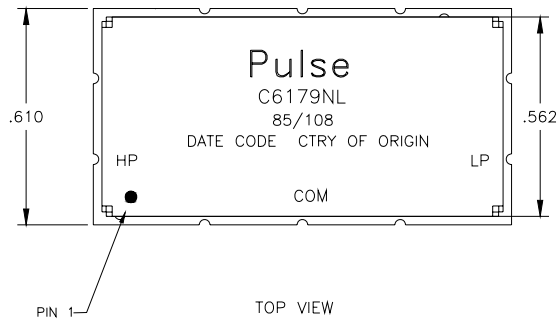
**INSERTION LOSS : [COMMON TO HIGH]**

5-80 MHz	80-85 MHz	108-1002 MHz					
50 dB Min	43 dB Min	1.6 dB Max					

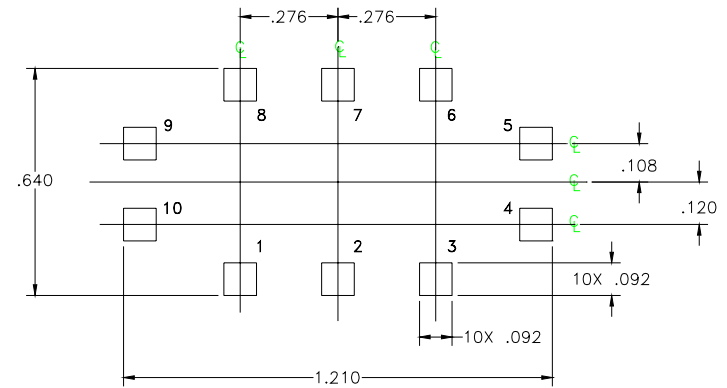
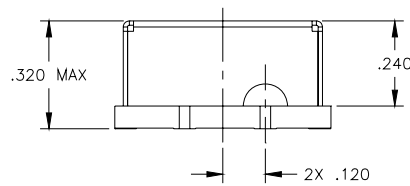
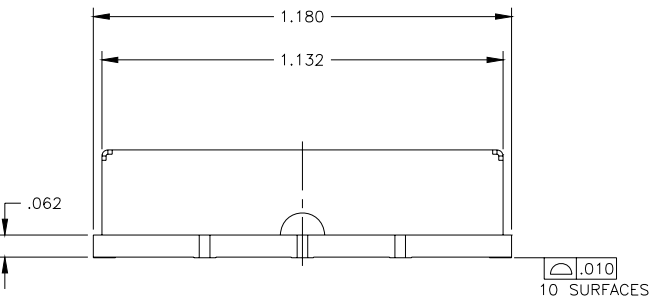
**RETURN LOSS : [COMMON PORT]**

5-85 MHz	108-1002 MHz						
12 dB Min	12 dB Min						

## Mechanical Specifications



DESIGNATIONS	
COMMON PORT (COM)	PIN 2
LOWPASS PORT (LP)	PIN 4
HIGHPASS PORT (HP)	PIN 10
GROUND (GND)	PINS 1 & 3
GROUND (GND)	PINS 5,6,7,8,9



DIMENSIONS	INCH
TOLERANCES	.XX +/- .01
	.XXX +/- .005