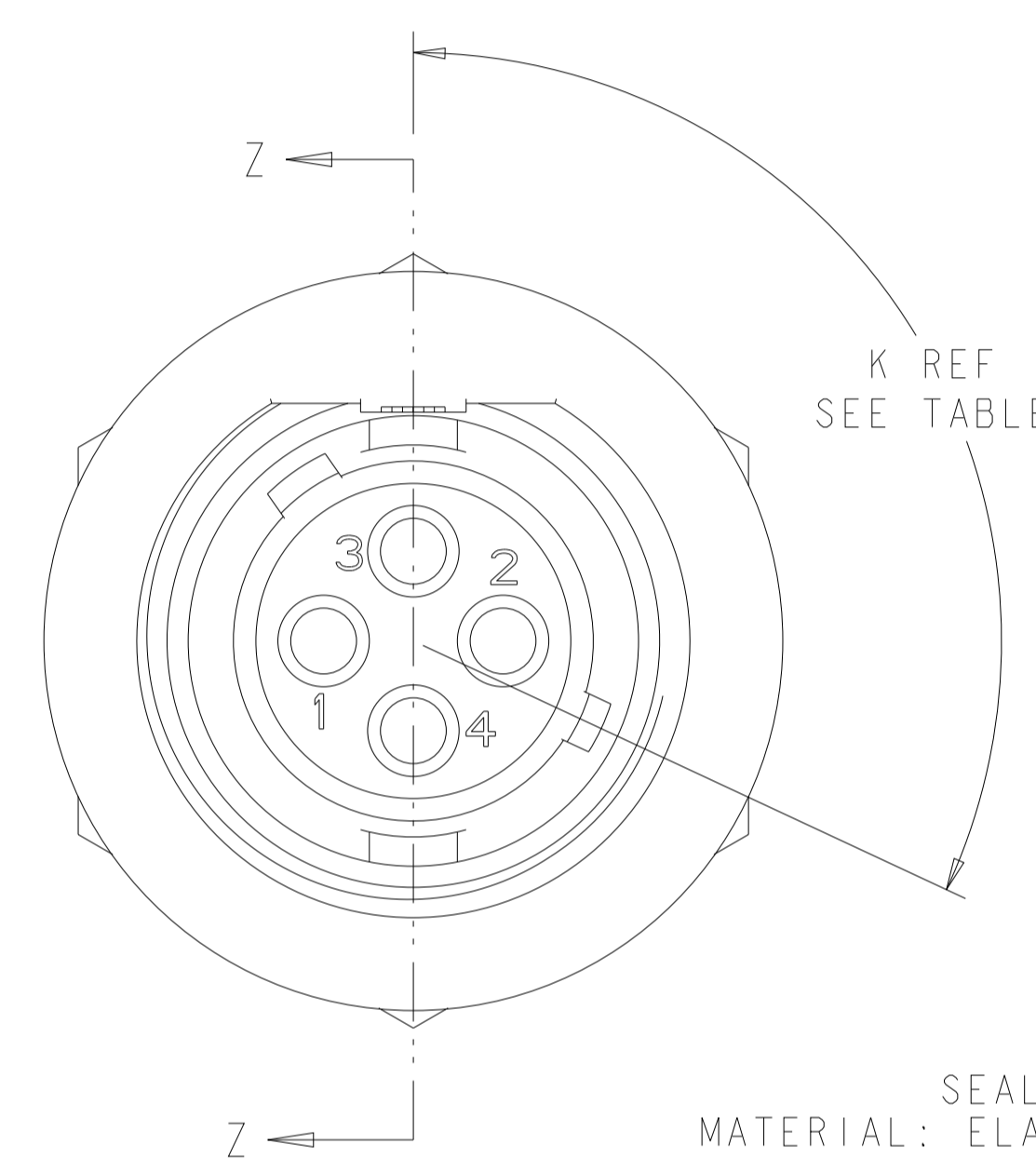
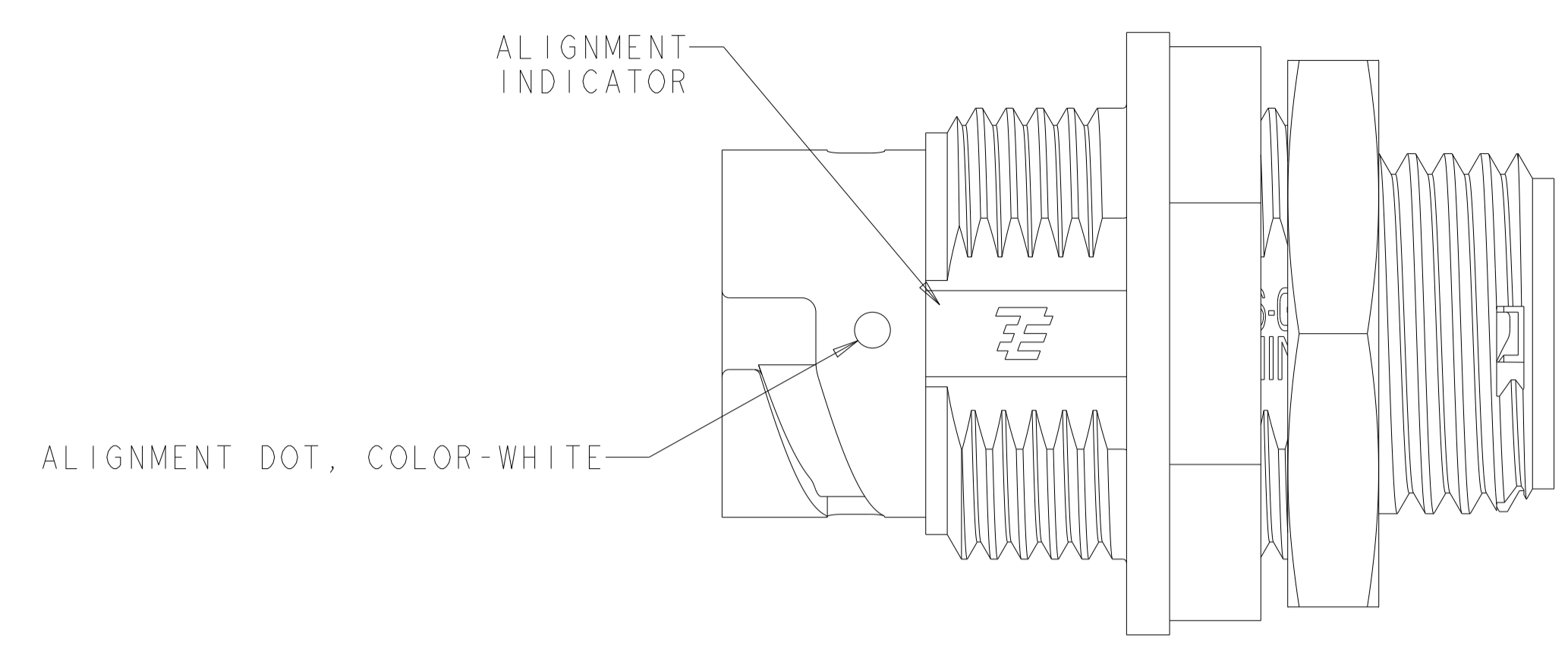
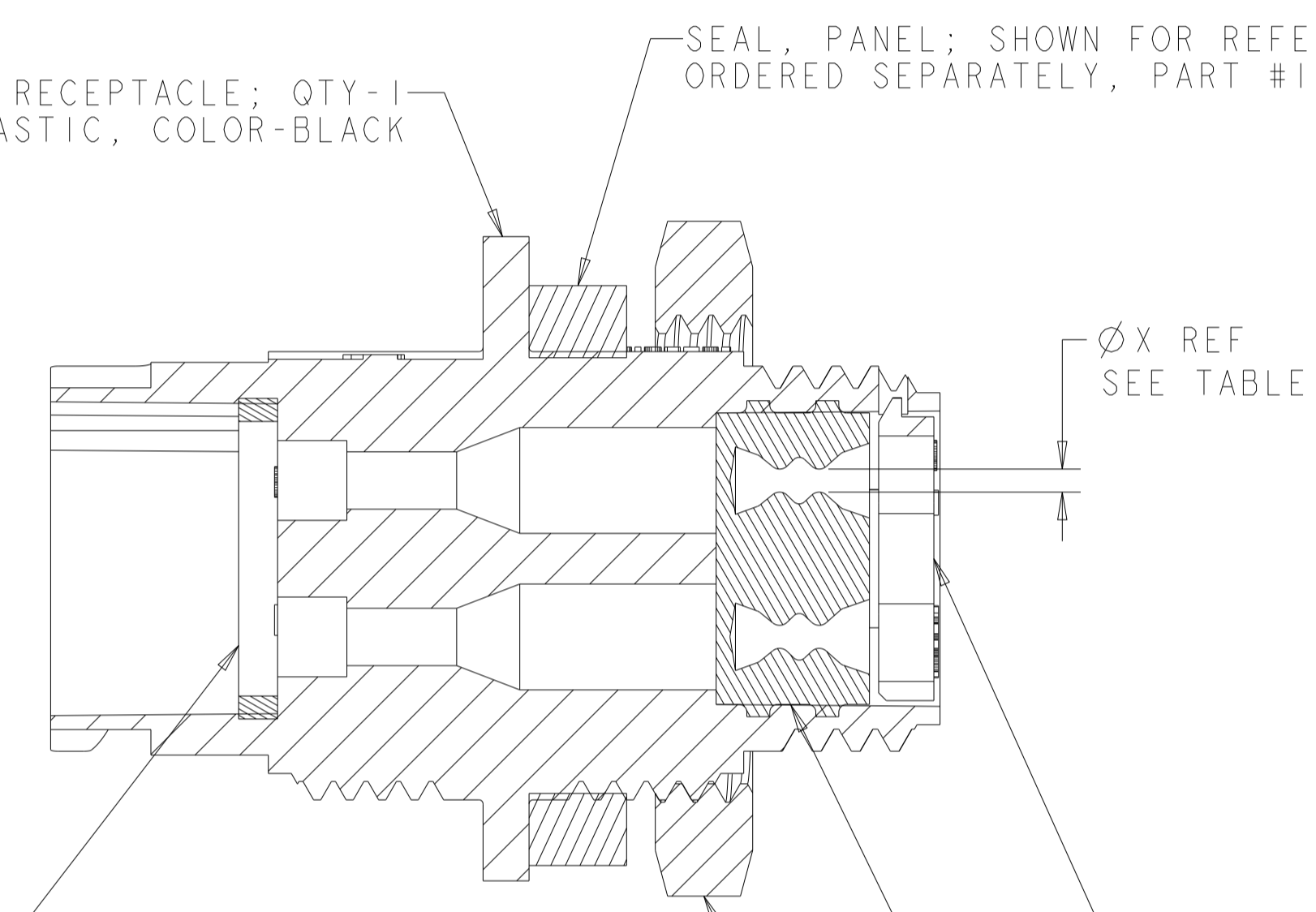


LOC		DIST		REVISIONS			
P	LTN	DESCRIPTION	DATE	DMN	APVD		
D		REVISED PER ECN-22-136865	01FEB2022	RK	MZ		



HOUSING, RECEPTACLE; QTY-1  
 MATERIAL: THERMOPLASTIC, COLOR-BLACK

SEAL, PANEL; SHOWN FOR REFERENCE ONLY, TO BE ORDERED SEPARATELY, PART #1445420-01

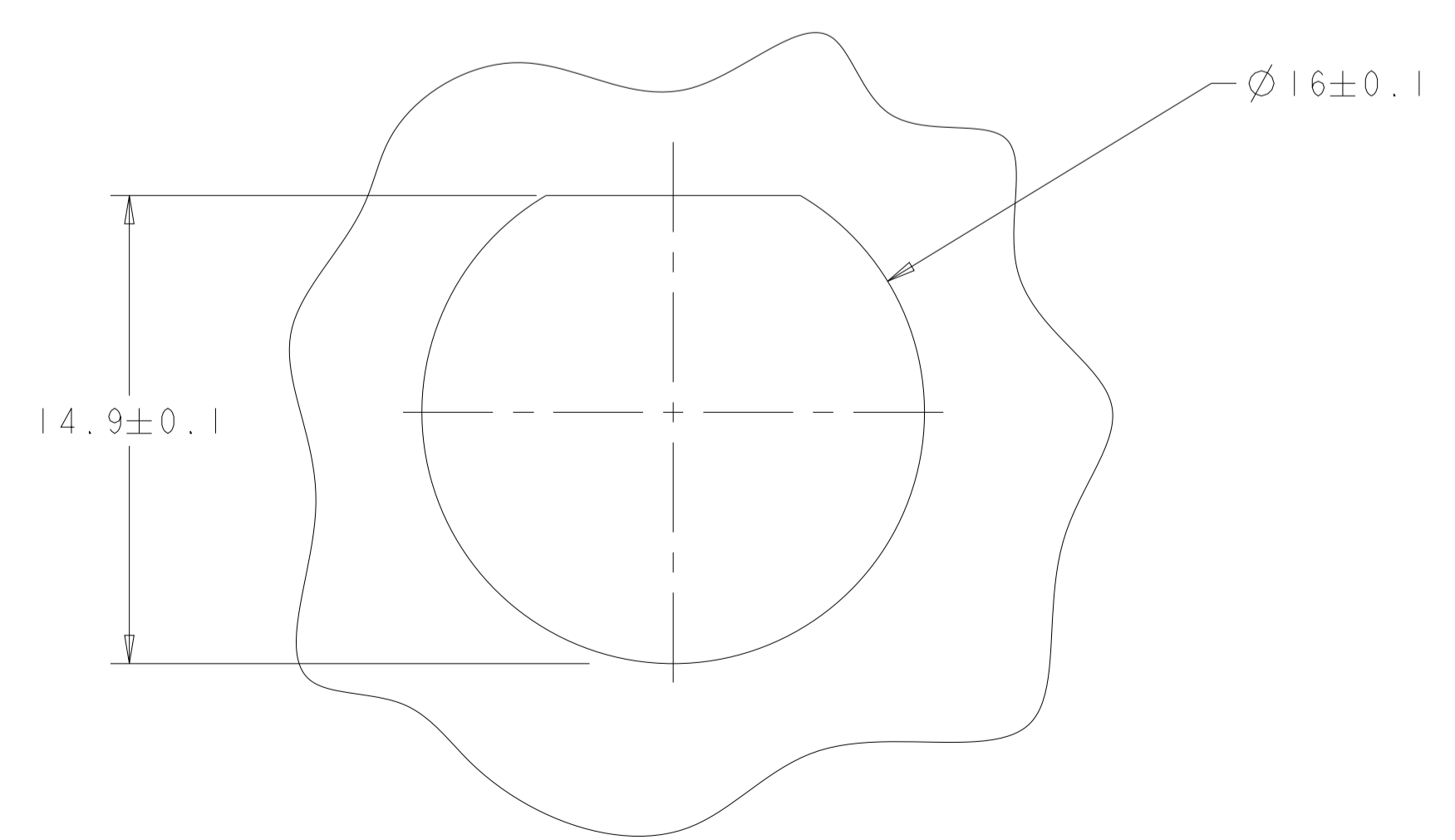
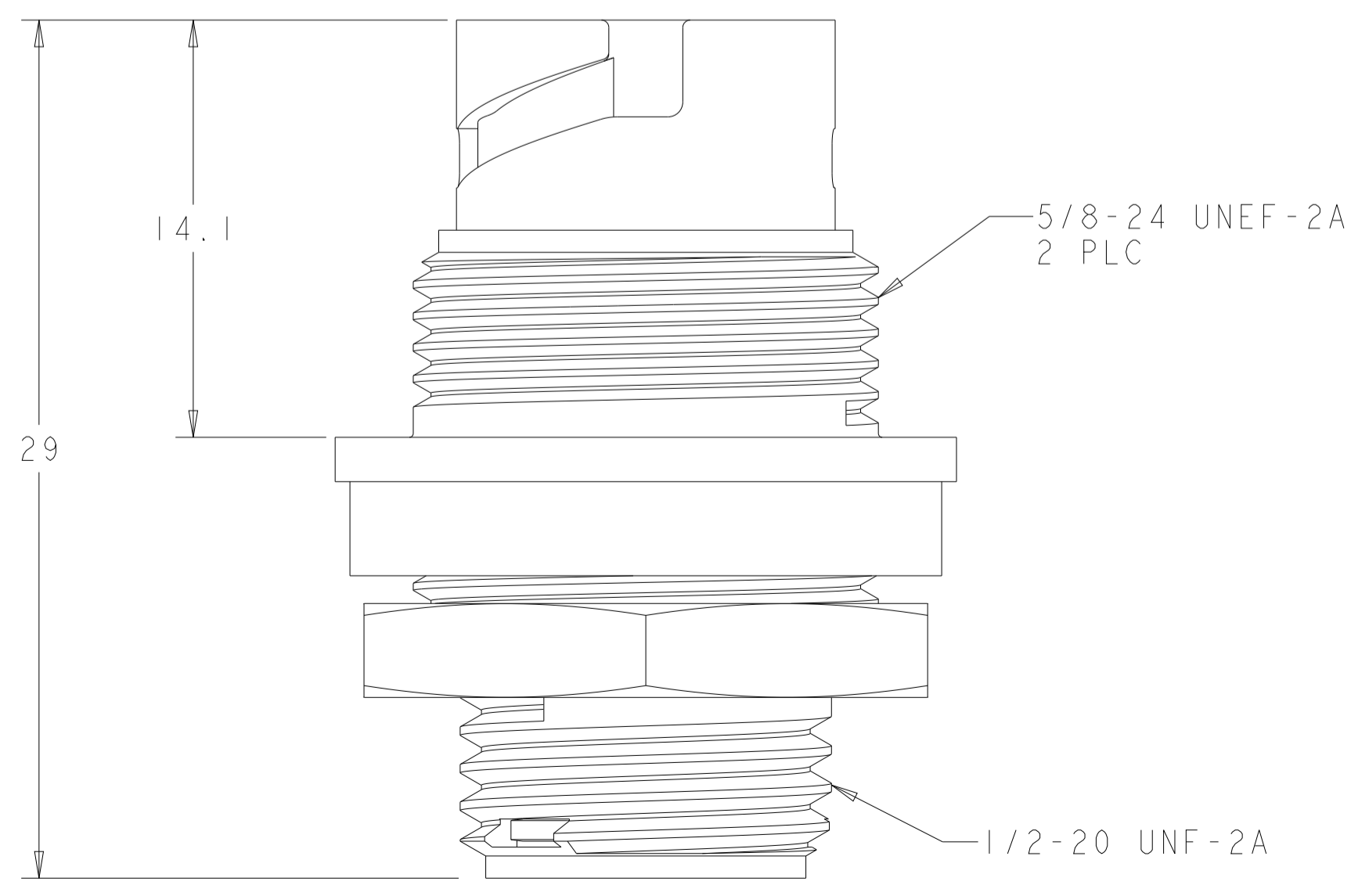
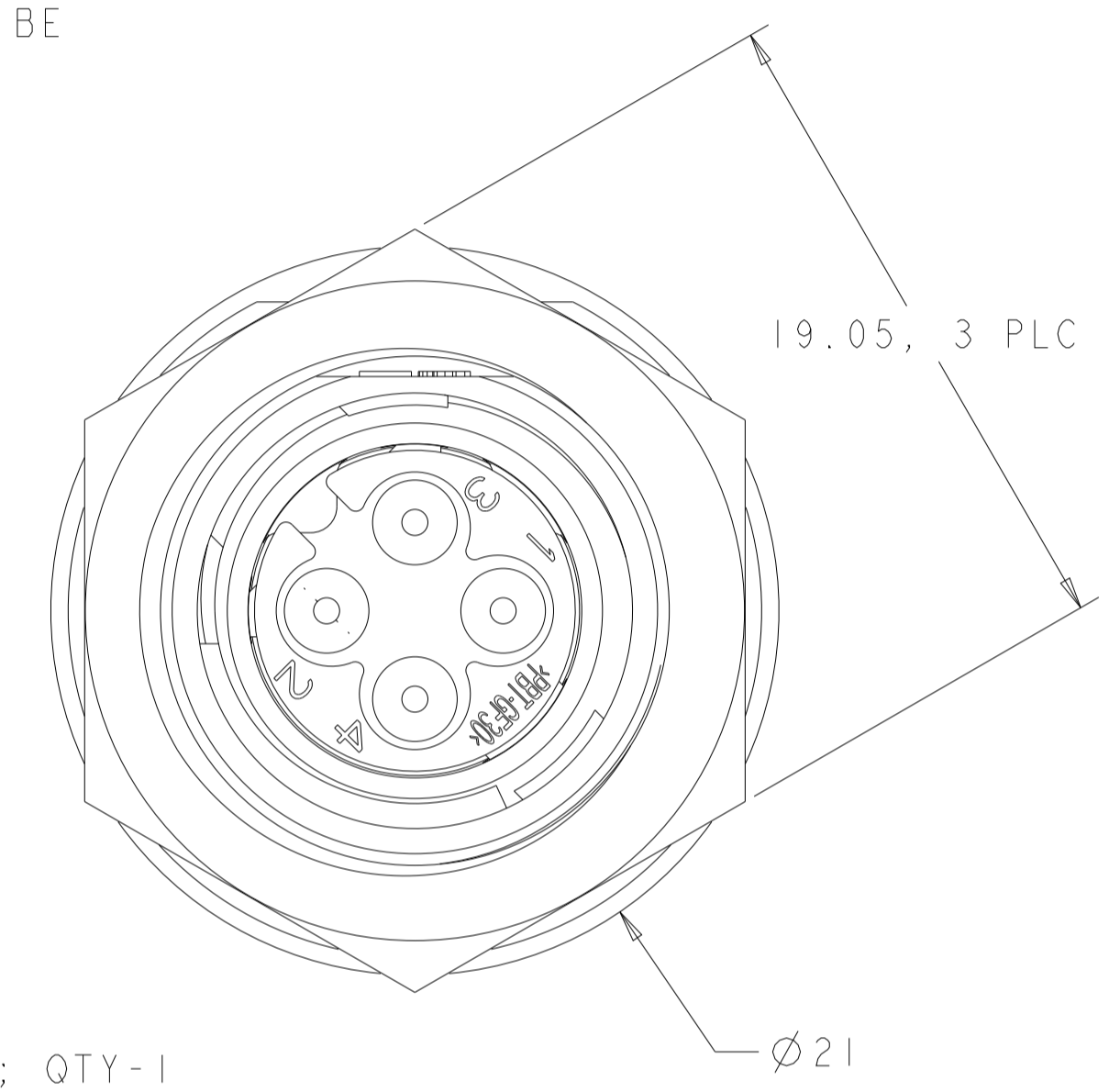


SEAL, PERIPHERAL; QTY-1  
 MATERIAL: ELASTOMER, COLOR-BLACK

PLATE, SEAL RETENTION; QTY-1  
 MATERIAL: THERMOPLASTIC, COLOR-BLACK

SEAL, WIRE ENTRY; QTY-1  
 MATERIAL: ELASTOMER, COLOR-SEE TABLE

NUT, JAM; SHOWN FOR REFERENCE ONLY, TO BE ORDERED SEPARATELY, PART # 1604196-1



SUGGESTED PANEL CUTOUT  $\triangle$

1. CONNECTOR CAN BE FRONT OR REAR PANEL MOUNTED.  
 $\triangle$  MAX PANEL THICKNESS - 3.18.

OBSOLETE	YELLOW	Ø0.75	130°	1445421-04
	NATURAL	Ø1.5	115°	1445421-03
OBSOLETE	NATURAL	Ø1.5	130°	1445421-02
	YELLOW	Ø0.75	115°	1445421-01
	SEAL, WIRE ENTRY COLOR	ØX REF	K REF	PART NUMBER

THIS DRAWING IS A CONTROLLED DOCUMENT.

DMN: G. DOUTY 07MAR2001  
 CHK: H. WAKEEM 12JUN2003  
 APVD: H. WAKEEM 12JUN2003

**STE** TE Connectivity

NAME: ASSEMBLY, RECEPTACLE, SIZE 8, 4 POSITION, PANEL MOUNT, MINI CPC

SIZE: A1 CAGE CODE: 1445421 DRAWING NO: 1445421-01

MATERIAL: SEE CALLOUT

WEIGHT: -

CUSTOMER DRAWING

SCALE: 5:1 SHEET 1 OF 1 REV D