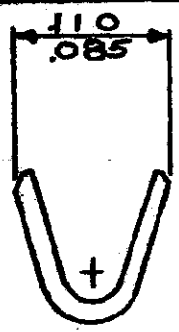
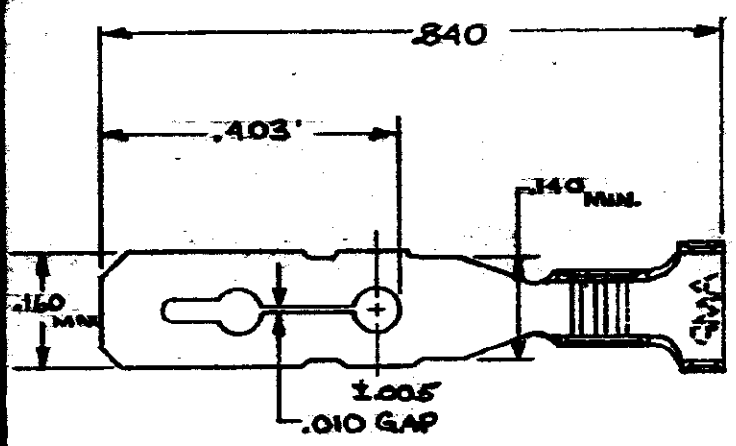
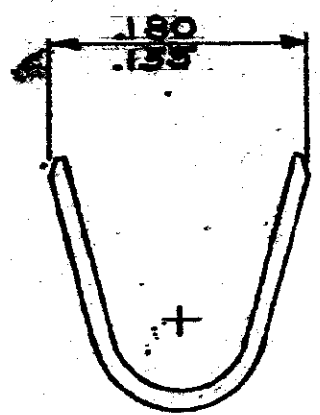
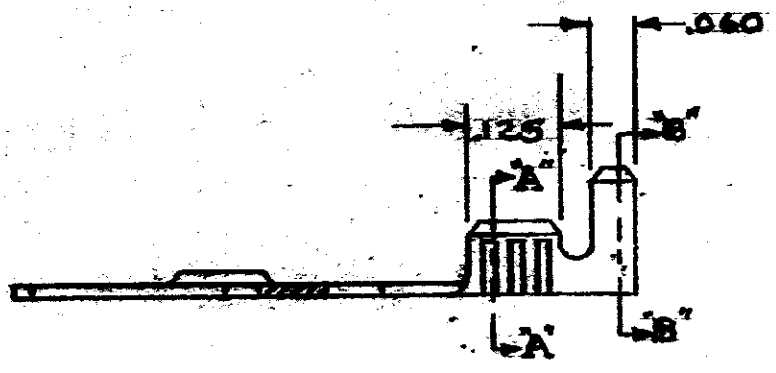


61723



SECT. A-A



SECT. B-B

TERMINAL NUMBER
61723-1

APPROVED	A-2375	DR	CHK	DATE
WAS				
P9-7339				
BANKS				

AMP INCORPORATED, ALL RIGHTS RESERVED. AMP PRODUCTS COVERED BY PATENTS AND/OR SERVICE MARKS.

MATERIAL AND FINISH  
 .012 PH-BRONZE  
 NONE

WIRE - RANGE - INSULATION  
 22-18 | .075-.110

TOLERANCE EXCEPT AS NOTED  
 ± .018 ± 1°

SCALE  
 1:1

LOC AF

NO 61723

NAME  
 CLIP, TAB

AMP INCORPORATED HARRISBURG, PENNA.

CLASS \_\_\_\_\_

TYPE \_\_\_\_\_