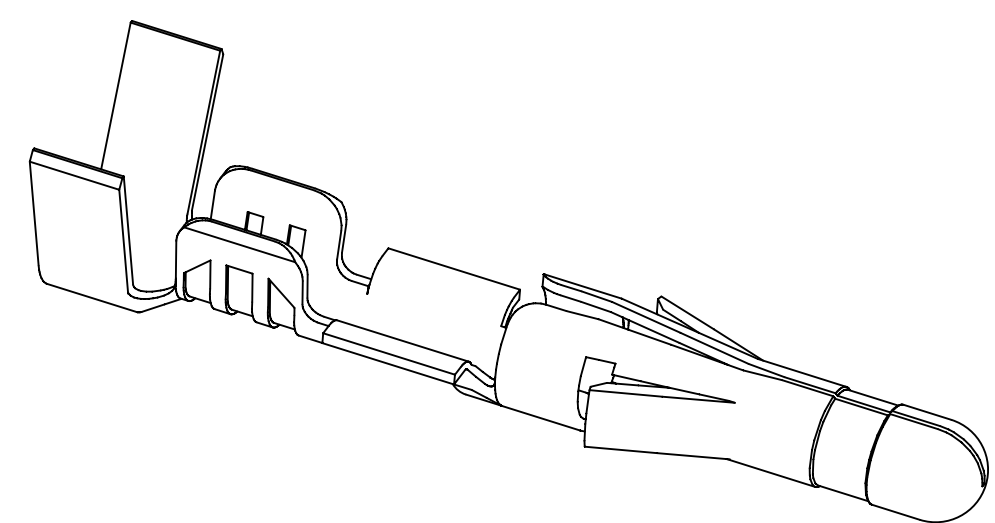
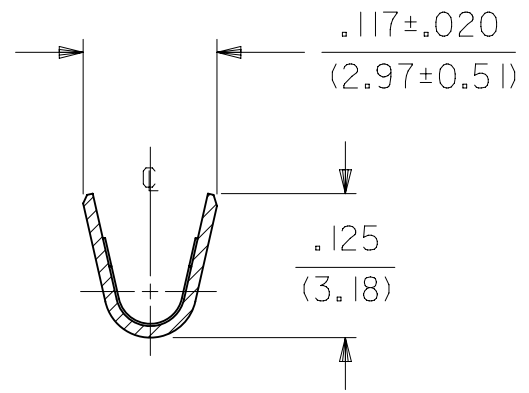
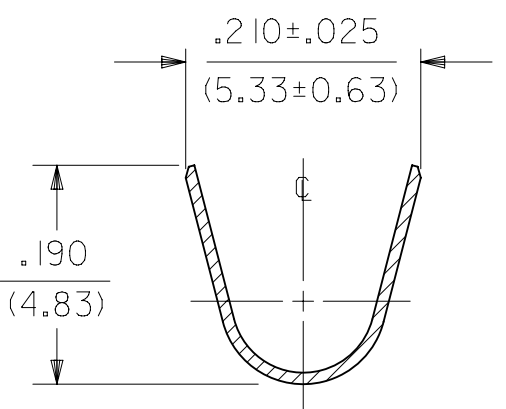
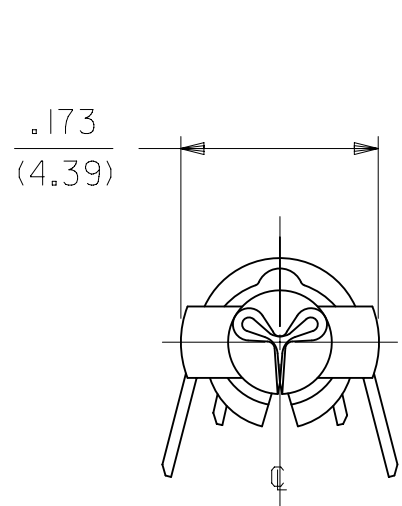


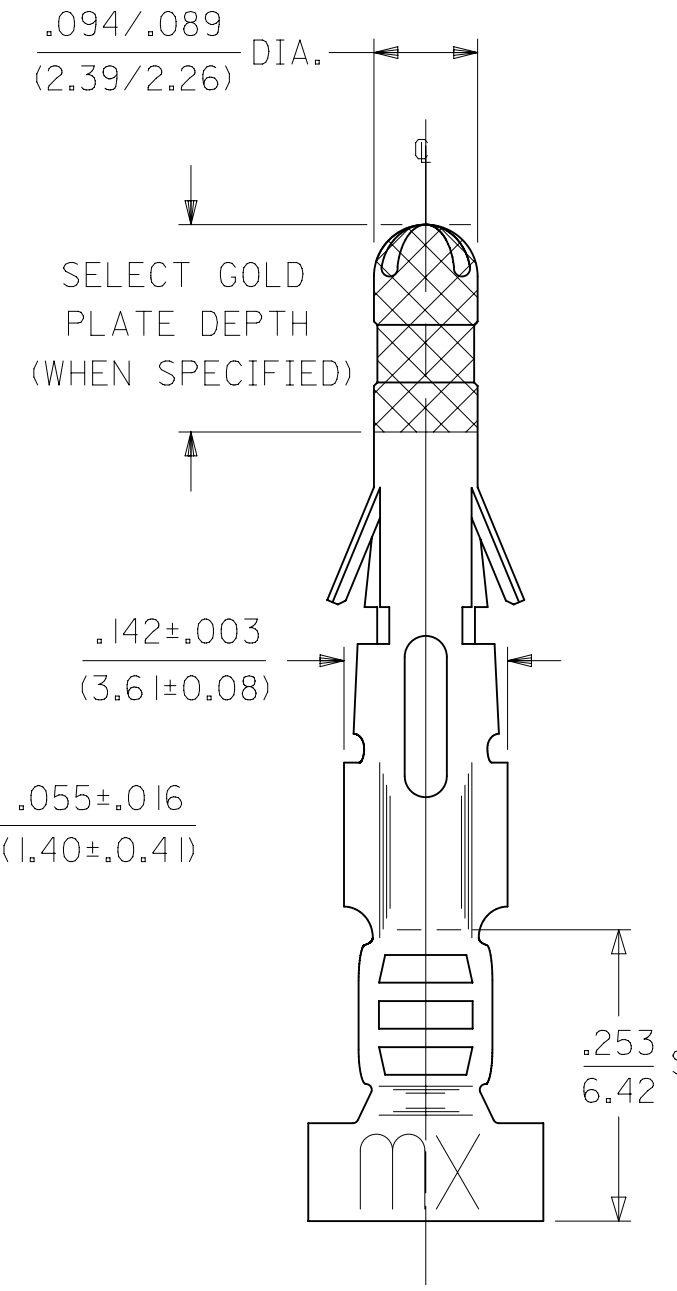
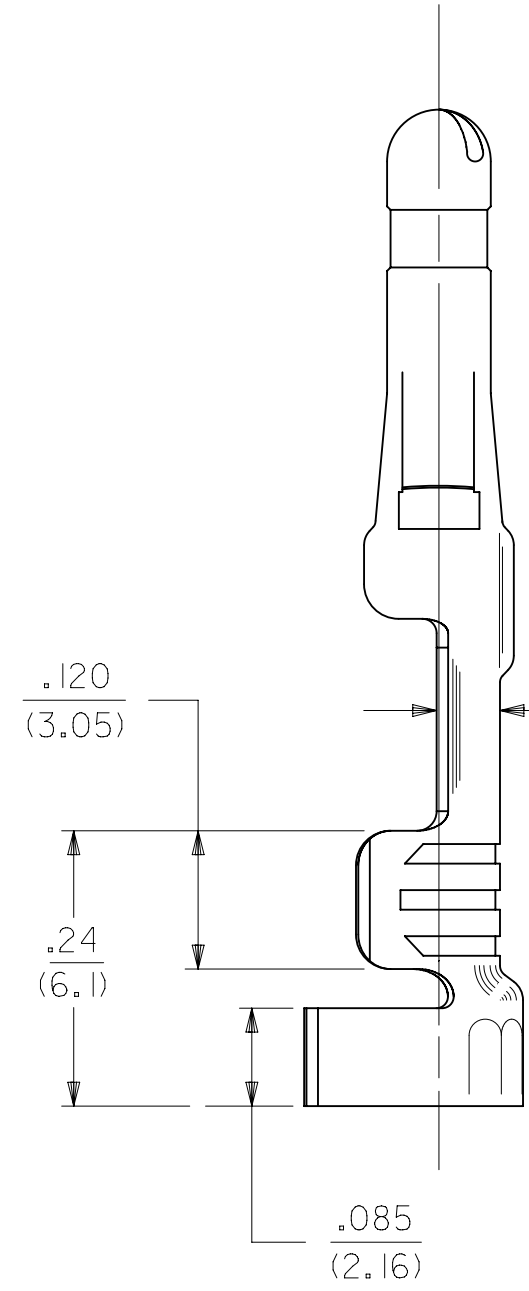
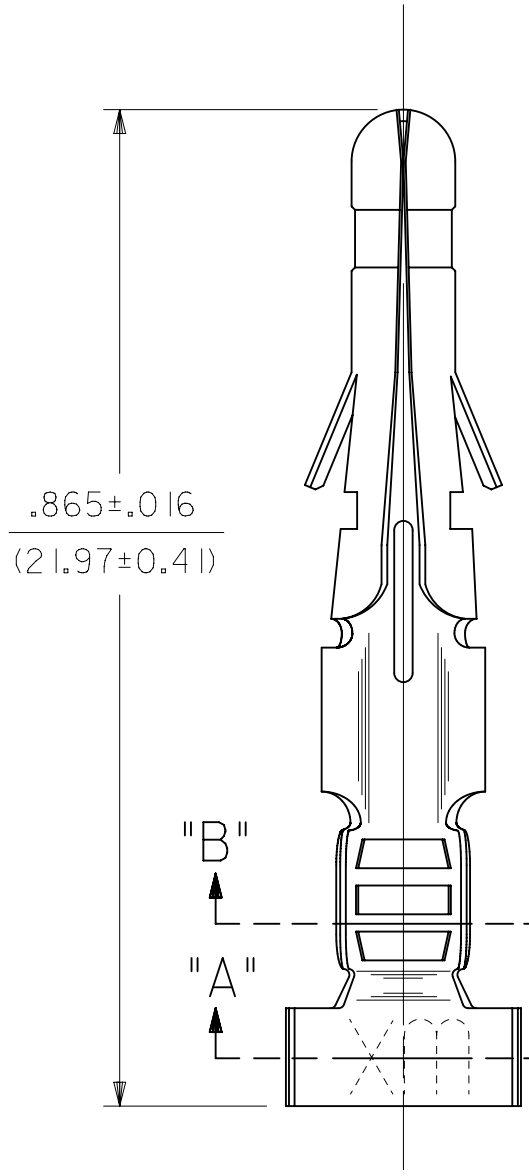
PART NO.	ENG. NO.	INTERLEAF PAPER OPTION
02-09-2103	1190-(P901)L	
02-09-2101	1190-(P901)	
02-09-6106	1190-(550)L	
02-09-6100	1190-(550)	



SECT. "B-B"



SECT. "A-A"



SELECT GOLD PLATE DEPTH (WHEN SPECIFIED)

SEE NOTE 7

- NOTES:
- MATERIAL: CARTRIDGE BRASS
  - FINISH CODES:
    - 901 HOT TIN DIP .000020/(0.00051) MIN.
    - 591 SELECT GOLD PLATE .000050/(0.00127) MIN. IN CONTACT AREA, OVER .000050/(0.00127) MIN. NICKEL OVERALL WITH .000010/(0.00025) MAX. GOLD FLASH OVERALL.
    - 550 SELECT GOLD PLATE .000015/(0.00038) MIN. IN CONTACT AREA, OVER .000030/(0.00076) MIN. NICKEL OVERALL WITH .000010/(0.00025) MAX. GOLD FLASH OVERALL.
  - PRODUCT SPECIFICATION: PS-43660-9999
  - PACKAGING SPECIFICATION: PK-1190-001
  - INSERTION FORCE: 5.0 LBS. MAX. WHEN TERMINAL IS INSERTED INTO .093 SERIES HOUSING.
  - RETENTION: 20 LBS. MIN. FROM HOUSING.
  - DIMENSION FROM THE END OF THE TERMINAL TO THE END OF THE BRUSH ON THE WIRE CRIMPED INTO THE TERMINAL.
  - TERMINAL FOR USE WITH .093/(2.36) SERIES HOUSINGS AND WILL ACCEPT 14 THRU 20 AWG WIRE.

LEGEND

1190-(\*\*\*\*)\*-\*

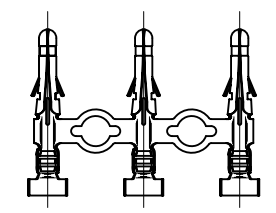
INTERLEAF PAPER OPTION

FORM  
BLANK=CHAIN  
L=LOOSE

BLANK: INTERLEAF PAPER ON FIRST FEW WRAPS ONLY.  
I: INTERLEAF PAPER THROUGH OUT REEL.

P=PREPLATE  
BLANK=POSTPLATE

FINISH CODE



CHAIN FORM FULL SCALE

THIS DRAWING CONTAINS INFORMATION THAT IS PROPRIETARY TO MOLEX ELECTRONIC TECHNOLOGIES, LLC AND SHOULD NOT BE USED WITHOUT WRITTEN PERMISSION									
DIMENSION UNITS		SCALE		CURRENT REV DESC: OBSOLETE PART NUMBER					
IN/MM		6:1		<p>CRIMP TERMINAL, MALE .093/(2.36) DIA. FOR 14 THRU 20 AWG. WIRE</p> <p>PRODUCT CUSTOMER DRAWING</p> <p>DOCUMENT NUMBER: SD-1190-X   DOC TYPE: PSD   DOC PART: 001   REVISION: BT</p> <p>EC NO: 637127   DRWN: AKUMAR19   2020/05/06   CHK'D: GGA   2020/05/15   APPR: GGA   2020/05/15</p> <p>INITIAL REVISION:   DRWN: AELHAG   2010/06/23   APPR: FSMITH   2010/06/09</p> <p>DRAFT WHERE APPLICABLE MUST REMAIN WITHIN DIMENSIONS</p> <p>THIRD ANGLE PROJECTION   DRAWING: C-SIZE   SERIES: 1190</p> <p>MATERIAL NUMBER: SEE TABLE   CUSTOMER: GENERAL MARKET   SHEET NUMBER: 1 OF 1</p>					
GENERAL TOLERANCES (UNLESS SPECIFIED)									
4 PLACES		±							
3 PLACES		± 0.01							
2 PLACES		± 0.25							
1 PLACE		± 0.36							
0 PLACES		±							
ANGULAR TOL		± 0.5°							

DOCUMENT STATUS	P1	RELEASE DATE	2020/05/15 16:30:05
-----------------	----	--------------	---------------------