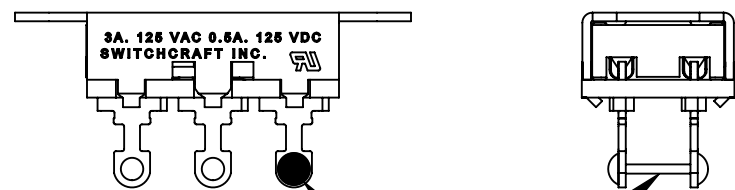


SCHEMATIC
DOUBLE POLE DOUBLE THROW

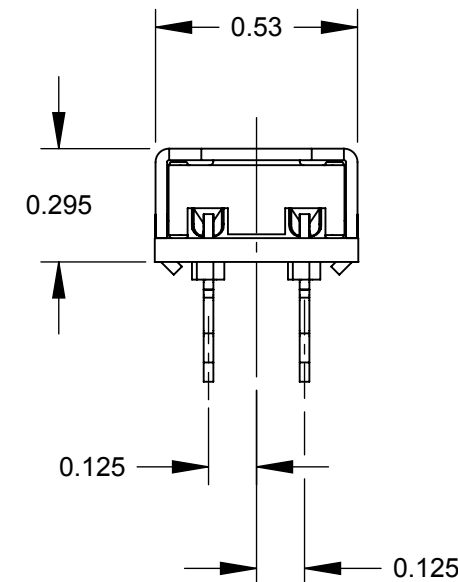
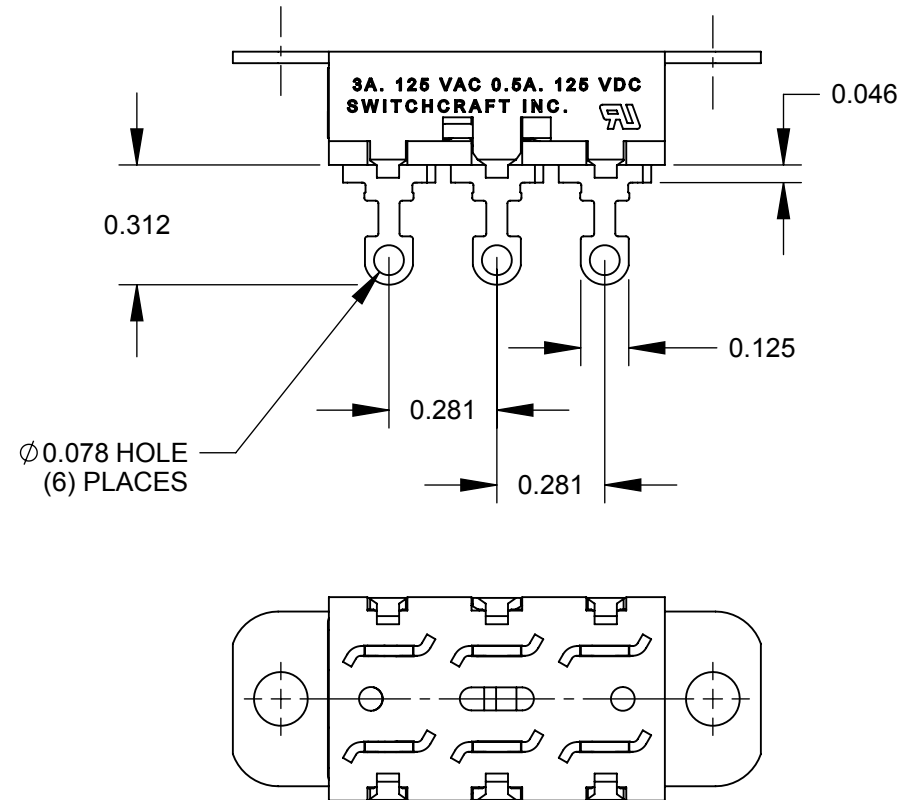
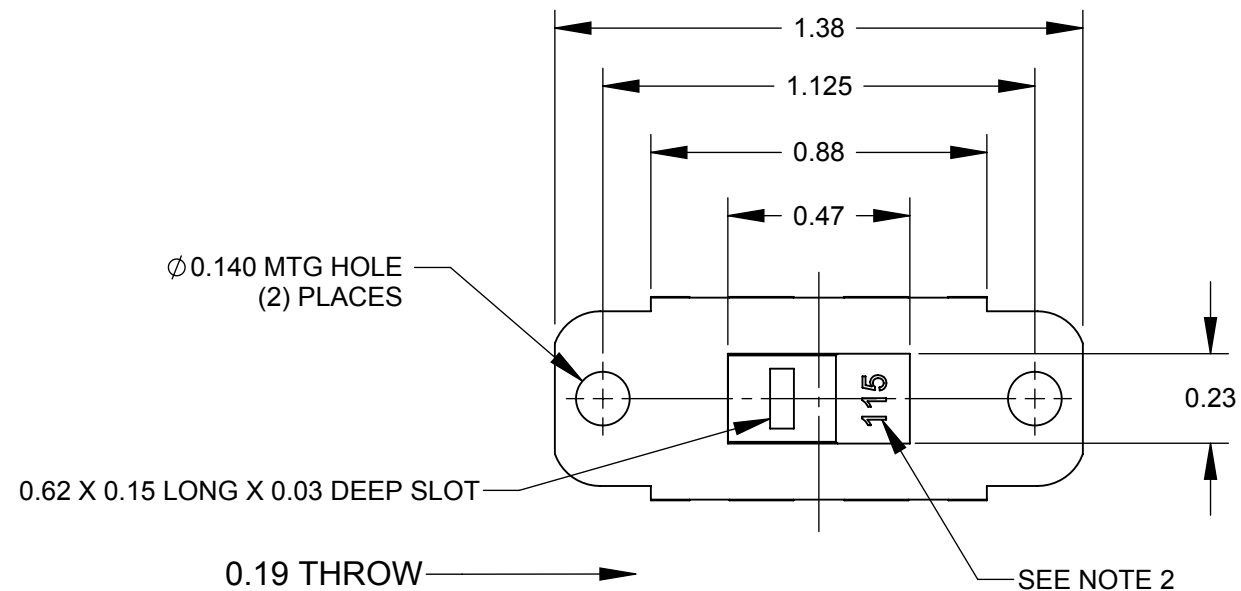
46206LFRX



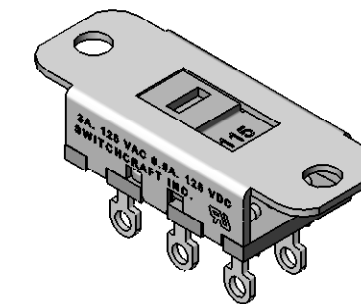
JUMPER

SCHEMATIC
DOUBLE POLE DOUBLE THROW
WITH JUMPER

46256LFRX



**46206LFRX
SHOWN**



CUSTOMER DRAWING

NOTES:

- ALL DIMENSIONS REFERENCE UNLESS OTHERWISE SPECIFIED.
- NUMBERS HOT STAMPED IN WHITE. 230 VISIBLE IN OTHER DIRECTION
- MATERIALS:
HOUSING - STEEL, ZINC PLATED
BUTTON - THERMOPLASTIC, BLACK
TERMINALS & CONTACT SLIDER - BRASS, SILVER PLATED
TERMINAL BOARD - PHENOLIC
- SWITCH RATING:
3 AMP, 125 V.A.C., 0.5 AMP, 125 V.D.C.
- THIS PRODUCT IS RoHS COMPLIANT.

REV	ECO NUMBER	DATE	BY	APVD
A	26008	8/5/06	RS	TJK
REVISIONS				

UNLESS OTHERWISE SPECIFIED				
1. ALL DIMENSIONS IN INCHES				
- TWO PLACE DECIMALS ±0.02				
- THREE PLACE DECIMALS ±0.005				
DO NOT SCALE DRAWING				

THIS DRAWING DESCRIBES A DESIGN CONSIDERED PROPRIETARY IN NATURE, DEVELOPED AND MANUFACTURED BY SWITCHCRAFT INC. AND IS RELEASED ON A CONFIDENTIAL BASIS FOR IDENTIFICATION PURPOSES ONLY.									
SIZE	WIDTH	MULT	LBS/M	TEMPER					
					FINISH		MATERIAL		
					SPEC No.		SPEC No.		
					FIRST USED ON		SCALE		
							2:1		
DATE DRAWN	BY	CHKD	APVD						
2/19/09	RS	RS	TJK						
					2/19/09		5/18/09		
NAME 115 - 230 POWER SELECTION SLIDE SWITCH, RoHS							PART No.		REV
							46200LFRX SERIES		A

SolidWorks CAD File **B**