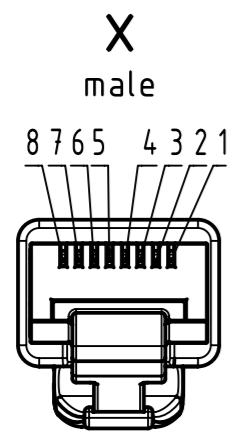
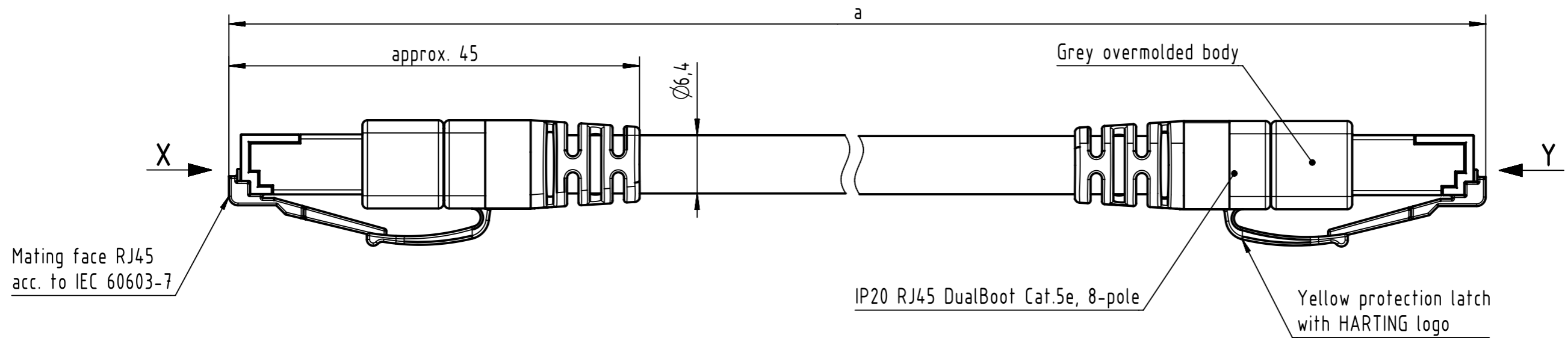
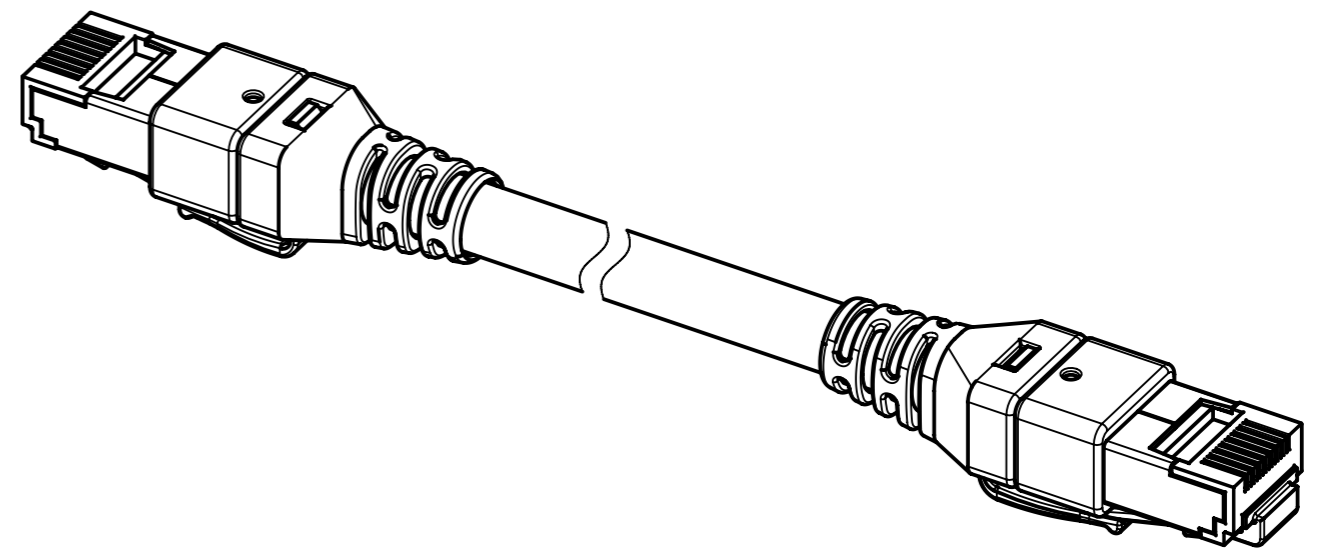
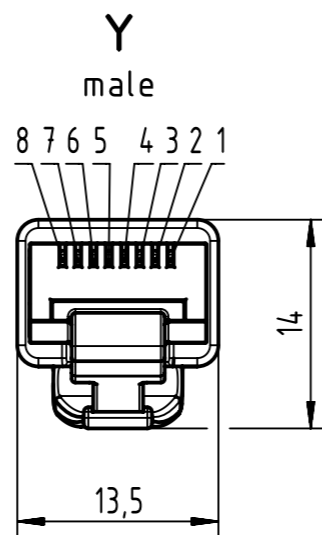
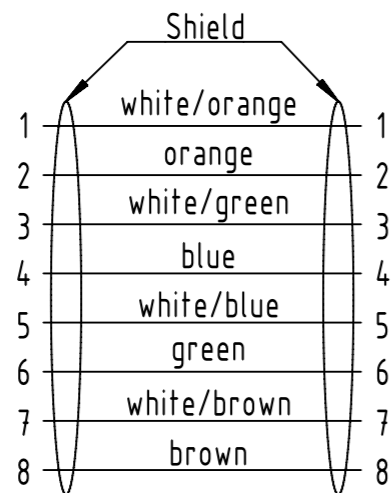


Connector Location A

Connector Location B



Loading Plan
acc. to TIA/EIA 568B



NOTE:

For lengths < 1.0m:

- relative positioning of the connectors to each other will be as presented in the drawing, however with an admissible angular deviation around cable axis of $\pm 30^\circ$

For lengths ≥ 1.0 m:

-relative positioning of the connectors to each other not obligatory


Temperature range:

- Fixed installation: $-30^\circ\text{C} \dots +75^\circ\text{C}$

- Dynamic installation: $-5^\circ\text{C} \dots +50^\circ\text{C}$

	All rights reserved Department HCS - RO HARTING Customised Solutions D-32339 Espelkamp	All Dimensions in mm	Tech. Character.	Free size tol.	According to production drawing
		Created by 405181 Hadar	Inspected by COSTEA Costea	Standardisation MUNTEANV Muntean	Date 2021-03-16
		Title RJ1 cable 4x2xAWG26/7 CAT5e PUR			Doc-Key / ECM-Nr. 100170398/UGD/016/N 500000191195
		Type TB	Number 094747470XX		Rev. N Page 1/2

1	2	3	4	5	6	7	8
A							
B	34	09474747033		17			
	33	09474747032		16			
	32	09474747022		15			
	31	09474747031		14			
	30	09474747035		12			
	29	09474747030		11			
	28	09474747021		10			
	27	09474747020		9			
	26	09474747019		8			
	25	09474747018		7.5			
	24	09474747017		7			
	23	09474747043		6.3			
	22	09474747016		6			
	21	09474747042		5.5			
	20	09474747015		5			
	19	09474747041		4.3			
	18	09474747014	4x2xAWG 26/7 S/FTP Cat.5e, PUR, yellow	4			
	17	09474747024		3.5			
	16	09474747013		3			
	15	09474747012		2.5			
	14	09474747011		2			
	13	09474747037		1.8			
	12	09474747010		1.5			
	11	09474747038		1.2			
	10	09474747009		1			
	9	09474747008		0.9			
	8	09474747007	0.8				
	7	09474747006	0.7				
	6	09474747005	0.6				
	5	09474747004	0.5				
	4	09474747003	0.4				
	3	09474747002	0.3				
	2	09474747001	0.2				
	1	09474747039	0.16				
	Cont. no.	Part no.	Type of cable	Dim. a[m]			
C							
D	43	09474747040	4x2xAWG 26/7 S/FTP Cat.5e, PUR, yellow	60			
	42	09474747029		50			
	41	09474747036		48			
	40	09474747028		40			
	39	09474747026		35			
	38	09474747027		30			
	37	09474747025		25			
	36	09474747023		20			
	35	09474747034		18			
	Cont. no.	Part no.		Type of cable	Dim. a[m]		
E							
F							

5	6	7	8
43	09474747040		60
42	09474747029		50
41	09474747036		48
40	09474747028		40
39	09474747026		35
38	09474747027		30
37	09474747025		25
36	09474747023		20
35	09474747034		18
Cont. no.	Part no.	Type of cable	Dim. a[m]
		All Dimensions in mm	
All rights reserved Department HCS - RO		Tech. Character.	
Created by 405181 Hadar		Free size tol.	
Inspected by COSTEA Costea		According to production drawing	
Standardisation MUNTEANV Muntean		Date 2021-03-16	
State Final Release		State Final Release	
Title RJ1 cable 4x2xAWG26/7 CAT5e PUR		Doc-Key / ECM-Nr. 100170398/UGD/016/N 500000191195	
Type TB		Number 094747470XX	
HARTING Customised Solutions D-32339 Espelkamp		Rev. N Page 2/2	