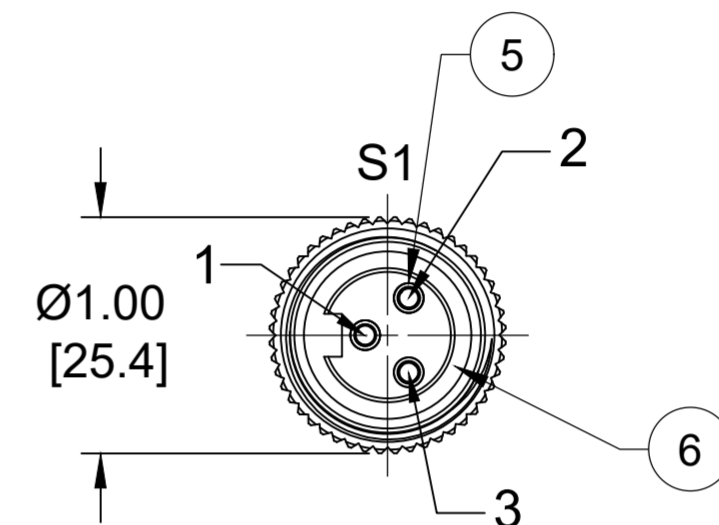
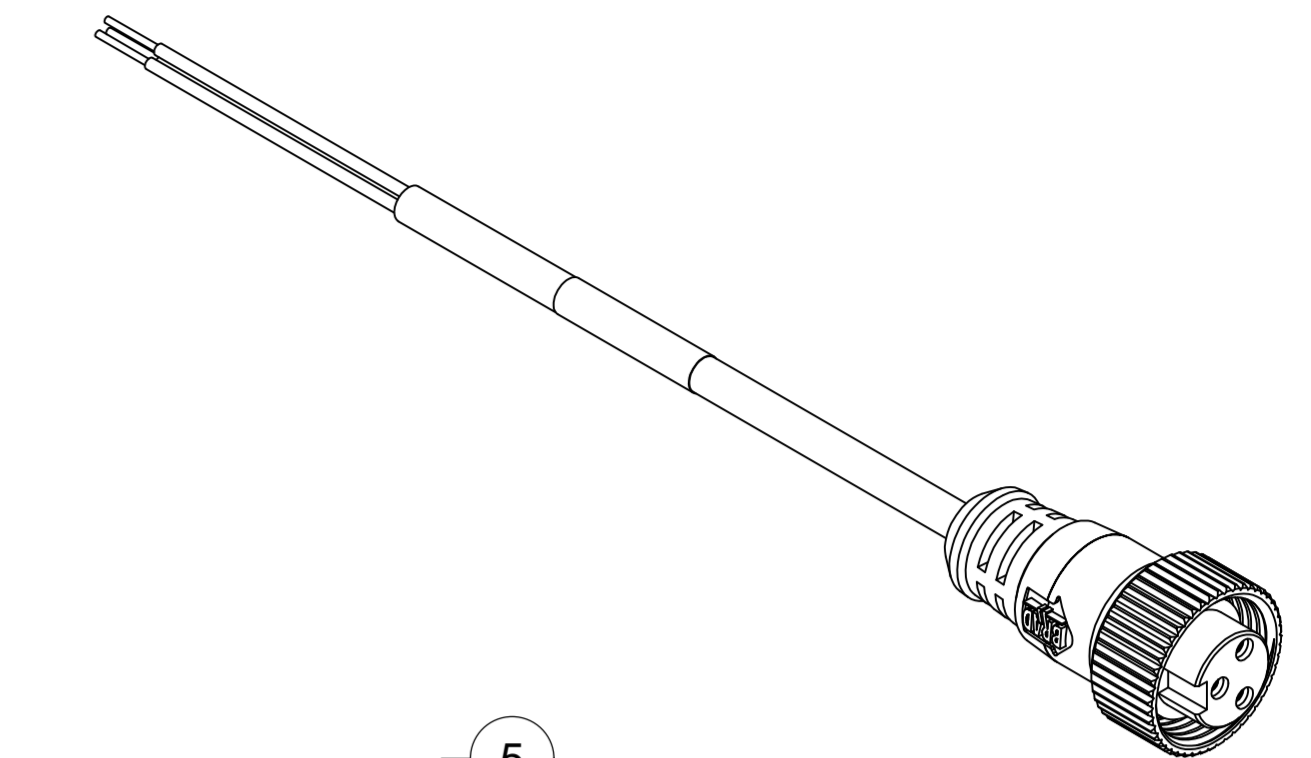
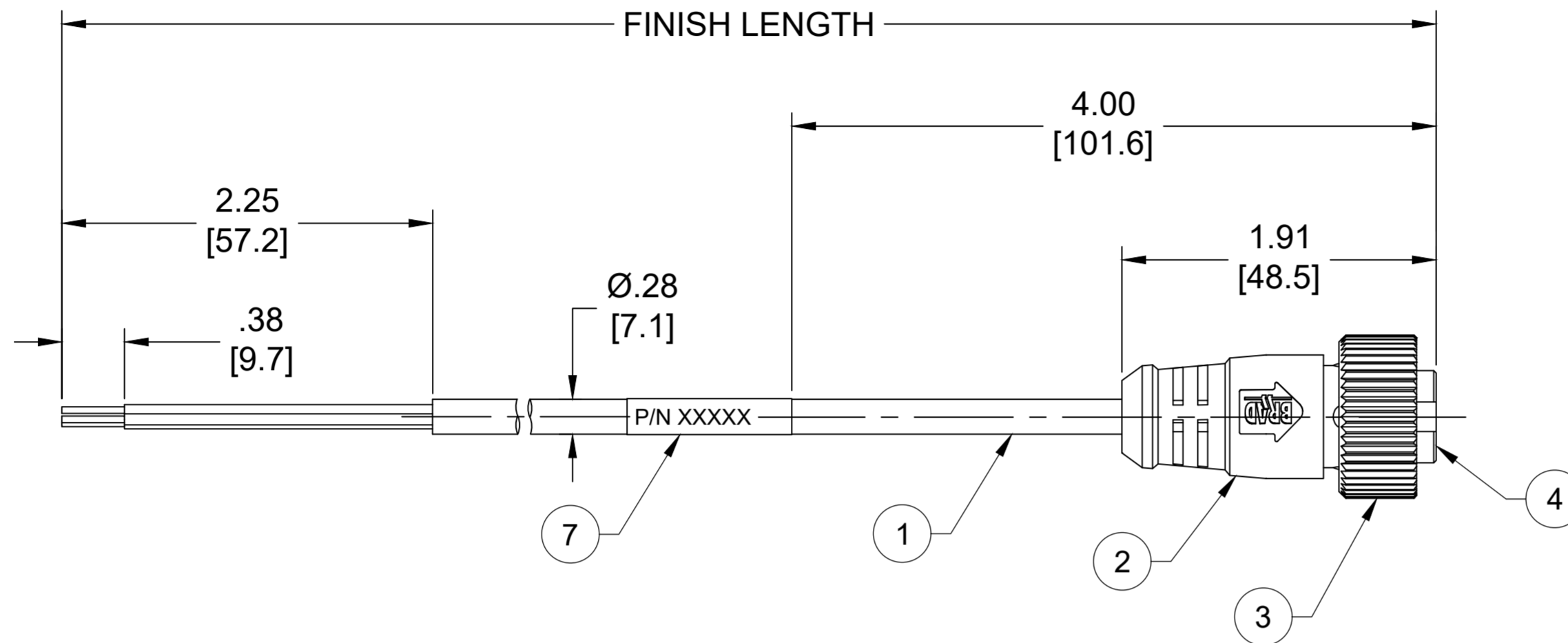


PART NO.	ENGINEERING NO.	FINISHED LENGTH
1300060298	103000A03F030	3FT [0.9M]
1300060308	103000A03F150	15FT [4.6M]
1300060313	103000A03F250	25FT [7.6M]



FEMALE FACE VIEW

NOTES:

1. MATERIAL: AS NOTED
2. FINISH: AS NOTED
3. ELECTRICAL:
VOLTAGE : 300V
CURRENT: 10A
4. TEMP RATING: -20° TO +105°C
5. PROTECTION: IP67 (WHEN MATED)
6. COUPLING THREAD: 7/8"-16UN
7. UL RECOGNIZED FILE: E152210
CSA CERTIFIED FILE: LR6837
8. ALL DIMENSIONS ARE FOR REFERENCE UNLESS TOLERANCED OR NOTED OTHERWISE

S1	
GREEN-GND	1
RED WITH BLACK	2
RED WITH WHITE	3

WIRING DIAGRAM

PART NUMBER LEGEND

103000A03F030

CABLE LENGTH
F050 = 5 FEET
F100 = 10 FEET
F500 = 50 FEET

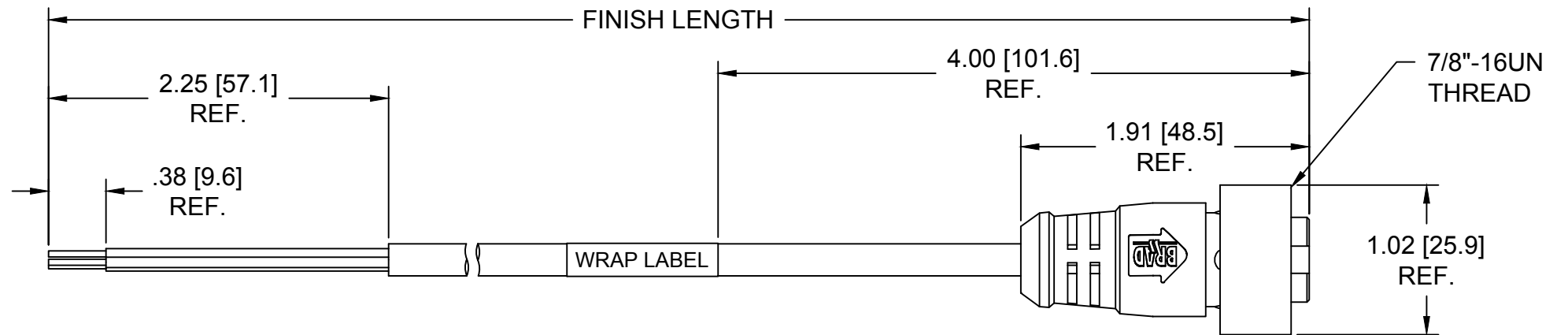
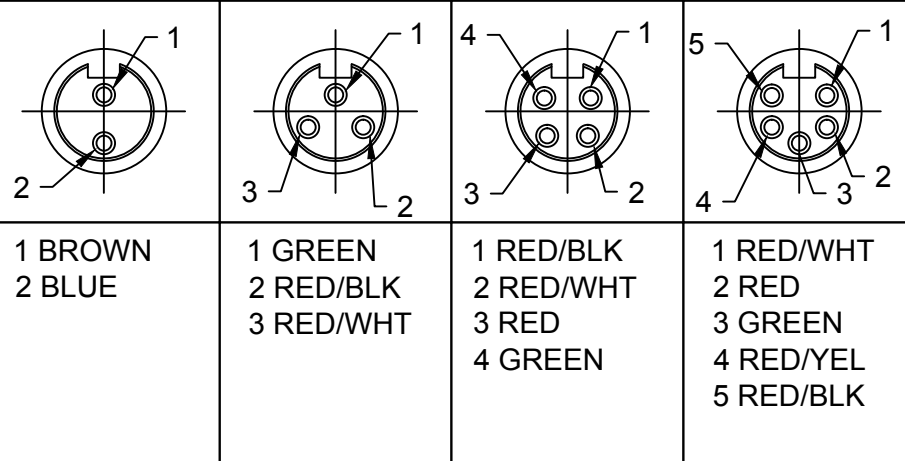
CABLE LENGTH TOLERANCES

<.3M [1FT]:	+19mm-0 [+.75in-0]
.3 - .9M [1 - 3FT]:	+44.5mm-0 [+1.75in-0]
.9 - 1.8M [3 - 6FT]:	+55.6mm-0 [+2.19in-0]
1.8 - 3.7M [6 - 12FT]:	+88.9mm-0 [+3.50in-0]
3.7 - 7.3M [12 - 24FT]:	+165.1mm-0 [+6.50in-0]
7.3-14.6M [24 - 48FT]:	+317.5mm-0 [+12.50in-0]
14.6 - 30.5M [48-100FT]:	+622.3mm-0 [+24.50in-0]
OVER 30M [100FT]	+2% OF FINISHED LENGTH

ITEM	COMPONENT	MATERIAL	FINISH
7	WRAP LABEL	VINYL	BLACK/YELLOW
6	FRICTION RING	NYLON	WHITE
5	CONTACT SOCKET	COPPER ALLOY	GOLD OVER NICKEL
4	INSERT	TPE	YELLOW
3	COUPLING NUT	ZINC DIE CAST	BLACK-E-COAT
2	OVERMOLD	TPE	YELLOW
1	CABLE, 18 AWG	PVC	YELLOW

FUNCTIONAL SYMBOLS	THIS DRAWING CONTAINS INFORMATION THAT IS PROPRIETARY TO MOLEX ELECTRONIC TECHNOLOGIES, LLC AND SHOULD NOT BE USED WITHOUT WRITTEN PERMISSION		CURRENT REV DESC: ITEM# 2 & 4 WERE PVC.ITEM #7 WAS PLASTIC FILM. ADDED ITEM #6, UL NUMBER, PN LEGEND & TOL CHART. MODIFIED PN CHART.				
	DIMENSION UNITS	SCALE					
DIVISIONAL SYMBOLS	INCH/MM	NTS	EC NO: 702709		MINI-CHANGE CORDSET, A-SIZE		
	GENERAL TOLERANCES (UNLESS SPECIFIED)		DRWN: ABENJAMINLW 2021/05/20		3-POLE, FEMALE, STRAIGHT, SINGLE KEY, #18 AWG		
DIVISIONAL SYMBOLS	4 PLACES	±----	CHK'D: RSTONE 2022/04/11		PRODUCT CUSTOMER DRAWING		
	3 PLACES	±----	APPR: BWOODMAN 2022/04/16		DOCUMENT NUMBER		
	2 PLACES	±----	INITIAL REVISION:		DOC TYPE/DOC PART/REVISION		
	1 PLACE	±----	DRWN: LHARTMAN 2009/12/29		SD-130006-029		
0 PLACES	±----	APPR: JFMURPHY 2010/01/05		PSD 001 B			
ANGULAR TOL ± ---- °		THIRD ANGLE PROJECTION		DRAWING		SHEET NUMBER	
DRAFT WHERE APPLICABLE MUST REMAIN WITHIN DIMENSIONS		C-SIZE		SERIES		MATERIAL NUMBER	
				130006		SEE CHART	
				GENERAL MARKET		1 OF 1	

FACE VIEW-FEMALE INSERT



10X000A03XXXXX

POLES	LENGTH	COUPLING NUT
2	M010 - 1 METER	1 - SS STR.
3	M100 - 10 METER	2 - N-M
4	F060 - 6 FEET	3 - NB
5	F600 - 60 FEET	8 - SS HEX BLANK - ZINC STR.

SPECIFICATIONS

MATERIALS:

COUPLING NUT: SEE CHART
 CONTACTS: COPPER ALLOY, GOLD PLATED
 INSERT: PVC, YELLOW
 OVERMOLD: PVC, YELLOW
 CABLE: 18AWG YELLOW PVC, 2-5 CONDUCTORS DEPENDENT ON POLE COUNT

ELECTRICAL:

CURRENT RATING: 10A (2P & 3P), 7A (4P), 5.6A (5P)
 VOLTAGE: 300V

MECHANICAL:

TEMPERATURE RATING: -20°C TO 105°C
 PROTECTION: IP67 (IN FULLY MATED POSITION)

INITIAL RELEASE EC NO: IPG2015-0104 DRWN: BARDEN 2014/07/17 CHKD: BRUPERT 2014/07/18 APPR: JFMURPHY 2014/08/02	DESCRIPTION REV	QUALITY SYMBOLS	GENERAL TOLERANCES (UNLESS SPECIFIED)		DIMENSION STYLE		SCALE	DESIGN UNITS	THIRD ANGLE PROJECTION			
		▽=0 ∇=0	mm	INCH	IN/MM	NTS	INCH					
		4 PLACES ±--- ±--- 3 PLACES ±--- ±.005 2 PLACES ±0.13 ±.010 1 PLACE ±0.25 ±.020	ANGULAR ±1/2°		DRAWN BY DATE	TITLE						
		DRAFT WHERE APPLICABLE MUST REMAIN WITHIN DIMENSIONS		SEE CHART		BARDEN 2014/07/17	MINI-CHANGE ASSEMBLY 2-5P FE STRAIGHT 18AWG CABLE					
				APPROVED BY DATE		DOCUMENT NO.		SHEET NO.				
				JFMURPHY 2014/08/02		SD-130006-070		1 OF 1				
				MATERIAL NO.		THIS DRAWING CONTAINS INFORMATION THAT IS PROPRIETARY TO MOLEX INCORPORATED AND SHOULD NOT BE USED WITHOUT WRITTEN PERMISSION						
				SIZE B								