



SPECIFICATION FOR APPROVAL

CRYSTAL UNIT

Features

Frequency range :

External dimensions (mm)

L : 3.2 x W : 2.5 x H : 0.95



Electrical Characteristics

NO.	Parameters		Specifications	Notes	
1	Nominal frequency	F0	1.000~80.000MHz	Or customizable	
2	Mode of Oscillation	-	Fundamental	1.000~60.000MHz	
			3rd	60.000~80.000MHz	
3	Output Load	-	15pF	Or customizable	
4	Frequency Tolerance	FL	±10ppm	Or customizable	
5	Frequency Stability	TC	±30ppm	Or customizable	
6	Operating Temperature	-	-40°C~+85°C	Or customizable	
7	Supply Voltage	Vdd	3.3V±10%	Or customizable	
8	Output waveform	-	CMOS		
9	Duty Cycle	TH/T	45~55%		
10	Start-up Time (Max)	Tosc	5ms	Or customizable	
11	Rise Time (Max)	Tr	5ns	Or customizable	
12	Fall Time (Max)	Tf	5ns	Or customizable	
13	Output Logic VoH (Min)	VoH	0.9 Vdd		
14	Output Logic VoL (Max)	VoL	0.1Vdd		
15	Tri-State	Output Enable	0.7Vdd or Floating	Min	Pin 1 Tri-state
		Output Disable	0.3Vdd	Max	
16	Aging	-	±3ppm	Or customizable	
16	Storage Temperature Range	-	-55~+125°C		

★Note: If you need customization, please communicate with us.

地址：安徽省合肥市经开区云谷路 2569 号

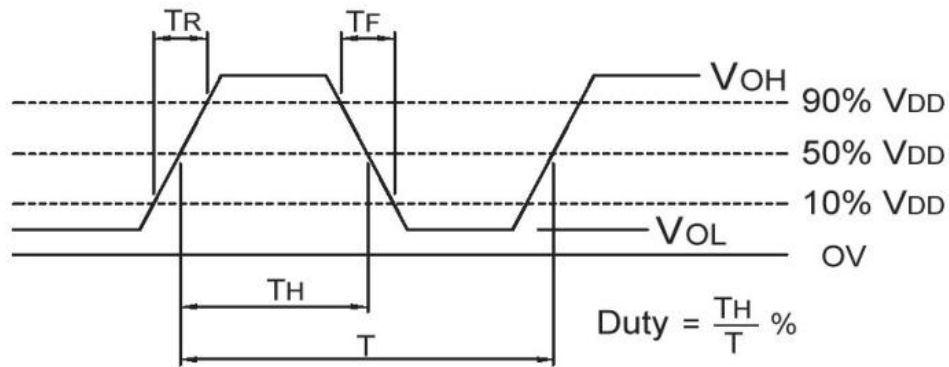
ADD: No. 2569 YunGu Road, HeFei Economy & Technology Development District

Mail: chehangyuan@hfjwt.cn

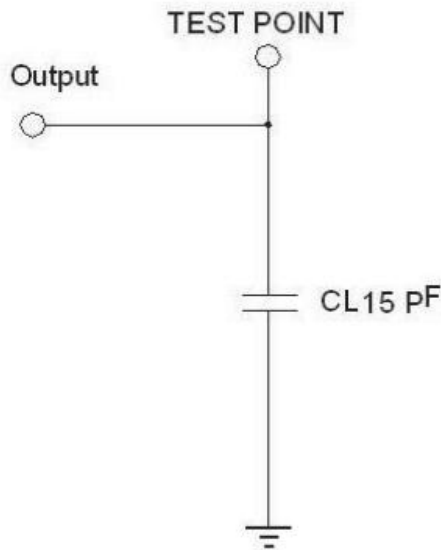
http: //www. hfjwt. cn



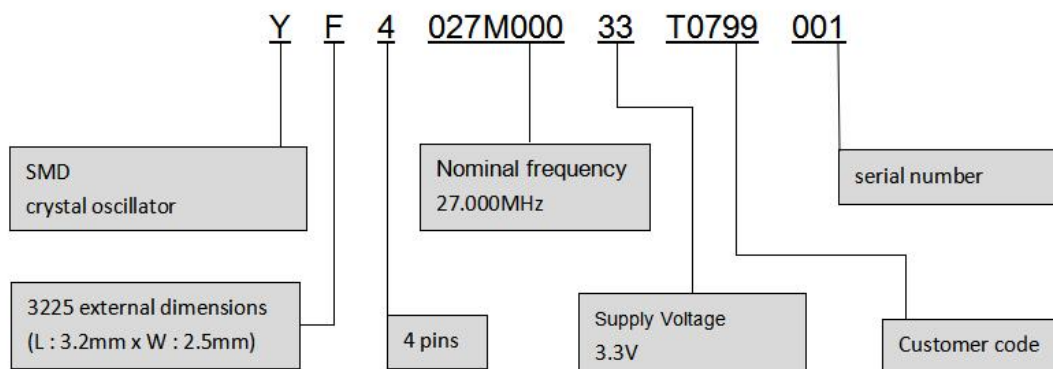
CMOS load output waveform



CMOS load test circuit



Ordering Information



地址：安徽省合肥市经开区云谷路 2569 号

ADD: No. 2569 YunGu Road, HeFei Economy & Technology Development District

Mail: chehangyuan@hfjwt.cn

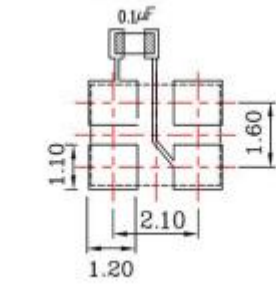
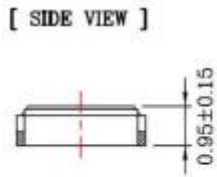
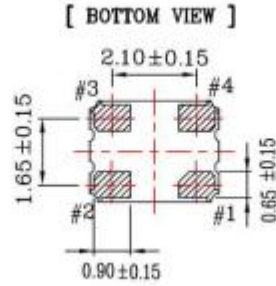
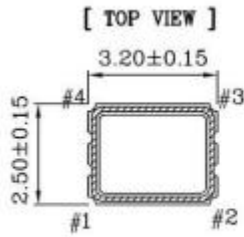
http: //www. hfjwt. cn



SPECIFICATION FOR APPROVAL

CRYSTAL UNIT

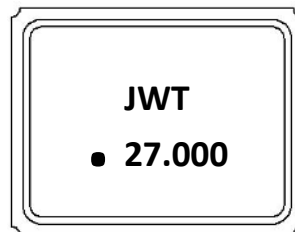
Dimensions



★ To ensure optimal oscillator performance, Place a by-pass capacitor of 0.1µF as close to the part as possible between VDD and GND pads.

Pin	Function
#1	Tri-State
#2	GND
#3	Output
#4	V _{DD}

Marking



- JWT ----- Logo
- 27.000 ----- Frequency
- ----- Pin1

地址：安徽省合肥市经开区云谷路 2569 号

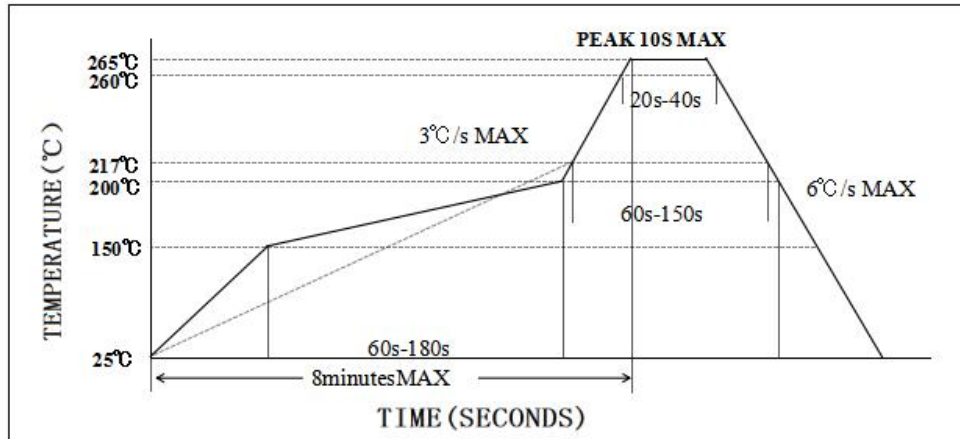
ADD: No. 2569 YunGu Road, HeFei Economy & Technology Development District

Mail: chehangyuan@hfjwt.cn

http: //www. hfjwt. cn

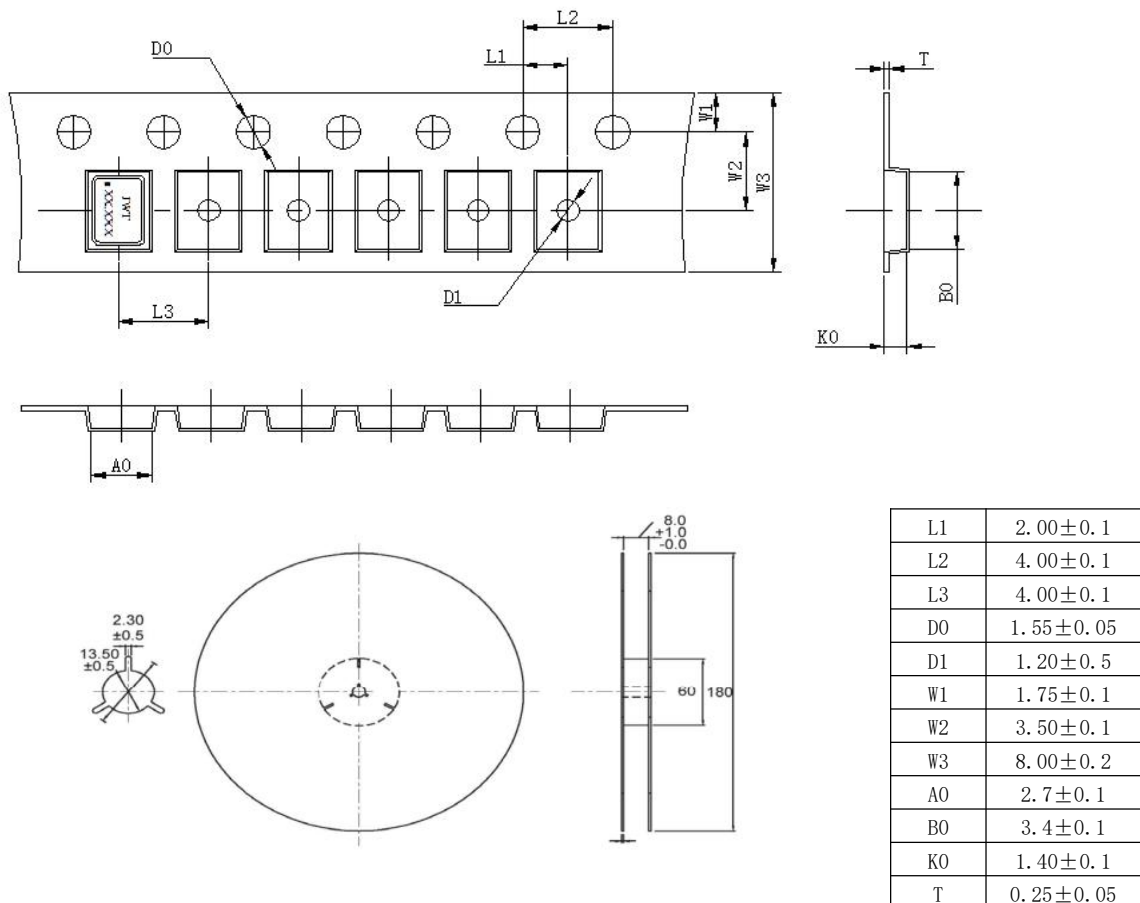


Reflow Profile



Reference standard: JEDEC J-STD-020. (lead free)

Dimension of taping and reel



地址：安徽省合肥市经开区云谷路 2569 号

ADD: No. 2569 YunGu Road, HeFei Economy & Technology Development District

Mail: chehangyuan@hfjwt.cn

http://www.hfjwt.cn