

DETAIL T
下部詳細

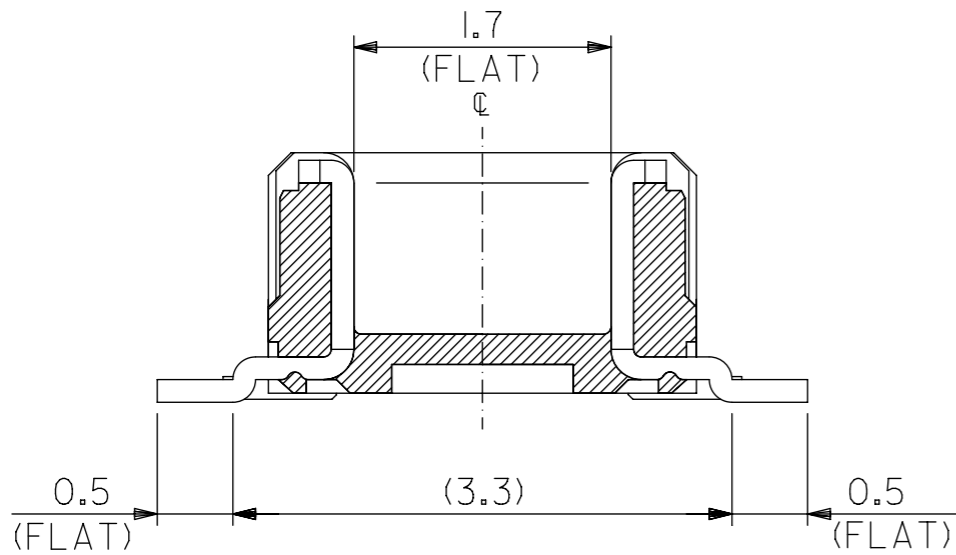
注記 NOTES:

1. 使用材料
MATERIAL
ハウジング : 液晶ポリマー (LCP), ガラス充填, UL94V-0, 色 : 黒
HOUSING : LIQUID CRYSTAL POLYMER(LCP), GLASS FILLED, UL94V-0, COLOR: BLACK
ターミナル : 銅合金 (t=0.15)
TERMINAL : COPPER ALLOY (t=0.15)
ネイル : 銅合金 (t=0.15)
NAIL : COPPER ALLOY (t=0.15)
2. メッキ仕様
PLATING
ターミナル
TERMINAL
接点部 : 金メッキ 0.25 マイクロメートル以上
CONTACT AREA: GOLD 0.25 MICROMETER MINIMUM
半田付け部 : 金メッキ 0.35 マイクロメートル以下
SOLDER TAIL AREA : GOLD 0.35 MICROMETER MAXIMUM
下地メッキ : ニッケルメッキ 1.5 マイクロメートル以上
UNDER PLATING : NICKEL 1.5 MICROMETER MINIMUM
ネイル
NAIL
錫メッキ 1.0 マイクロメートル以上
TIN 1.0 MICROMETER MINIMUM
下地メッキ : ニッケルメッキ 1.0 マイクロメートル以上
UNDER PLATING : NICKEL 1.0 MICROMETER MINIMUM
3. テール平坦度は、0.08 ミリメートル以下
テールとネイルを併せた平坦度は、0.1 ミリメートル以下
TAIL COPLANARITY TO BE 0.08 MAXIMUM.
TAILS AND NAILS COPLANARITY TO BE 0.1 MAXIMUM.
4. 嵌合相手: 54363シリーズ (嵌合高さ=2.0mm)
MATE WITH: 54363 SERIES (HEIGHT =2.0mm)
5. 本製品は55650-***8 の鉛フリー品である
THIS PRODUCT IS LEAD FREE OF 55650-***8

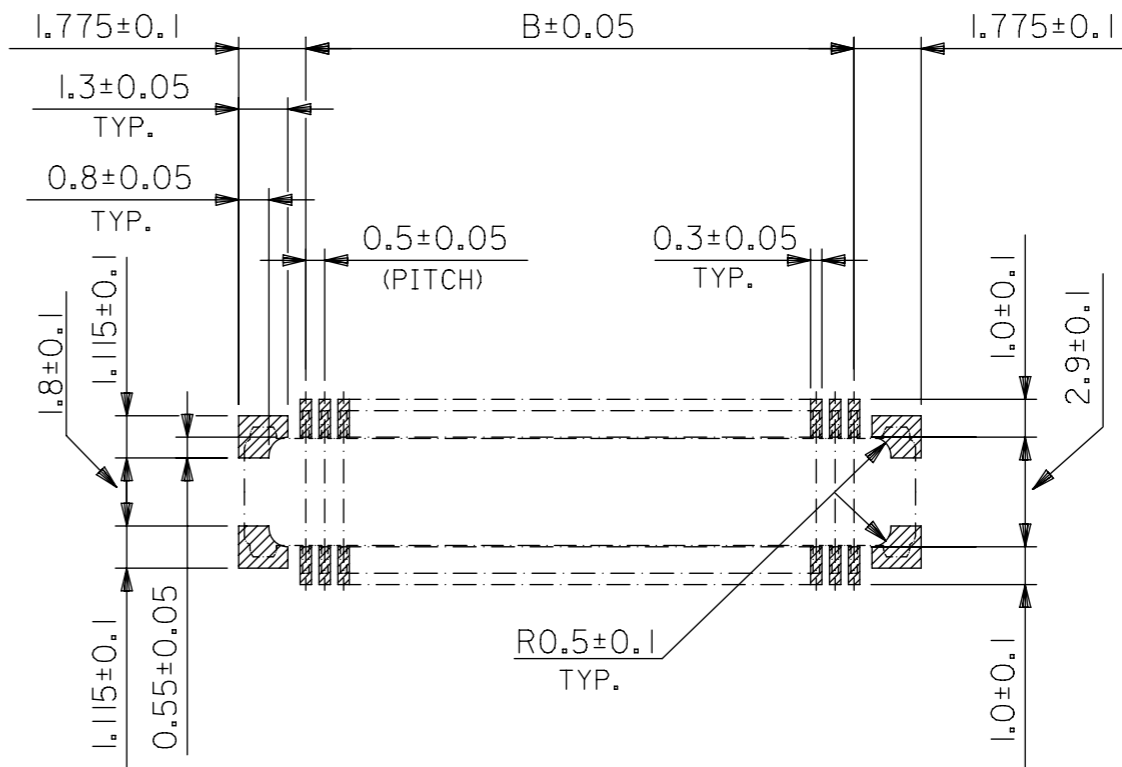
4	18.05	17.0	20.25	55650-0788	70
8	15.55	14.5	17.75	55650-0688	60
12	13.05	12.0	15.25	55650-0588	50
20	10.55	9.5	12.75	55650-0488	40
30	8.05	7.0	10.25	55650-0388	30
20	5.55	4.5	7.75	55650-0288	20
ロック数 LOCKS	C	B	A	EMBOSSED PACKAGE	極数 CIRCUIT
				オーダー番号 ORDER No.	

CONNECTOR SERIES No. 55650-**81

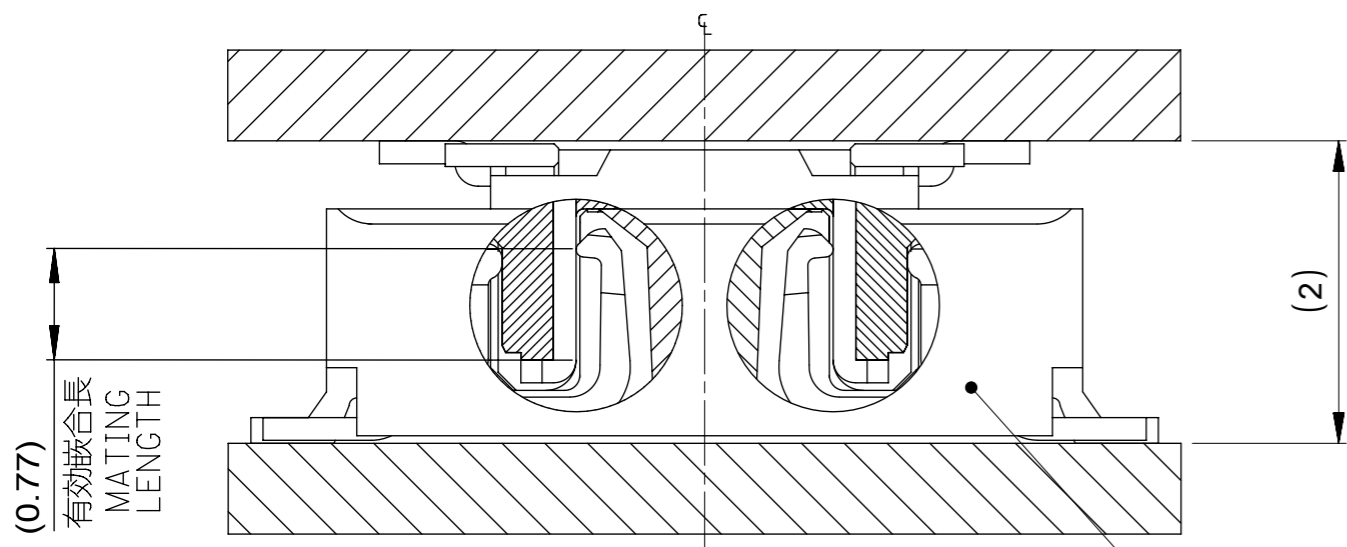
THIS DRAWING CONTAINS INFORMATION THAT IS PROPRIETARY TO MOLEX ELECTRONIC TECHNOLOGIES, LLC AND SHOULD NOT BE USED WITHOUT WRITTEN PERMISSION		CURRENT REV DESC: REVISED		molex	
DIMENSION UNITS MM	SCALE ---	GENERAL TOLERANCES (UNLESS SPECIFIED)			
GENERAL TOLERANCES (UNLESS SPECIFIED)		ANGULAR TOL ± 30°		EC NO: 642297	
10 ^{UNDER}	±0.2	4 PLACES	± 0.2	DRWN: SUDAYGUNAGI	2020/09/10
10 ^{OVER} 30 ^{UNDER}	±0.25	3 PLACES	± 0.25	CHK'D: HSHIMOYAMA	2020/11/30
30 ^{OVER}	±0.3	2 PLACES	± 0.3	APPR: SHOSHIKAWA	2020/11/30
ANGULAR±3°		1 PLACE	±	INITIAL REVISION:	
DRAFT WHERE APPLICABLE MUST REMAIN WITHIN DIMENSIONS		0 PLACES	±	DRWN: M. NAGATA	2004/03/09
DRAFT WHERE APPLICABLE MUST REMAIN WITHIN DIMENSIONS		THIRD ANGLE PROJECTION		APPR: M. SASAO	2004/03/09
DRAWING		SERIES		DOCUMENT NUMBER	
A3-SIZE		55650		SD-55650-013	
MATERIAL NUMBER		CUSTOMER		DOC TYPE DOC PART REVISION	
SEE TABLE		GENERAL		PSD 001 C	
SHEET NUMBER		1 OF 2			



製品断面図 (半田付け部 吸着面寸法)
 DETAIL FOR SOLDERING AND VACUUM AREA



推奨基板寸法
 RECOMMENDED PCB PATTERN LAYOUT
 (SCALE 5:1)



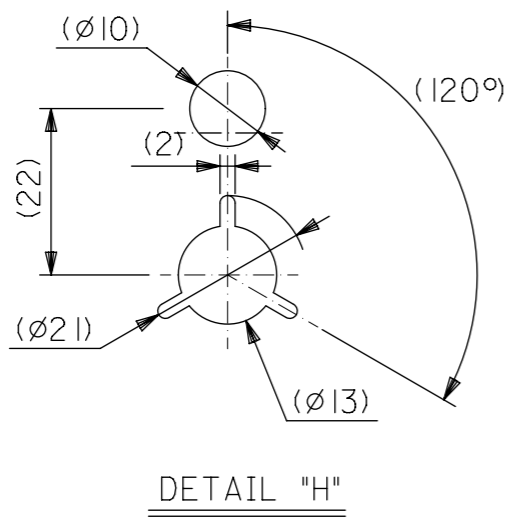
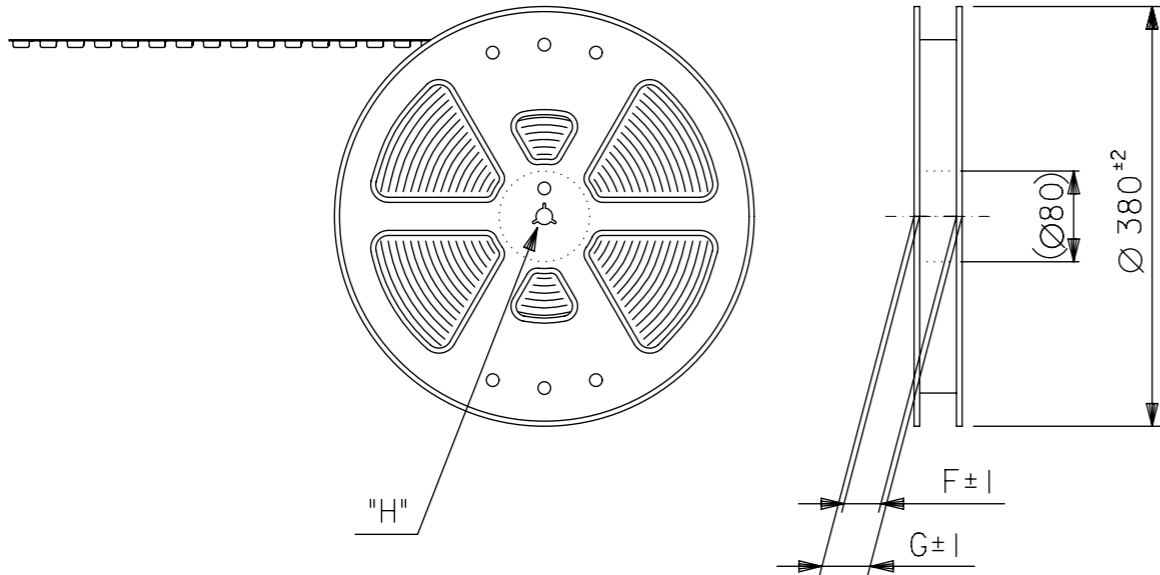
嵌合断面図 (参考)
 MATED DRAWING (REF.)

嵌合相手
 MATE WITH
 54363-**78 (黒 BLACK)
 54363-**89 (黒 BLACK)

THIS DRAWING CONTAINS INFORMATION THAT IS PROPRIETARY TO MOLEX ELECTRONIC TECHNOLOGIES, LLC AND SHOULD NOT BE USED WITHOUT WRITTEN PERMISSION

DIMENSION UNITS	SCALE	CURRENT REV DESC: REVISED	
MM	---		
GENERAL TOLERANCES (UNLESS SPECIFIED)		molex	
ANGULAR TOL ± 30°		0.5 MM PITCH B-TO-B CONN. HEIGHT = 2 PLUG	
GENERAL TOLERANCES (UNLESS SPECIFIED)	4 PLACES ± 0.2	EC NO: 642297	2020/09/10
10 ^{UNDER} ± 0.2	3 PLACES ± 0.25	DRWN: SUDAYGUNAGI	2020/11/30
10 ^{OVER} ± 0.25	2 PLACES ± 0.3	CHK'D: HSHIMUYAMA	2020/11/30
30 ^{OVER} ± 0.3	1 PLACE ±	APPR: SHOSHIKAWA	2020/11/30
ANGULAR ± 3°	0 PLACES ±	INITIAL REVISION:	
DRAFT WHERE APPLICABLE MUST REMAIN WITHIN DIMENSIONS	DRAFT WHERE APPLICABLE MUST REMAIN WITHIN DIMENSIONS	DRWN: M. NAGATA	2004/03/09
		APPR: M. SASAO	2004/03/09
THIRD ANGLE PROJECTION	DRAWING	SERIES	MATERIAL NUMBER
	A3-SIZE	55650	SEE SHEET 1
		CUSTOMER	SHEET NUMBER
		GENERAL	2 OF 2

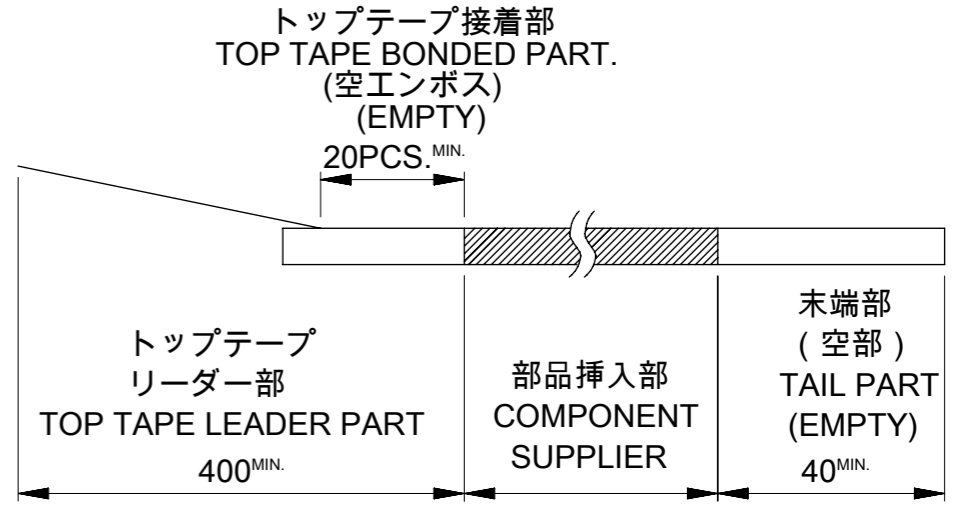
引き出し方向
PULL OUT DIRECTION



NOTES

- 製品詳細寸法については図面SD-55650-013を参照下さい。
DETAIL DIMENSION, SEE SD-55650-013.
- 梱包数量 : 2500個 / リール
NUMBER OF CONNECTORS : 2500PCS/REEL
- リードテープ長さ
LEAD TAPE LENGTH

引き出し方向
PULL OUT DIRECTION



- カバーテープの剥離強度については、IEC60286-3に準拠
COVER TAPE PEEL FORCE IS DEFINED BY IEC60286-3.
- 材料

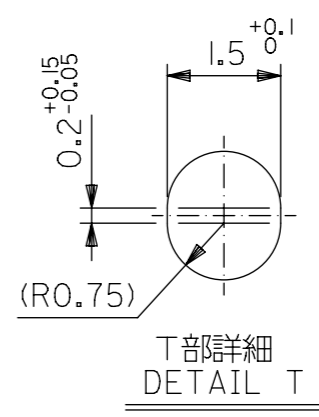
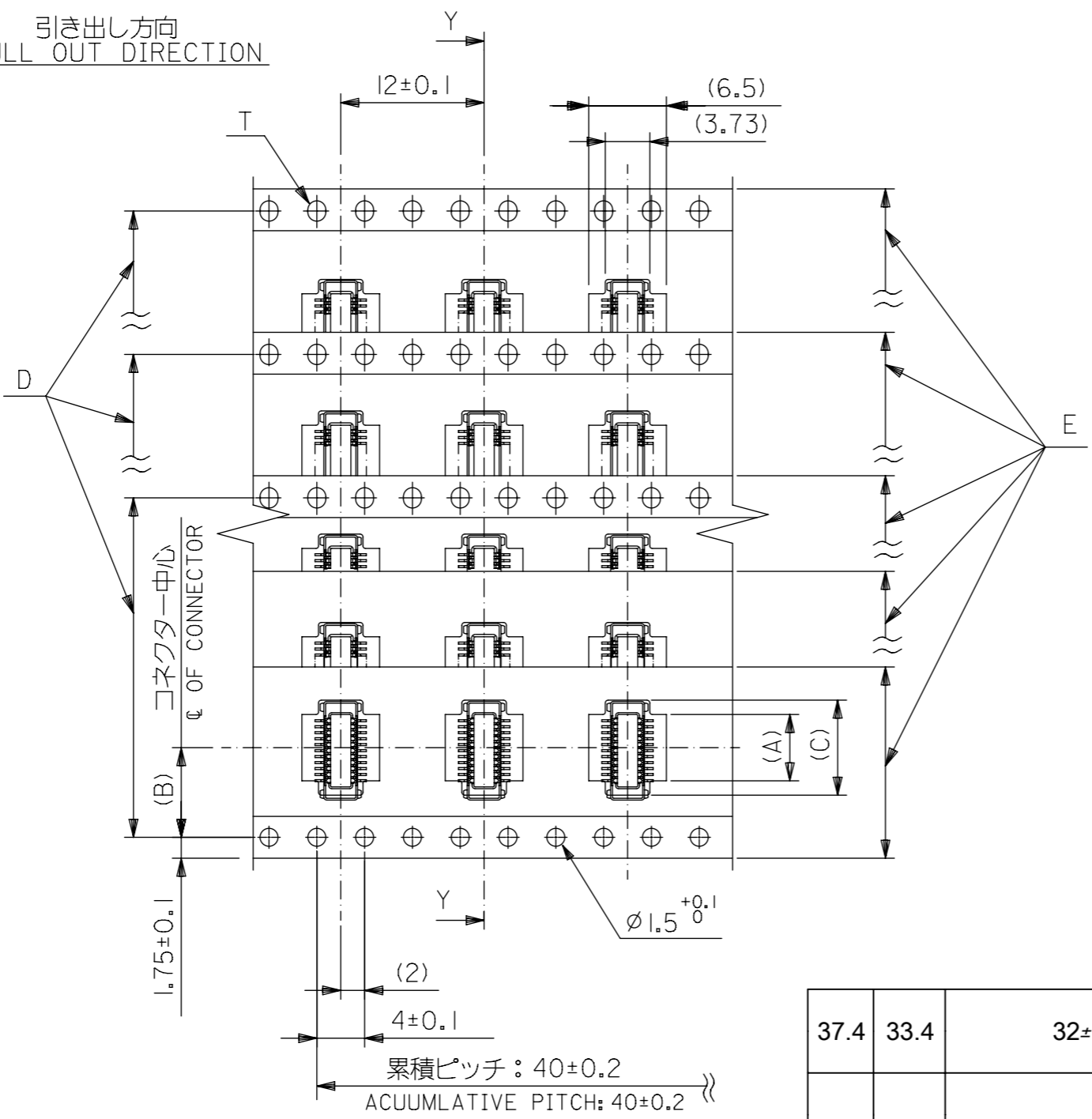
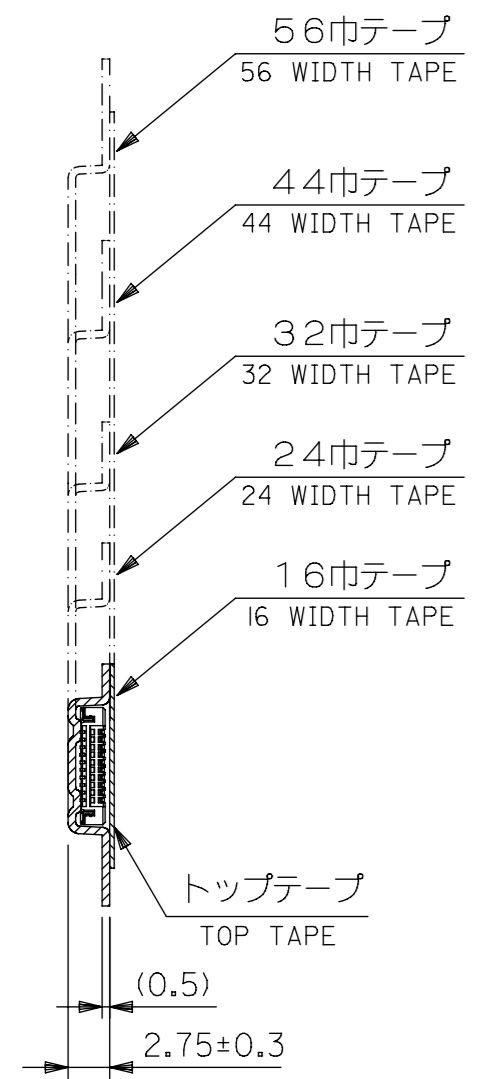
MATERIAL

キャリアテープ : ポリプロピレン (PP)
CARRIER TAPE : POLYPROPYLENE (PP)
トップテープ : PET , PE , PEF
TOP TAPE : PET , PE , PEF
リール : ポリスチレン (PS) <リサイクル材を含む>
REEL : POLYSTYREN(PS) <RECYCLE MATERIAL CONTANED>

- 本製品は55650-***8の鉛フリー品である。
THIS PRODUCT IS LEAD FREE OF 55650-***8

THIS DRAWING CONTAINS INFORMATION THAT IS PROPRIETARY TO MOLEX ELECTRONIC TECHNOLOGIES, LLC AND SHOULD NOT BE USED WITHOUT WRITTEN PERMISSION		CURRENT REV DESC: REVISED		molex	
DIMENSION UNITS MM	SCALE ---	GENERAL TOLERANCES (UNLESS SPECIFIED)			
GENERAL TOLERANCES (UNLESS SPECIFIED)		ANGULAR TOL ± 30°	EC NO: 649457		0.5 MM PITCH B-TO-B CONN. HEIGHT = 2 PLUG EMBOSS TAPE PACKAGE
4 PLACES ± 0.2		3 PLACES ± 0.25	DRWN: SUDAYGUNAGI 2020/09/11		
10 ^{UNDER} ± 0.2		2 PLACES ± 0.3	CHK'D: HSHIMOYAMA 2020/12/02		
10 ^{OVER} 30 ^{UNDER} ± 0.25		1 PLACE ±	APPR: SHOSHIKAWA 2020/12/02		
30 ^{OVER} ± 0.3		0 PLACES ±	INITIAL REVISION:		
ANGULAR ± 3°		DRWN: M. NAGATA 2004/03/09		DOCUMENT NUMBER SD-55650-014	
DRAFT WHERE APPLICABLE MUST REMAIN WITHIN DIMENSIONS		DRAFT WHERE APPLICABLE MUST REMAIN WITHIN DIMENSIONS		DOC TYPE DOC PART REVISION PSD 001 C	
THIRD ANGLE PROJECTION		DRAWING	SERIES	MATERIAL NUMBER	CUSTOMER
A3-SIZE		55650	SEE SHEET 2	GENERAL	SHEET NUMBER 1 OF 2

引き出し方向
PULL OUT DIRECTION



37.4	33.4	32±0.3	28.4	20.45	14.2	18.05	55650-0788	70
				17.95		15.55	55650-0688	60
29.4	25.4	24±0.3	-	15.45	11.5	13.05	55650-0588	50
				12.95		10.55	55650-0488	40
				10.45		8.05	55650-0388	30
21.4	17.4	16±0.3		7.95	7.5	5.55	55650-0288	20
G	F	E キャリアテープ幅 CARRIER TAPE WIDTH	D	(C)	(B)	(A)	EMBOSSED TAPE PACKAGE オーダー番号 ORDER No.	極数 CIRCUITS

THIS DRAWING CONTAINS INFORMATION THAT IS PROPRIETARY TO MOLEX ELECTRONIC TECHNOLOGIES, LLC AND SHOULD NOT BE USED WITHOUT WRITTEN PERMISSION

DIMENSION UNITS: MM SCALE: ---

GENERAL TOLERANCES (UNLESS SPECIFIED)

10 ^{UNDER}	±0.2	4 PLACES	± 0.2
10 ^{OVER} 30 ^{UNDER}	±0.25	3 PLACES	± 0.25
30 ^{OVER}	±0.3	2 PLACES	± 0.3
		1 PLACE	±
		0 PLACES	±

ANGULAR TOL ± 30°

DRAFT WHERE APPLICABLE MUST REMAIN WITHIN DIMENSIONS

THIRD ANGLE PROJECTION

DRAWING: A3-SIZE

SERIES: 55650

MATERIAL NUMBER: SEE TABLE

CUSTOMER: GENERAL

SHEET NUMBER: 2 OF 2

EC NO: 649457
DRWN: SUDAYGUNAGI 2020/09/11
CHK'D: HSHIMOYAMA 2020/12/02
APPR: SHOSHIKAWA 2020/12/02

INITIAL REVISION:
DRWN: M. NAGATA 2004/03/09
APPR: M. SASAO 2004/03/09

DOCUMENT NUMBER: SD-55650-014

DOC TYPE: PSD

DOC PART: 001

REVISION: C

molex

0.5 MM PITCH B-TO-B CONN.
HEIGHT = 2 PLUG EMBOSS TAPE PACKAGE

PRODUCT CUSTOMER DRAWING