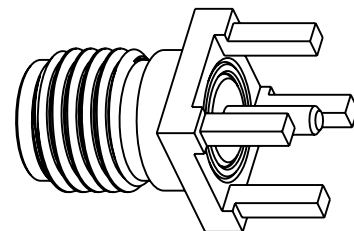


NOTES:

1. MATERIALS AND FINISHES:  
 BODY - BRASS, GOLD PLATING  
 CONTACT - BERYLLIUM COPPER, GOLD PLATING  
 INSULATOR - PTFE, NATURAL

2. ELECTRICAL:  
 A. IMPEDANCE: 50OHM  
 B. FREQUENCY RANGE: DC-18GHz  
 C. DIELECTRIC WITHSTANDING VOTAGE :1000VRMS,MIN.

3. MECHANICAL:  
 A. DURABILITY: 500 CYCLES MIN.  
 B. TEMPERATURE RANGE: -65°C TO +165°C

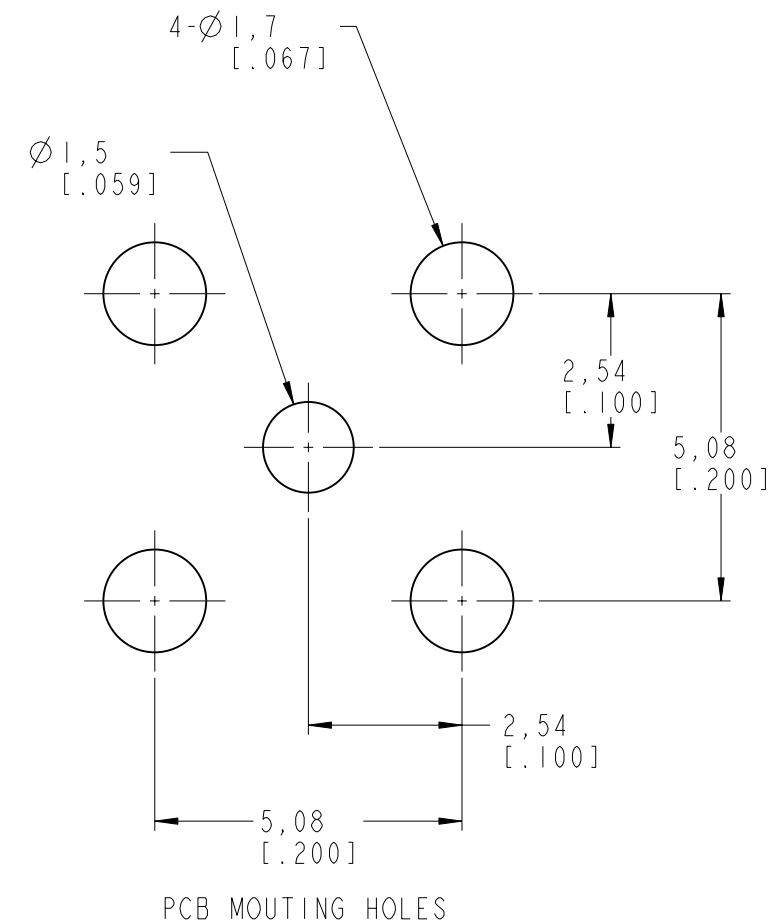
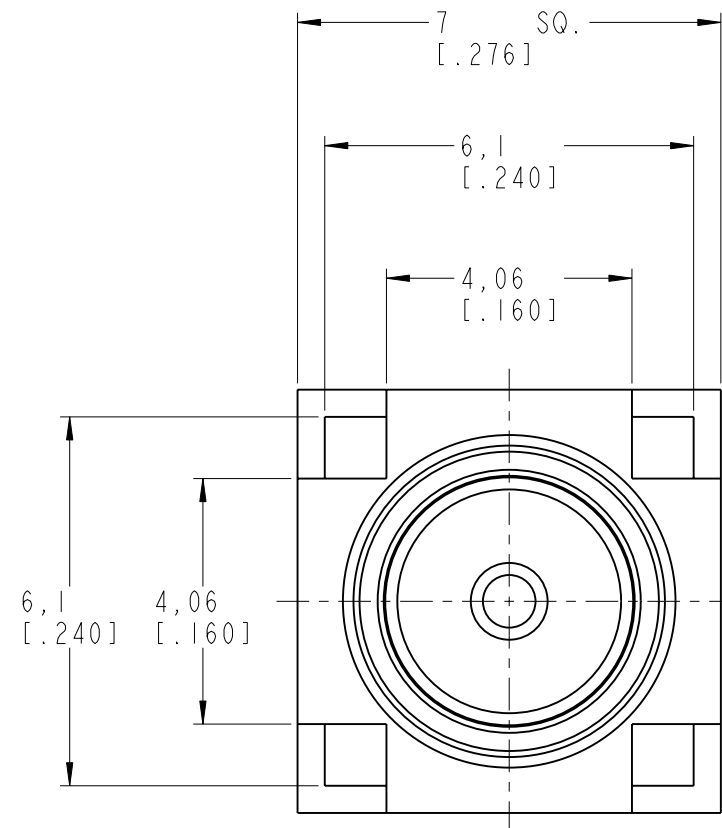
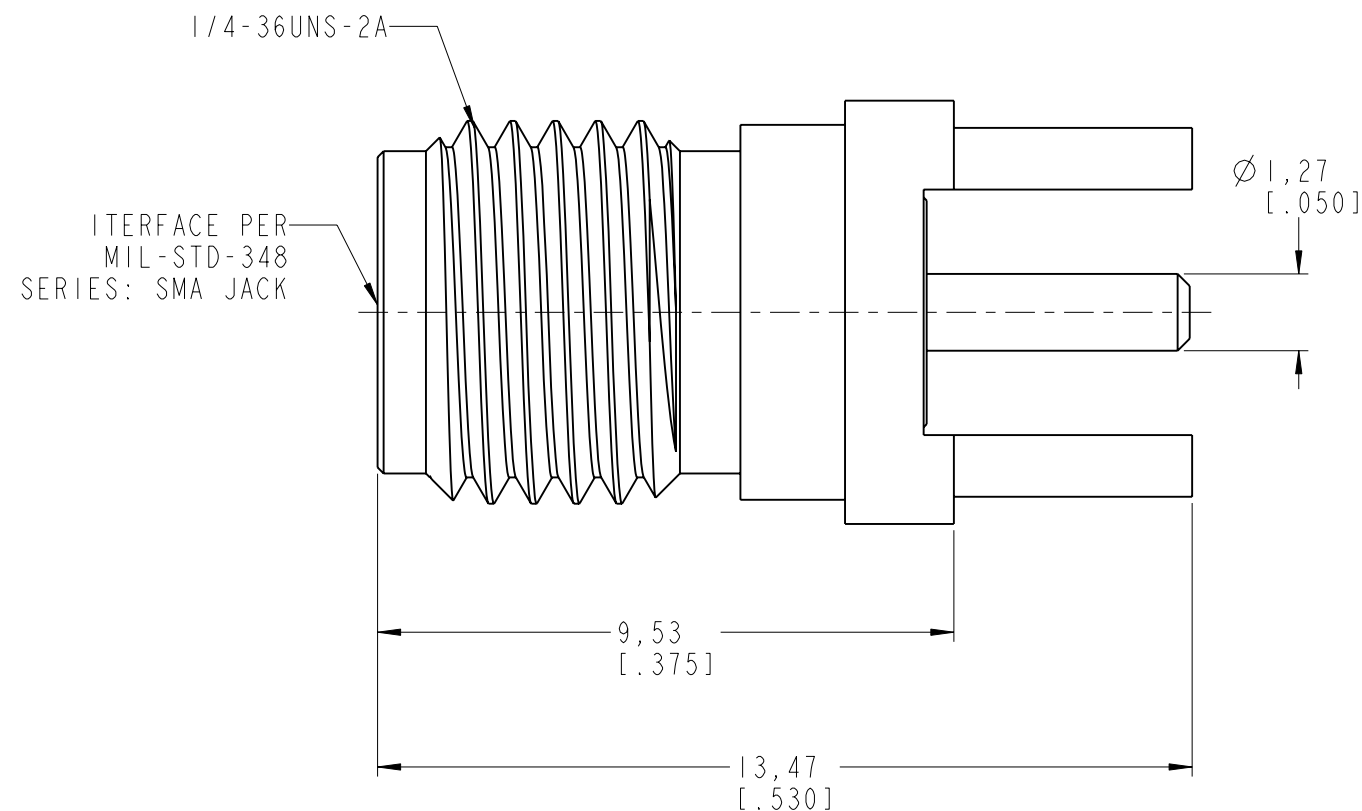


SCALE 3.000

THIRD ANGLE PROJ.

REVISIONS

| REV | DESCRIPTION                                     | DATE      | ECO   | APPR |
|-----|---|-----------|-------|------|
| B   | NO.5 SMA7700-5-C WAS SMA7700-5-B\RD-DM04091601W | 16-Sep-14 | --    | SH   |
| C   | ADD COD DRAWING\RD-DMI4101701J9                 | 10-Nov-14 | 50226 | SH   |
| D   | SYNC, ADD INTERFACE DIMENSIONS\N/A              | 20-Oct-15 | 50665 | SH   |



**CUSTOMER OUTLINE DRAWING**

ALL OTHER SHEETS ARE FOR INTERNAL USE ONLY

|   |  |          |           |                          |  |
|---|--|----------|-----------|--------------------------|--|
| UNLESS OTHERWISE SPECIFIED, DIMENSIONS ARE IN METRIC AND TOLERANCES ARE:<br><0.5mm ±0.05mm    0.5 - 6mm ±0.1mm    6 - 30mm ±0.2mm    30 - 120mm ±0.3mm    ANGLES ±1°  | MATERIAL                                   | DRAWN    | DATE      | TITLE<br>SMA P.C.B. JACK | Amphenol RF<br>www.amphenolrf.com  |
|   | -  | M. ZHANG | 19-Oct-15 |                          |  |
| NOTICE - These drawings, specifications, or other data (1) are, and remain the property of Amphenol corp. (2) must be returned upon request; and (3) are confidential and not to be disclosed to any person other than those to whom they are given by Amphenol Corp. the furnishing of these drawings, specifications, or other data by Amphenol Corp., or to any other person to anyone for any purpose is not to be regarded by implication or otherwise in any manner licensing, granting rights to permitting such holder or any other person to manufacture, use or sell any product, process or design, patented or otherwise, that may in any way be related to or disclosed by said drawings, specifications, or other data. | REFERENCE AND CONFIGURATION LEVEL: In Work | ENGINEER | DATE      | SCALE: 8.0:1.0           | SHEET 2 OF 2   |
|   | FINISH                                     | S. HSIEH | 19-Oct-15 | DWG SIZE B               | REV D  |
|   |  |          |           |                          |  |
|   |  |          |           |                          | DRAWING NO. SMA6251A1-3GT50G-50<br>ITEM NO. 116251AAA01AL5F<br>PART NO. 901-144-8RFX |