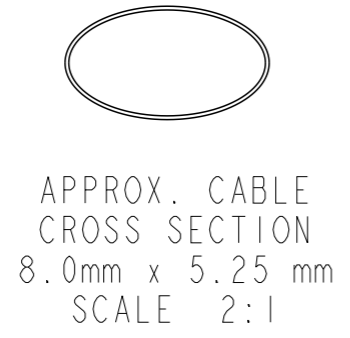
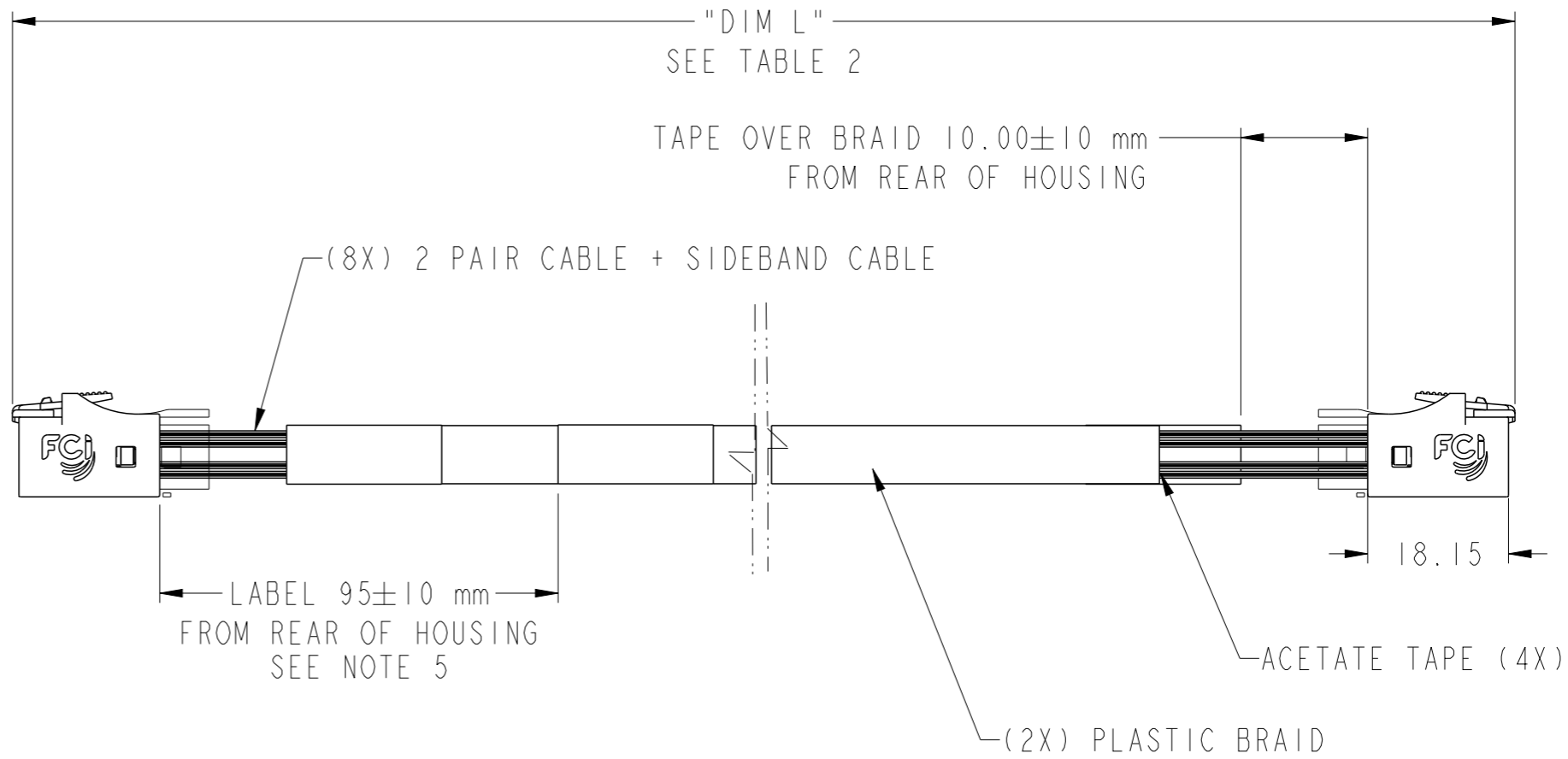
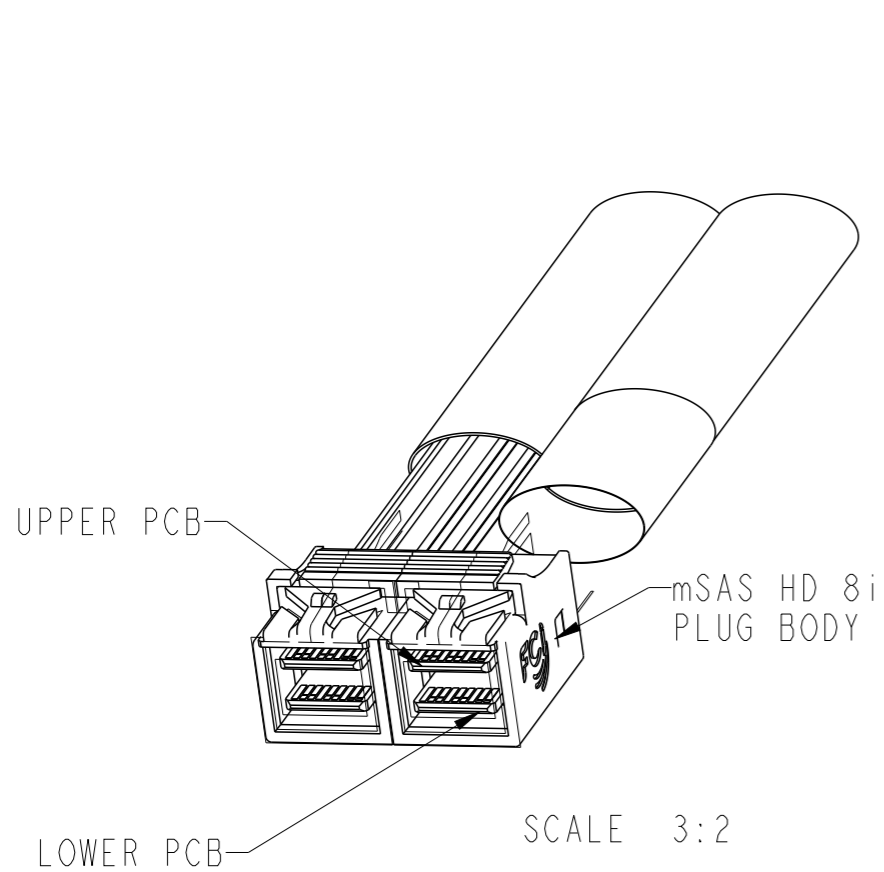


FCI PART NUMBER	DESCRIPTION	NOTES
10126495-XXXXLF	CONTROLLER TO BACKPLANE CONFIGURATION	SEE TABLE 1



Copyright FCI.

spec ref	-	dr	Jason Gu	2013/10/24	projection	mm	size	A3	scale	1:1	
tolerance std	ISO 406 ISO 1101	eng	Jason Gu	2013/10/28			ecn no	ELX-N-16158-1	rel level	Released	
TOLERANCES UNLESS OTHERWISE SPECIFIED		chr	-	app							Roger Cheng
surface	ISO 1302	linear	0.X	±0.3		title mSAS HD INTERNAL (8i) CABLE ASSEMBLY- 12 Gb/s	dwg no 10126495	rev B	Product - Customer Drw		
		angular	0°	±2°					cat. no.	-	sheet 1 of 4
									www.fci.com		

FCI PART NUMBER	DESCRIPTION	NOTES
10126495-XXXXLF	CONTROLLER TO BACKPLANE CONFIGURATION	SEE TABLE 1

TABLE 1 - CABLE PART NUMBER LIST			
PART NUMBER	"DIM L" CABLE LENGTH (METERS)	AWG	NOTES
10126495-2030LF	0.3	30	CONTROLLER TO BACKPLANE WIRING CONFIGURATION (SHEET 2) ----- (SEE SHEET 3 FOR ALL NOTES)
10126495-2040LF	0.4	30	
10126495-2050LF	0.5	30	
10126495-2060LF	0.6	30	
10126495-2070LF	0.7	30	
10126495-2080LF	0.8	30	
10126495-2090LF	0.9	30	
10126495-2100LF	1.0	30	

NOTE:
1. ALL CABLE PERFORMANCE COMPLIANT SAS3.0
2. CABLE MORE THAN 1M COULD NOT MEET INSERTION LOSS -11dB MAX.

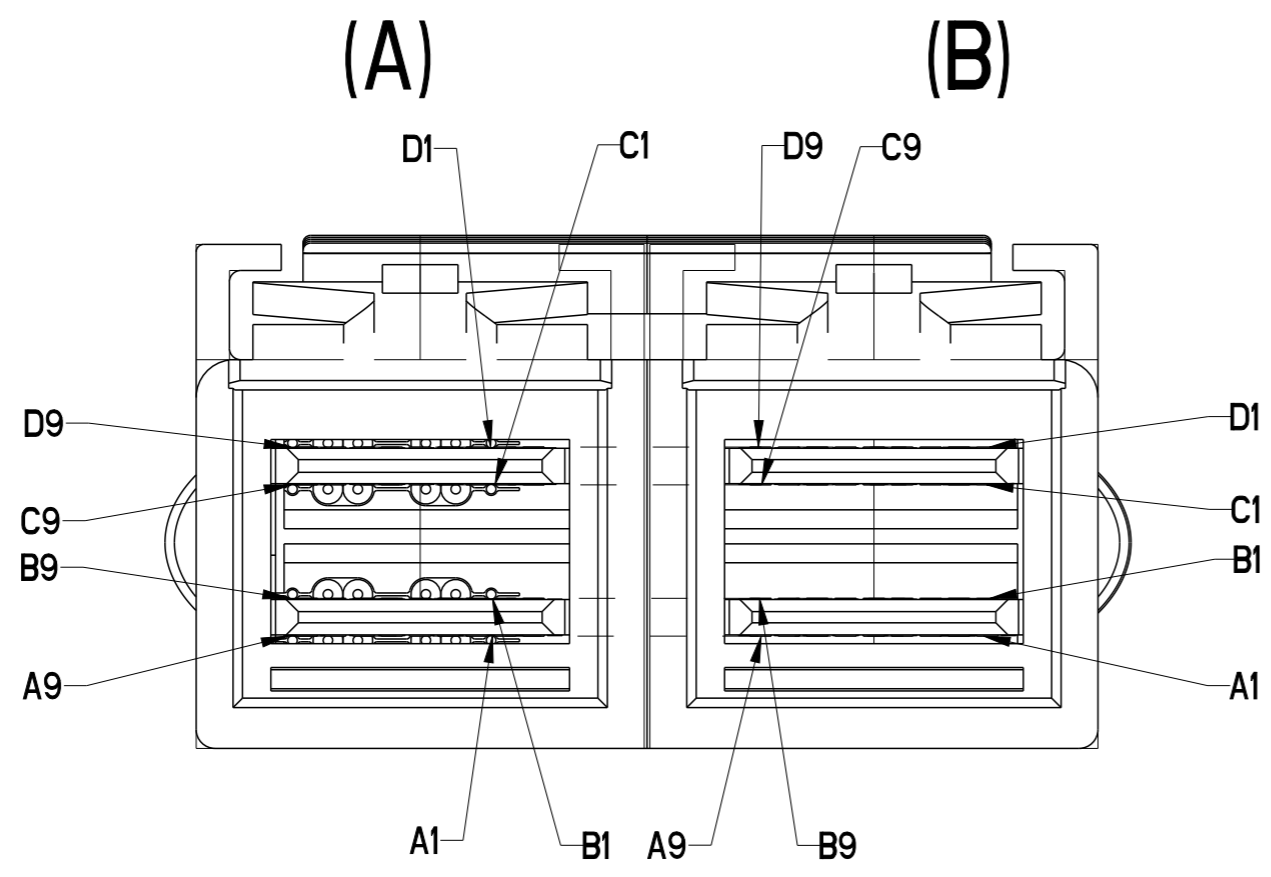
spec ref	-	dr	Jason Gu	2013/10/24	projection	mm	size	A3	scale	1:1	
tolerance std	ISO 406 ISO 1101	eng	Jason Gu	2013/10/28		← →	ecn no	ELX-N-16158-1			
TOLERANCES UNLESS OTHERWISE SPECIFIED		chr	-	-			product family	-	rel level	Released	
surface	✓	appr	Roger Cheng	2013/10/30	mSAS HD INTERNAL (8i) CABLE ASSEMBLY- 12 Gb/s		dwg no	10126495		rev	B
ISO 1302	linear	0.X	±0.3		www.fci.com	cat. no.	-	Product - Customer Drw	sheet 2 of 4		
	0.XX	±0.10									
	0.XXX	±0.005									
	angular	0°	±2°								



Copyright FCI.

FCI PART NUMBER	DESCRIPTION	NOTES
10126495-XXXXLF	CONTROLLER TO BACKPLANE CONFIGURATION	SEE TABLE 1

P1-(A) TO P2-(A)
P1-(B) TO P2-(B)



SCALE 5:1

LEGEND	
	HIGH-SPEED SERIAL DIFFERENTIAL PAIRS
	SIGNAL RETURN
	SIDEBAND SIGNAL

WIRING LIST (CONTROLLER TO BACKPLANE)				
END P1 A/B (CONTROLLER)			END P2 A/B (BACKPLANE)	
POSITION	SYMBOL		POSITION	SYMBOL
D9	GROUND	-----	B9	GROUND
D8	Tx2-		B8	Rx2-
D7	Tx2+		B7	Rx2+
D6	GROUND	-----	B6	GROUND
D5	Tx0-		B5	Rx0-
D4	Tx0+		B4	Rx0+
D3	GROUND	-----	B3	GROUND
D2	SIDEBAND 6		D1	SIDEBAND 6
D1	SIDEBAND 5		D2	SIDEBAND 5
C1	SIDEBAND 4		C2	SIDEBAND 4
C2	SIDEBAND 2		C1	SIDEBAND 2
C3	GROUND	-----	A3	GROUND
C4	Tx1+		A4	Rx1+
C5	Tx1-		A5	Rx1-
C6	GROUND	-----	A6	GROUND
C7	Tx3+		A7	Rx3+
C8	Tx3-		A8	Rx3-
C9	GROUND	-----	A9	GROUND
B9	GROUND	-----	D9	GROUND
B8	Rx2-		D8	Tx2-
B7	Rx2+		D7	Tx2+
B6	GROUND	-----	D6	GROUND
B5	Rx0-		D5	Tx0-
B4	Rx0+		D4	Tx0+
B3	GROUND	-----	D3	GROUND
B2	SIDEBAND 1		B1	SIDEBAND 1
B1	SIDEBAND 3		B2	SIDEBAND 3
A1	SIDEBAND 7		A2	SIDEBAND 7
A2	SIDEBAND 0		A1	SIDEBAND 0
A3	GROUND	-----	C3	GROUND
A4	Rx1+		C4	Tx1+
A5	Rx1-		C5	Tx1-
A6	GROUND	-----	C6	GROUND
A7	Rx3+		C7	Tx3+
A8	Rx3-		C8	Tx3-
A9	GROUND	-----	C9	GROUND

spec ref	-	dr	Jason Gu	2013/10/24	projection	mm	size	A3	scale	2:1
tolerance std	ISO 406 ISO 1101	eng	Jason Gu	2013/10/28		← →	ecn no	ELX-N-16158-1	rel level	Released
TOLERANCES UNLESS OTHERWISE SPECIFIED		chr	-	apppr						
surface	ISO 1302	linear	0.X	±0.3		title	mSAS HD INTERNAL (8i) CABLE ASSEMBLY- 12 Gb/s	dwg no	10126495	rev
			0.XX	±0.10						
			0.XXX	±0.005						
		angular	0°	±2°	www.fci.com	cat. no.	-	Product - Customer Drw	sheet 3 of 4	

Copyright FCI.

NOTES:

- 1. MATERIAL:
HOUSINGS: MODIFIED POLYPHENYLENE ETHER
PADDLE CARD: PRINTED CIRCUIT SUBSTRATE
HEAT SHRINK TUBE: POLYOLEFIN
EPOXY LOCTITE
 - 2. THIS PRODUCT MEETS THE RESTRICTION OF HAZARDOUS SUBSTANCES IN ELECTRICAL AND ELECTRONIC EQUIPMENT (RoHS) DIRECTIVE (2002/95/EC)
 - 3. THIS DIMENSION IS A FINISHED PRODUCT LENGTH.
 - 4. UNLESS OTHERWISE SPECIFIED ASSEMBLED LENGTH TOLERANCE IS TO BE:
"DIM L" < 1 METER = ±15mm
"DIM L" 1 METER TO 10 METERS = ± 2% OF "DIM L"
 - 5. UNLESS OTHERWISE SPECIFIED LABEL POSITION IS TO BE 95mm FROM REAR OF PI CONNECTOR.
LABEL DETAILS:
FCI CHINA
FCI P/N
REVISION
SN: CNYYWWDN * * * #####
(the first ** present cable length, eg:03--0.3m, 04--0.4m...)
(the 2nd * present cable wire guage, eg:2--30awg)
(the 3th * present L--lead free or H--halongen free .)
(the ##### present serial number, eg: 0001, 0002...)
- FONT SHALL BE CLEARLY VISIBLE AND BLACK IN COLOR.
- 6. ALL CABLE ASSEMBLIES SHALL BE 100% TESTED FOR CONTINUITY AS DEFINED IN WIRING LIST.
 - 7. ALL CABLE ASSEMBLIES SHALL BE 100% HI-POT TESTED BH APPLYING 300V DC FOR A MINUMUM OF 10ms.
 - 8. IMPEDANCE: 100Ω DIFFERENTIAL.
 - 9. OTHER TESTING PERFORMED AS REQUIRED BY PRODUCT SPECIFICATION: GS-12-650.
 - 10. PACKAGE AND LABEL CABLE ASSEMBLIES PER GS-14-1272.
 - 11. A "△" SYMBOL WILL BE NEXT TO ANY DIMENSION, VIEW, OR NOTE WHICH HAS BEEN MODIFIED WITH THE CURRENT DRAWING REVISION. THE CURRENT REVISION WILL BE SHOWN IN THE SYMBOL.
 - 12. "HLF" PRODUCT NUMBERS DESIGNATE THE USE OF HALOGEN FREE RAW CABLE.
 - 13. HALOGEN FREE RAW CABLE CAN BE USED AS A SUBSTITUTE ON NON-HF PRODUCT NUMBERS.
 - 14. PART NUMBER/SUPPLIER SUBSTITUTION IS NOT ALLOWED.
 - 15. THIS PRODUCT CONFORMS TO THE MECHANICAL DIMENSIONING AND ELECTRICAL REQUIREMENTS OF THE SFF-8643 SPECIFICATION.



Copyright FCI.

spec ref	-			dr	Jason Gu	2013/10/24	projection 	mm 	size	A3	scale	2:1	
tolerance std	TOLERANCES UNLESS OTHERWISE SPECIFIED			eng	Jason Gu	2013/10/28			ecn no	ELX-N-16158-1			
ISO 406 ISO 1101				chr	-	-			product family	-	rel level	Released	
surface	✓	linear	0.X ±0.3 0.XX ±0.10 0.XXX ±0.005	appr	Roger Cheng	2013/10/30	www.fci.com	mSAS HD INTERNAL (8i) CABLE ASSEMBLY- 12 Gb/s	cat. no.	-	Product - Customer Drw	rev	B
ISO 1302	angular	0° ±2°										dwg no	10126495