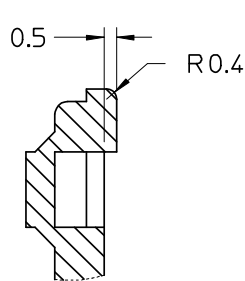
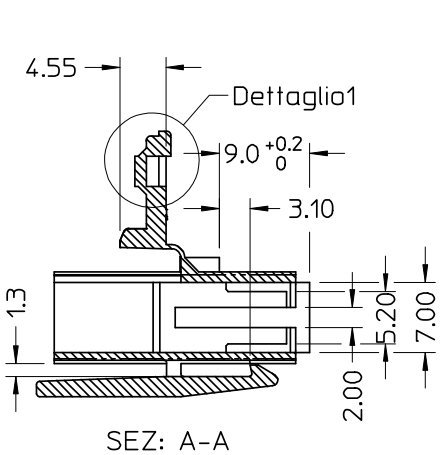
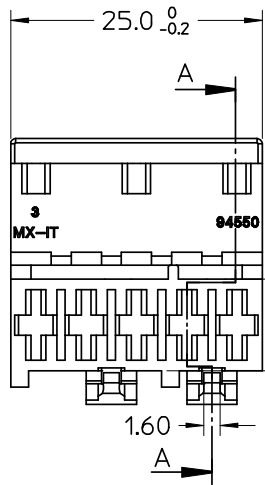
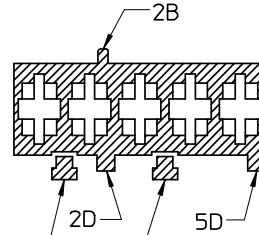


10 9 8 7 6 5 4 3 2 1



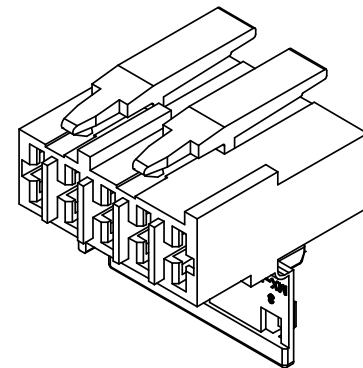
Dettaglio1
SCALA 5:1

CONFIGURAZIONE POLARIZZAZIONI
POLARIZATION CONFIGURATION



AGGANCI
LATCHES

SEZ: C-C



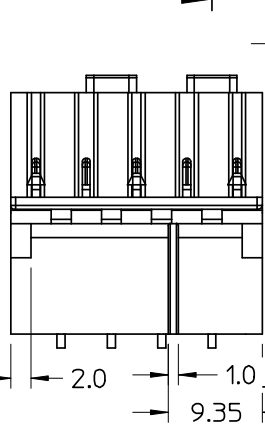
NOTE:

- USATO CON TERMINALE 94518-0XXX E 94549-0XXX
- SPECIFICA DI RIFERIMENTO PER IL CONNETTORE PS-94550-001
- PER CARATTERISTICHE DI CRIMPATURA RIF. SD-94518-005 E SD-94549-001
- FORZA DI DISACCOPIAMENTO CONNETTORE (TRAZIONANDO DAI CAVI SENZA AZIONARE L'AGGANCI): 60 N MIN.
- SPESSORE MIN. PARETI CONNETTORE 0.40 mm.

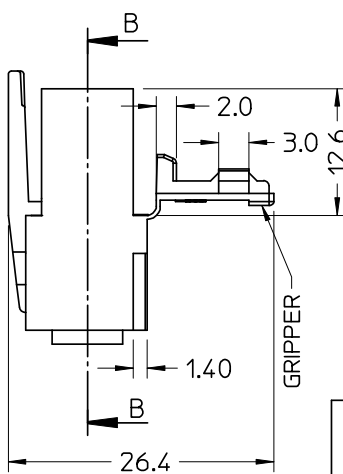
NOTE:

- USED WITH TERMINALS 94518-0XXX AND 94549-0XXX
 - REFER TO PS-94550-001 FOR CONNECTOR SPECIFICATION
 - REFER TO SD-94518-005 AND SD-94549-001 FOR CRIMPING CHARACTERISTICS
 - CONNECTOR DISENGAGEMENT FORCE (PULLING BY THE WIRES, WITHOUT ACTUATING THE LATCH): 60 N MIN.
 - MINIMUM CONNECTOR WALL THICKNESS 0.40 mm.
- CONFEZIONE: Box da 1300 Pz.

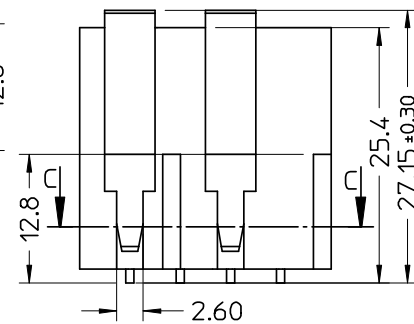
PACKAGING: 1300 pcs in carton box



SEZ: A-A

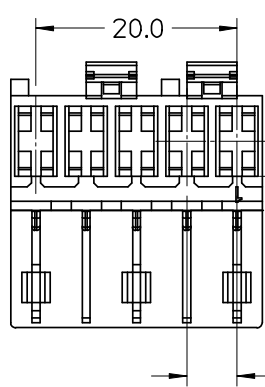


SEZ: B-B



* AGENCY
RECOGNIZATIONS
CSA (file LR19980)
UL (file E-29179)

P/N	MATERIAL/COLOR
*94550-9005	NYLON 6.6 V0 NATURAL
94550-4005	NYLON 6.6 GWT 750 °C sec.IEC 60335-1 TEST METHOD IEC 60695-2-11 NATURAL



SPQ =1300

Std. Descr: "HSG W/SEC LOCK AND EXT LATCHES 5 CKT _____ COLOR"

EC NO: Z2006-0056 DRWN: FGOTTARD 2005/10/14 CHKD: RSANDANI 2005/10/14 APPR: GZUIN 2005/10/17	QUALITY SYMBOLS ▽ = 0 ▽ = 0	GENERAL TOLERANCES (UNLESS SPECIFIED)		SCALE: 2:1	DESIGN UNITS: METRIC	FIRST ANGLE PROJECTION	REVISE ON CAD ONLY	
		4 PLACES ± --- ± --- 3 PLACES ± --- ± --- 2 PLACES ± 0.10 ± --- 1 PLACE ± 0.2 ± ---		DIMENSION STYLE: MM ONLY		TITLE: HSG 5 CKT WITH SEC. LOCK AND EXTERNAL LATCH		
		ANGULAR ± 2 °		DRAWN BY: FGOTTARD DATE: 2002/06/27		MATERIAL NO.: 94550-9005		DOCUMENT NO.: SD-94550-004
		DRAFT WHERE APPLICABLE		CHECKED BY: MTESTAGU DATE: 2002/06/27		SHEET NO.: 1 OF 1		MATERIAL NO.: 94550-9005
MUST REMAIN WITHIN DIMENSIONS		THIS DRAWING CONTAINS INFORMATION THAT IS PROPRIETARY TO MOLEX INCORPORATED AND SHOULD NOT BE USED WITHOUT WRITTEN PERMISSION						