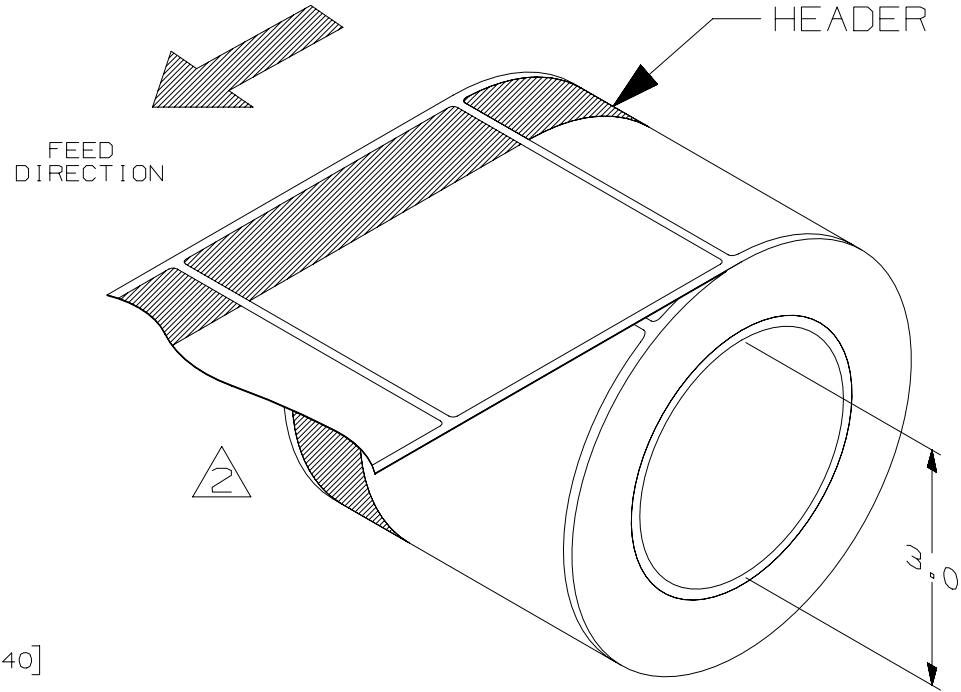
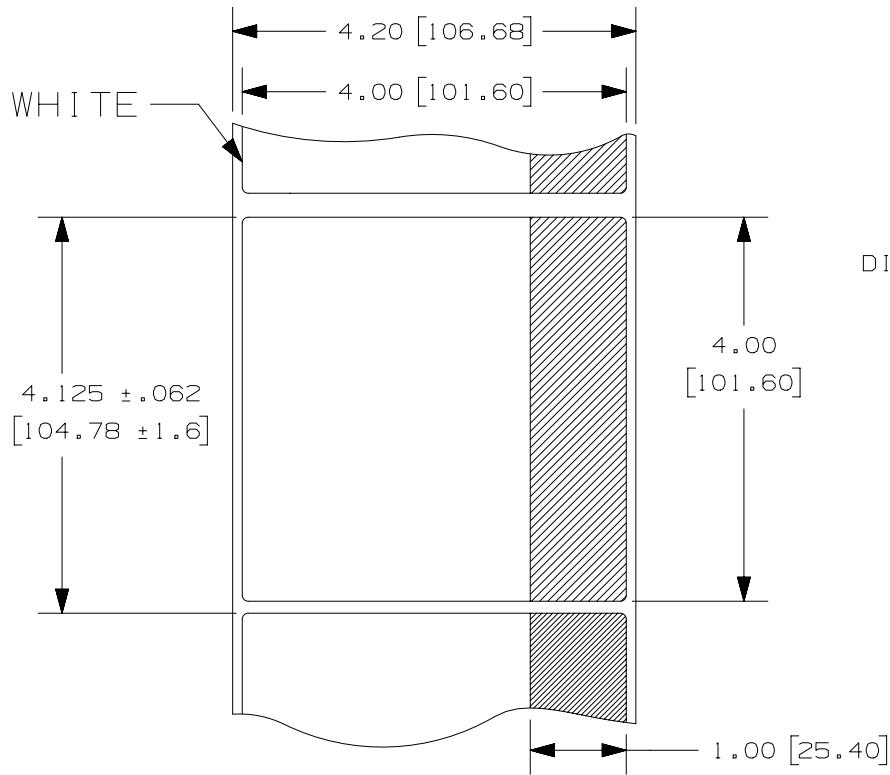


THIS COPY IS PROVIDED ON A RESTRICTED BASIS AND IS NOT TO BE USED IN ANY WAY DETRIMENTAL TO THE INTERESTS OF PANDUIT CORP.



PART NAME	HEADER COLOR	BACKGROUND COLOR	HEADER TEXT COLOR	HEADER TEXT
C400X400YZ1	RED	WHITE	WHITE	! DANGER
C400X400YZT				! WARNING
C400X400A51	ORANGE		BLACK	! WARNING
C400X400A5T				

- NOTES:
1. DIMENSIONS IN [] ARE MILLIMETERS.
 2. LABELS PER ROW: 1
LABELS PER ROLL: 250.

REV	DATE	BY	CHK	APR	DESCRIPTION	ECN
2	3/29/16	RVU	SEWH	JHAC	CHANGE THE ORIENTATION TO LABEL FACING OUT AND CHANGE CORE FROM 1.0" TO 3.0" I.D. REMOVE NOTE 3 & 4.	GAECN03426
1	7/7/15	RVU	SEWH	JHAC	ADD C400X400YZT, AND C400X400A5T. ADD NOTES 3 AND 4.	GAECN02955
0	12/14/11	RVU			DRAWING RELEASE.	6606

TITLE THERMAL TRANSFER BLANK ARC FLASH LABELS CUSTOMER DRAWING		PANDUIT
ITEM REVISION NAME 100472ST/03	MATERIAL: GMY4-HT* POLYESTER	
DATASET FILE NAME 100472ST_DC_C10976/03C		
UNLESS OTHERWISE SPECIFIED, DIMENSIONAL TOLERANCES ARE: IN [mm] .x ± .1 [2.54] .xxx ± .025 [.635] .xx ± .062 [1.57] ANGLES ±		DRAWING NUMBER: C10976
THIRD ANGLE PROJECTION	DRAWN BY RVU	DATE 12/14/11
CHK JHAC	SCALE NTS	SHT 1 OF 1
SIZE A		