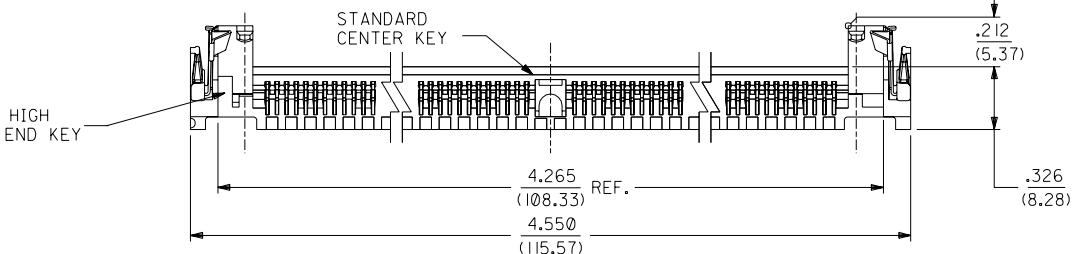
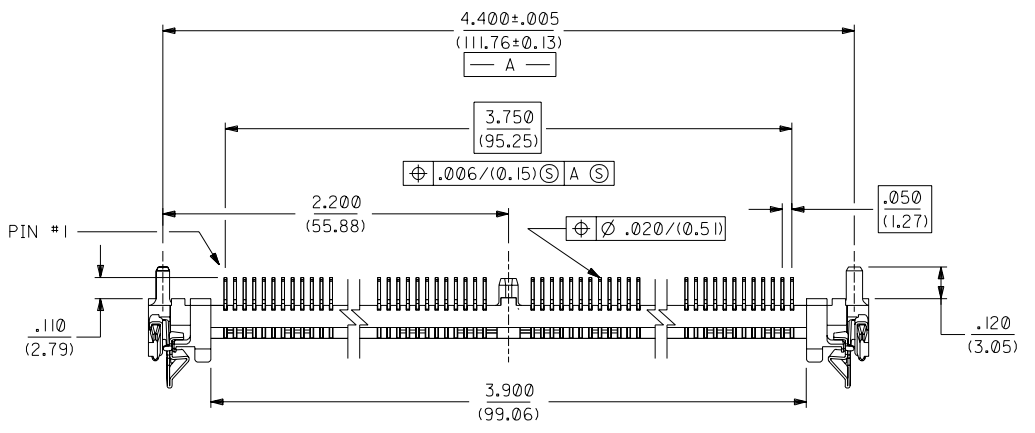


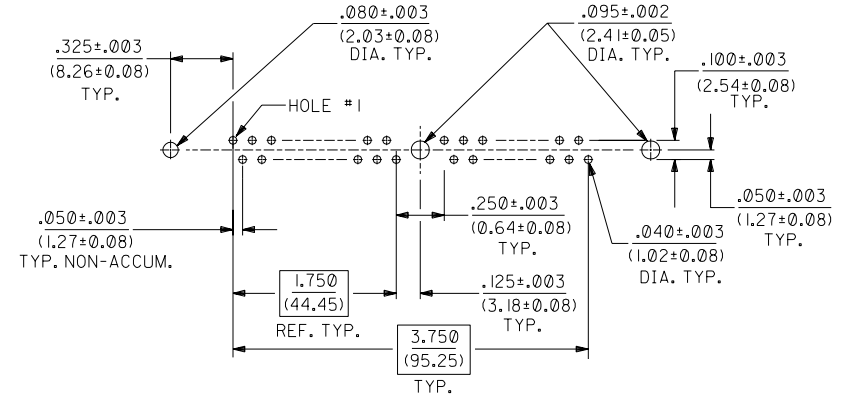
"SIMM" P.C. BOARD LAYOUT



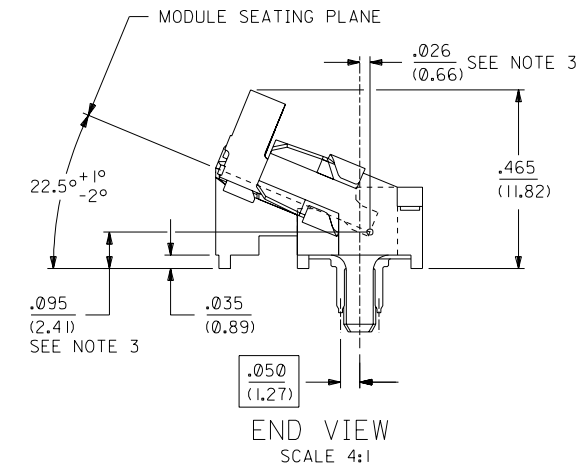
- NOTES:
- CARD SLOT ACCEPTS P.C. BOARDS $.050 +.004 / -.003$ THICK, MEASURED OVER CONTACT PADS. (1.27 + 0.10 / - 0.08)
 - PRODUCT SPEC PS-78954 APPLIES.
 - LOCATION OF LOWER CORNER OF MODULE BOARD.
 - CENTER PEG IS AN INTERFERENCE FIT TO RECOMMENDED P.C. BOARD HOLE.

- MATERIALS:
- HOUSING: LCP, GLASS FILLED, 94V-0. COLOR: BLACK.
 - LATCH: STAINLESS STEEL.
 - TERMINAL: PHOSPHOR BRONZE, POST PLATED
 - 200 μ IN. / (5.08 μ m) MIN. TIN IN CONTACT AREA AND
 - 150 μ IN. / (3.81 μ m) MIN. TIN IN TAIL AREA OVER
 - 50 μ IN. / (1.27 μ m) MIN. NICKEL OVERALL.

*THE PRIMARY SHIPPING CARTON WILL BE LABELED "COMPLIANT TO RoHS DIRECTIVE 2002/95/EC AND ELV ANNEX II OF DIRECTIVE 2000/53/EC". CARTONS WITHOUT THIS LABEL MAY CONTAIN PRODUCT WITH LEAD.



RECOMMENDED SOCKET P.C. BOARD HOLE PATTERN



END VIEW SCALE 4:1

H	LEAD FREE UCP2004-1582 RWHITE 04/02/25
G	REVISED PER ECN #U51394 GMY 7-18-95
F	REVISED PEG LENGTH PER ECN #U30751 MJS 6-8-93
E	DEL. FEATURE CONTROL BLOCK PER ECN #U21881 PDB 12-28-92
D	.010 BLOCK TOL WAS .050 PER ECN #U2290 PDB 08-27-92
C	REMOVED TRACKING TOES PER ECN #U20914 PDB 06-17-92
B	REVISED SALES MASTER PER ECN #U11871 PDB 09-10-91
A	RELEASE PER ECN #U10303 PDB 01-18-91

DIMENSIONS SHOWN (METRIC) INCH		UNLESS OTHERWISE SPECIFIED TOLERANCES: ANGULAR ± 1/2°	
3 PLACE	± .010	---	---
2 PLACE	± .014	± 0.25	---
1 PLACE	---	± 0.36	---
DRAFT WHERE APPLICABLE MUST REMAIN WITHIN DIMENSIONS			
DRWG. BY: PDB	CHK'D. BY:	SCALE: 2:1	
APPR. BY:	FILE NAME: ST064330.DGN	SHEET NO.: 1 OF 1	DATE: 01/18/91
MFG. SH. REV. LTR. REVISIONS		REVISIONS	
TITLE: SALES ASSEMBLY 22.5 METAL LATCH HIGH KEY SINGLE ROW SIMM SOCKET		PART NO.: 15-82-0678	
MOLEX INCORPORATED		SDA-78964-2731	
THIS DRAWING CONTAINS INFORMATION THAT IS PROPRIETARY TO MOLEX INC. AND SHOULD NOT BE USED WITHOUT WRITTEN PERMISSION			