

MATERIALS AND FINISHES

BODY: BRASS
PLATED GOLD

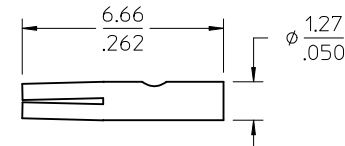
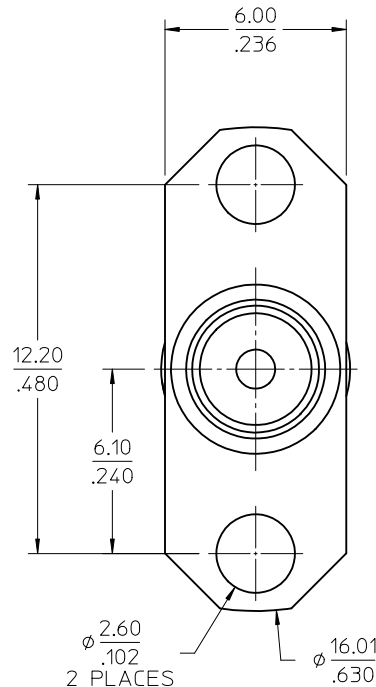
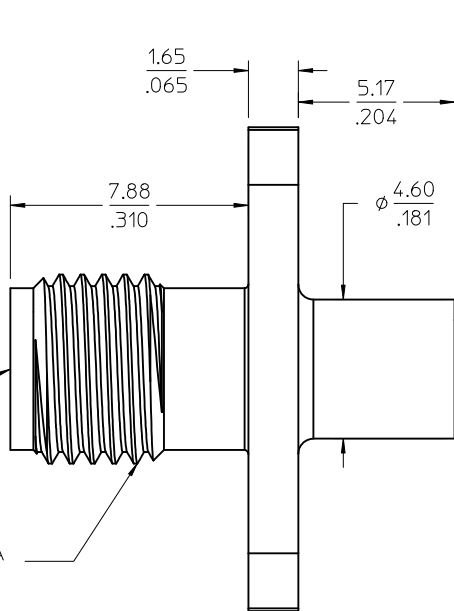
CENTER CONTACT: BERYLLIUM COPPER
PLATED GOLD

INSULATOR: TEFLON

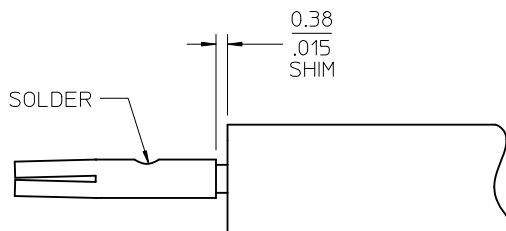
SMA JACK
INTERFACE

1/4-36 UNS-2A

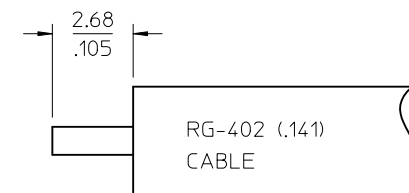
0.13 ± 0.13
.005 ± .005
CONTACT



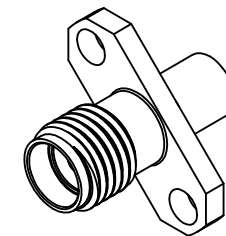
CONTACT



SOLDER



RECOMMENDED CABLE STRIP



73391-0361	ONE PER BAG
73391-0360	TRAY
PART NO.	PACKAGING

CHG: ADD -0361 EC NO: URF2011-0621 DRWN: JWIENER 2011/04/20 CHKD: SSS 2011/04/21 APPR: JWIENER 2011/04/21 REV: B1	QUALITY SYMBOLS ▽=0 ▽=0	GENERAL TOLERANCES (UNLESS SPECIFIED) <table border="1"> <tr> <th></th> <th>mm</th> <th>INCH</th> </tr> <tr> <td>4 PLACES</td> <td>± .---</td> <td>± .---</td> </tr> <tr> <td>3 PLACES</td> <td>± .---</td> <td>± .---</td> </tr> <tr> <td>2 PLACES</td> <td>± .---</td> <td>± .---</td> </tr> <tr> <td>1 PLACE</td> <td>± .---</td> <td>± .---</td> </tr> </table> ANGULAR ± 2 °		mm	INCH	4 PLACES	± .---	± .---	3 PLACES	± .---	± .---	2 PLACES	± .---	± .---	1 PLACE	± .---	± .---	DIMENSION STYLE MM/IN DRAWN BY: CLAIRE LEE DATE: 2003/12/02 CHECKED BY: _____ DATE: _____ APPROVED BY: _____ DATE: _____	SCALE 10:1 DESIGN UNITS METRIC THIRD ANGLE PROJECTION	TITLE SMA JACK FLANGE MOUNT TWO HOLE RG-402 (.141) SMA-BJ EWR-N/A
		mm	INCH																	
	4 PLACES	± .---	± .---																	
	3 PLACES	± .---	± .---																	
2 PLACES	± .---	± .---																		
1 PLACE	± .---	± .---																		
DRAFT WHERE APPLICABLE MUST REMAIN WITHIN DIMENSIONS		MATERIAL NO. SEE TABLE	DOCUMENT NO. SD-73391-036	SHEET NO. 1 OF 1																
THIS DRAWING CONTAINS INFORMATION THAT IS PROPRIETARY TO MOLEX INCORPORATED AND SHOULD NOT BE USED WITHOUT WRITTEN PERMISSION																				
MOLEX INCORPORATED																				