



TSH10

140MHz BANDWIDTH LOW NOISE SINGLE OPERATIONAL AMPLIFIER

- LOW NOISE : $6\text{nV}/\sqrt{\text{Hz}}$
- GAIN BANDWIDTH PRODUCT : 140MHz
- UNITY GAIN STABLE
- SLEW RATE : $150\text{V}/\mu\text{s}$
- STANDARD PIN OUT

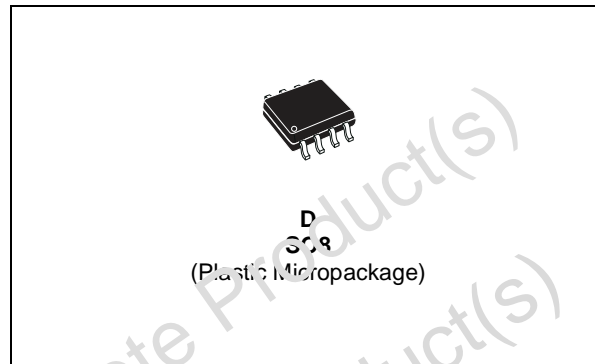
DESCRIPTION

The TSH10 is a low cost wide bandwidth single operational amplifier featuring low input noise of $6\text{nV}/\sqrt{\text{Hz}}$. Other features as unity gain stability, fast settling time and high linearity make it suitable for any application requiring speed and precision as high resolution video or DAC buffer.

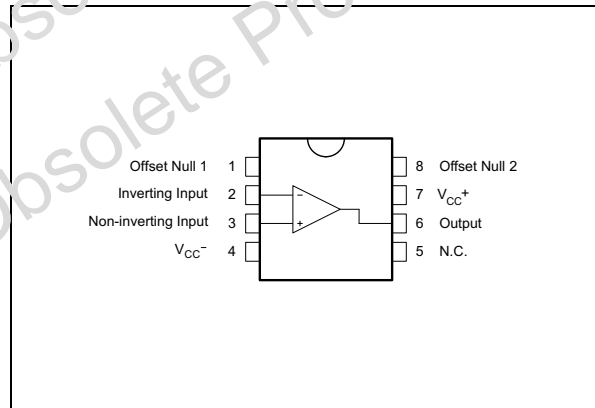
ORDER CODE

Part Number	Temperature Range	Package
		D
TSH10I	-40°C, +125°C	•

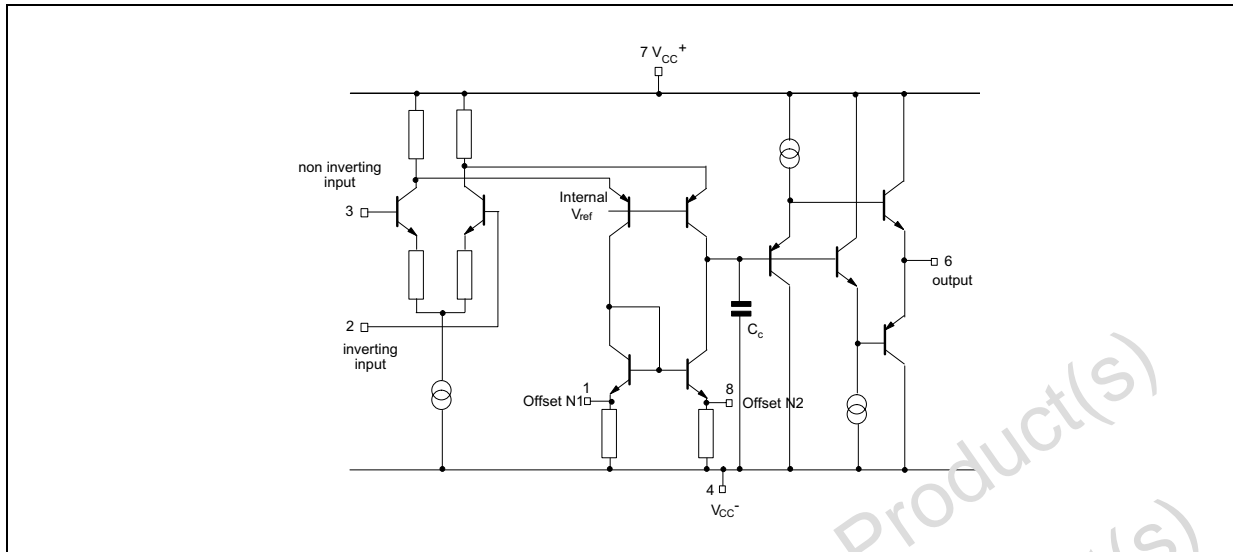
D = Small Outline Package (SO) - also available in Tape & Reel (DT)



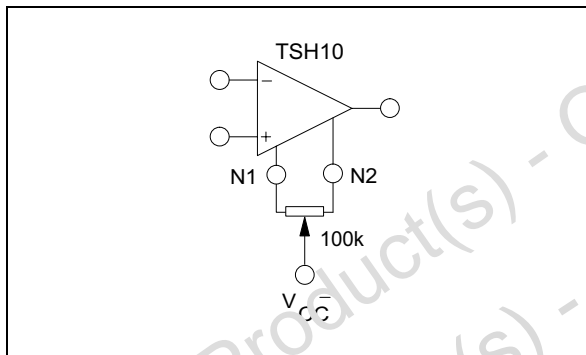
PIN CONNECTIONS (top view)



SCHEMATIC DIAGRAM



INPUT OFFSET VOLTAGE NULL CIRCUIT



MAXIMUM RATINGS

Symbol	Parameter	Value	Unit
V_{CC}	Supply Voltage	± 7	V
V_{id}	Differential Input Voltage	± 5	V
V_i	Input Voltage	± 5	V
I_{in}	Current On Inputs Current On Offset Null Pins	± 50 ± 20	V
T_{oper}	Operating Free-Air Temperature range	-40 to +125	$^{\circ}C$
T_{stg}	Storage Temperature Range	-65 to +150	$^{\circ}C$

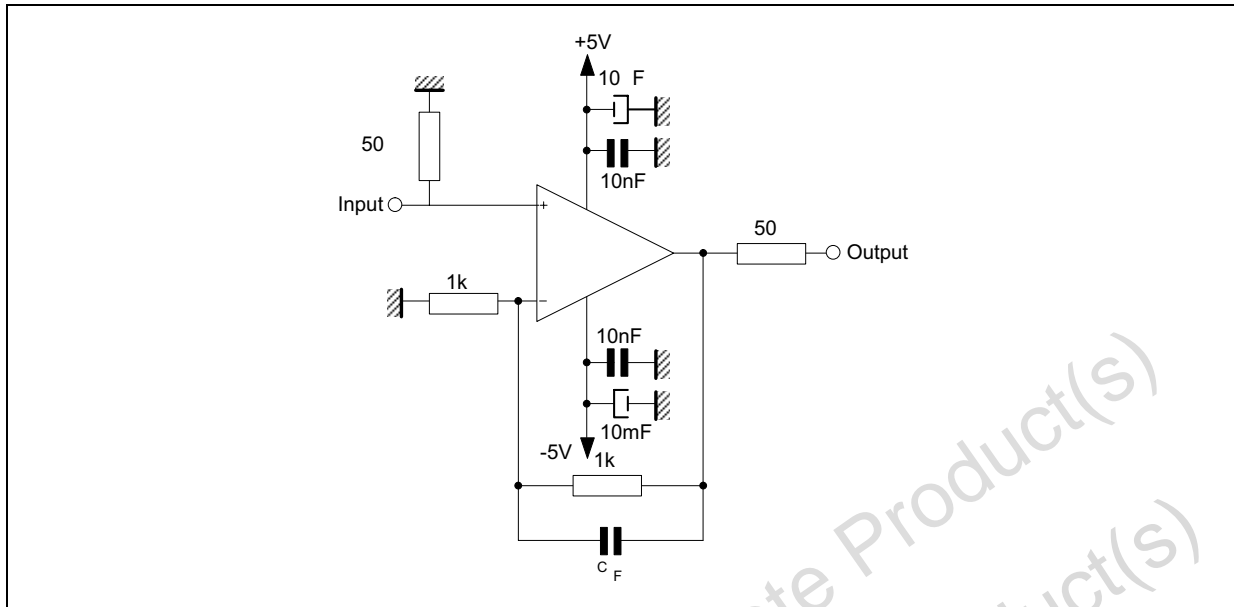
OPERATING CONDITIONS

Symbol	Parameter	Value	Unit
V_{CC}	Supply Voltage	± 3 to ± 6	V
V_{ic}	Common Mode Input Voltage Range	$V_{CC-} + 2$ to $V_{CC+} - 1$	V

ELECTRICAL CHARACTERISTICS $V_{CC} = \pm 5V$, $T_{amb} = 25^{\circ}C$ (unless otherwise specified)

Symbol	Parameter	Min.	Typ.	Max.	Unit
V_{io}	Input Offset Voltage		1	10	mV
DV_{io}	Input Offset Voltage Drift $T_{min.} \leq T_{amb} \leq T_{max.}$		20		$\mu V/^{\circ}C$
I_{ib}	Input Bias Current		5	30	μA
I_{io}	Input Offset Current		0.1	10	μA
I_{CC}	Supply Current, no load $V_{CC} = \pm 5V$		20	40	mA
A_{vd}	Large Signal Voltage Gain $V_o = \pm 2.5V$ $R_L = 100\Omega$	200	800		V/V
V_{icm}	Input Common Mode Voltage Range	-3 to +4	-3.5 to +4.5		V
CMR	Common-mode Rejection Ratio $V_{ic} = V_{icm min.}$	55	100		V
SVR	Supply Voltage Rejection Ratio $V_{CC} = \pm 5V$ to $\pm 3V$	45	70		dB
V_o	Output Voltage $R_L = 100\Omega$	± 2.5	-3.5 -3.7		V
I_o	Output Short Circuit Current $V_{id} = \pm 1V$, $V_o = 0V$		± 70		mA
GBP	Gain Bandwidth Product $A_{VCL} = 100$, $R_L = 100\Omega$, $f = 7.5MHz$		140		MHz
SR	Slew Rate $V_{in} = \pm 2V$, $A_{VCL} = 1$, $R_L = 100\Omega$		150		$V/\mu s$
e_n	Equivalent Input Voltage Noise $f = 1kHz$		6		nV/\sqrt{Hz}
ϕ_m	Phase Margin $A_{VM} = 1$, $R_L = 100\Omega$, $C_L = 15pF$		40		Degrees

EVALUATION CIRCUIT



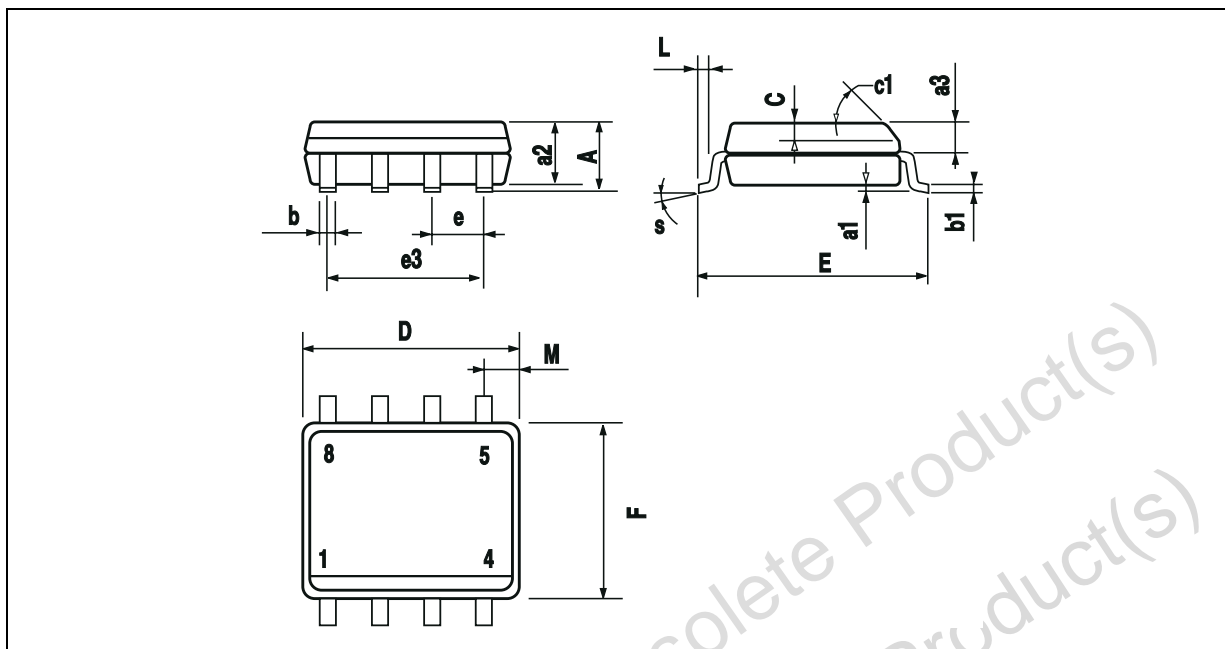
PRINTED CIRCUIT LAYOUT

As for any high frequency device, a few rules must be observed when designing the PCB to get the best performances from this high speed op amp.

From the most to the least important points :

- ❑ Each power supply lead has to be bypassed to ground with a 10nF ceramic capacitor very close to the device and a 10μF tantalum capacitor.
- ❑ To provide low inductance and low resistance common return, use a ground plane or common point return for power and signal.
- ❑ All leads must be wide and as short as possible especially for op amp inputs. This is in order to decrease parasitic capacitance and inductance.
- ❑ Use small resistor values to decrease time constant with parasitic capacitance. Be aware on TSH10 device of the lio error and input noise currents with high feedback resistor values.
- ❑ Choose component sizes as small as possible (SMD).
- ❑ On output, decrease capacitor load so as to avoid circuit stability being degraded which may cause oscillation. You can also add a serial resistor in order to minimise its influence.
- ❑ One can add in parallel with feedback resistor a few pF ceramic capacitor C_F adjusted to optimize the settling time.

PACKAGE MECHANICAL DATA
8 PINS - PLASTIC MICROPACKAGE (SO)



Dim.	Millimeters			Inches		
	Min.	Typ.	Max.	Min.	Typ.	Max.
A			1.75			0.069
a1	0.1		0.25	0.004		0.010
a2			1.65			0.065
a3	0.65		0.85	0.026		0.033
b	0.35		0.48	0.014		0.019
b1	0.19		0.25	0.007		0.010
C	0.25		0.5	0.010		0.020
c	45° (typ.)					
L	4.8		5.0	0.189		0.197
E	5.8		6.2	0.228		0.244
e		1.27			0.050	
e3		3.81			0.150	
F	3.8		4.0	0.150		0.157
L	0.4		1.27	0.016		0.050
M			0.6			0.024
S	8° (max.)					

Information furnished is believed to be accurate and reliable. However, STMicroelectronics assumes no responsibility for the consequences of use of such information nor for any infringement of patents or other rights of third parties which may result from its use. No license is granted by implication or otherwise under any patent or patent rights of STMicroelectronics. Specifications mentioned in this publication are subject to change without notice. This publication supersedes and replaces all information previously supplied. STMicroelectronics products are not authorized for use as critical components in life support devices or systems without express written approval of STMicroelectronics.

© The ST logo is a registered trademark of STMicroelectronics

© 2000 STMicroelectronics - Printed in Italy - All Rights Reserved
STMicroelectronics GROUP OF COMPANIES

Australia - Brazil - China - Finland - France - Germany - Hong Kong - India - Italy - Japan - Malaysia - Malta - Morocco
Singapore - Spain - Sweden - Switzerland - United Kingdom

© <http://www.st.com>

