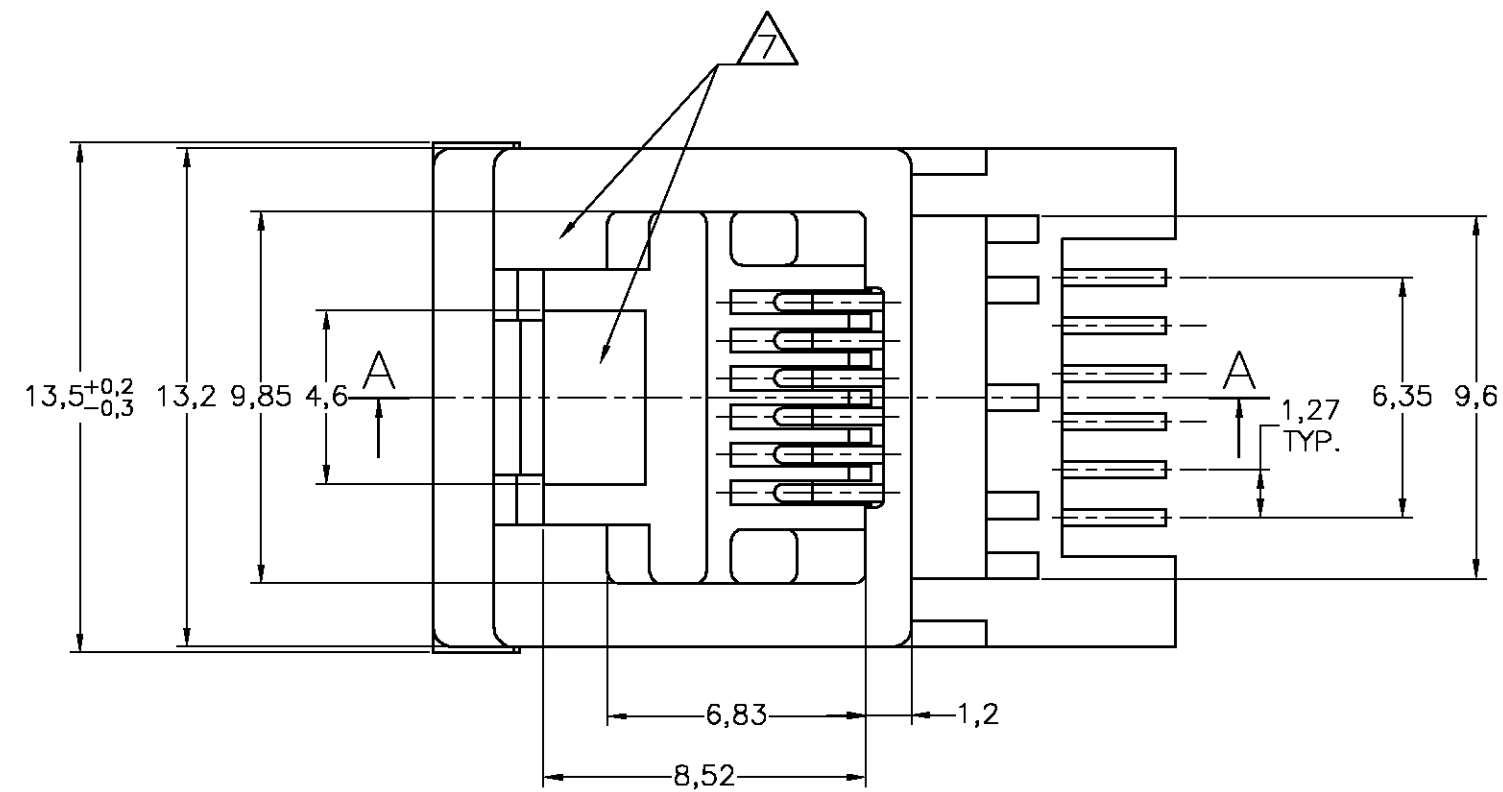


DO NOT SCALE
DIMENSIONS IN mm

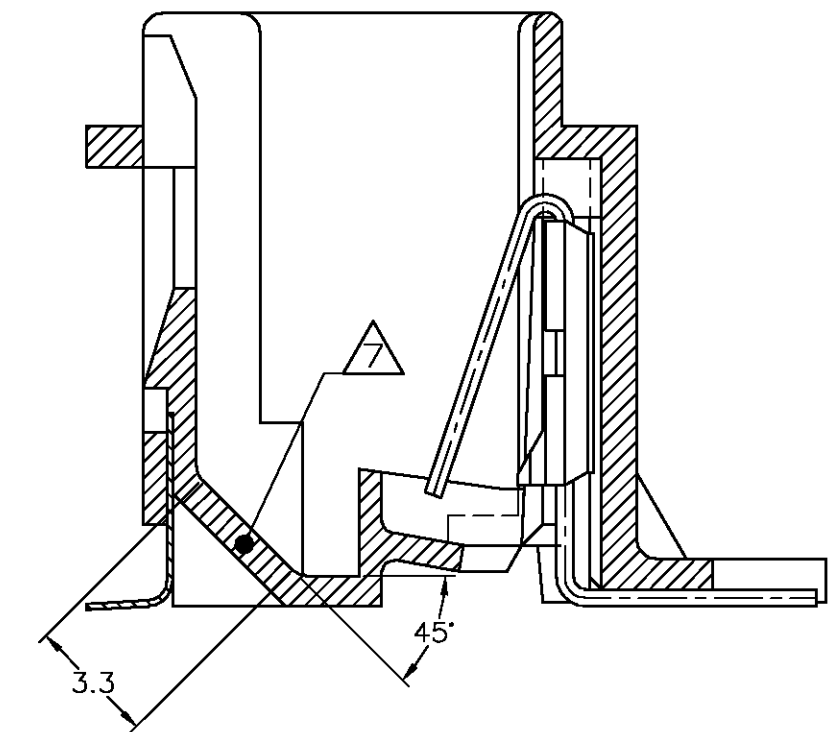
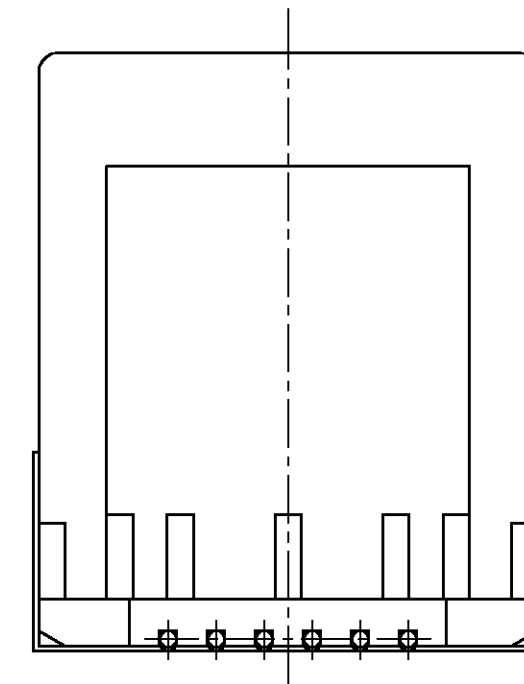
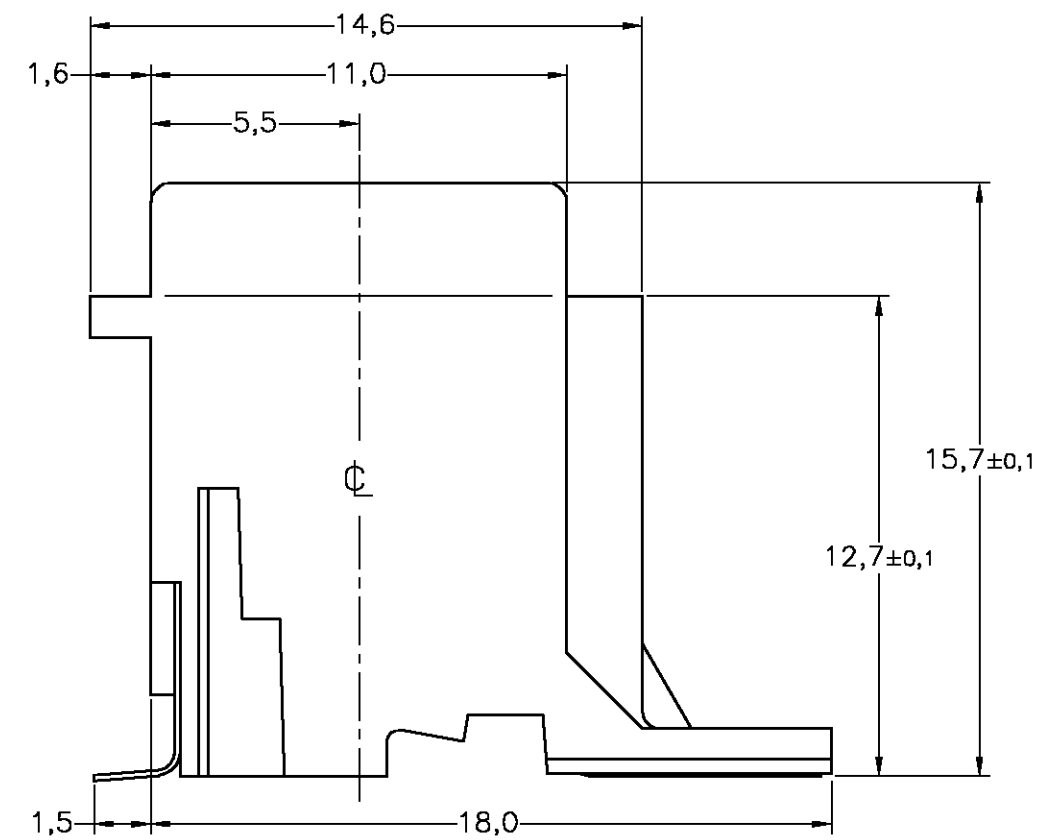
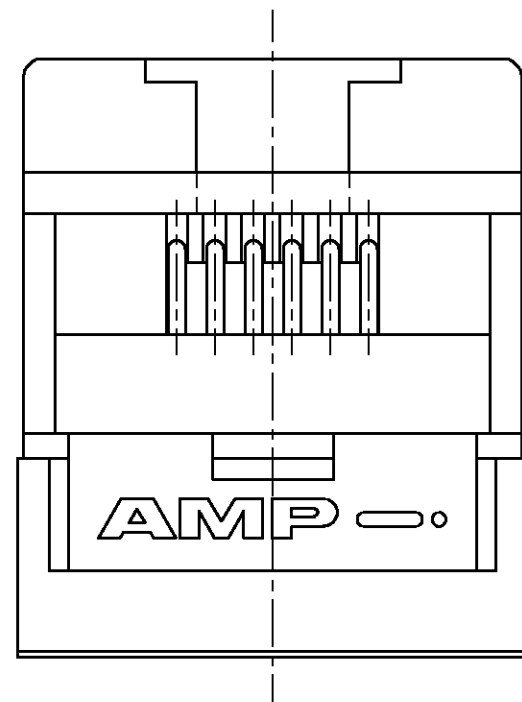
METRIC

THIRD ANGLE
PROJECTION

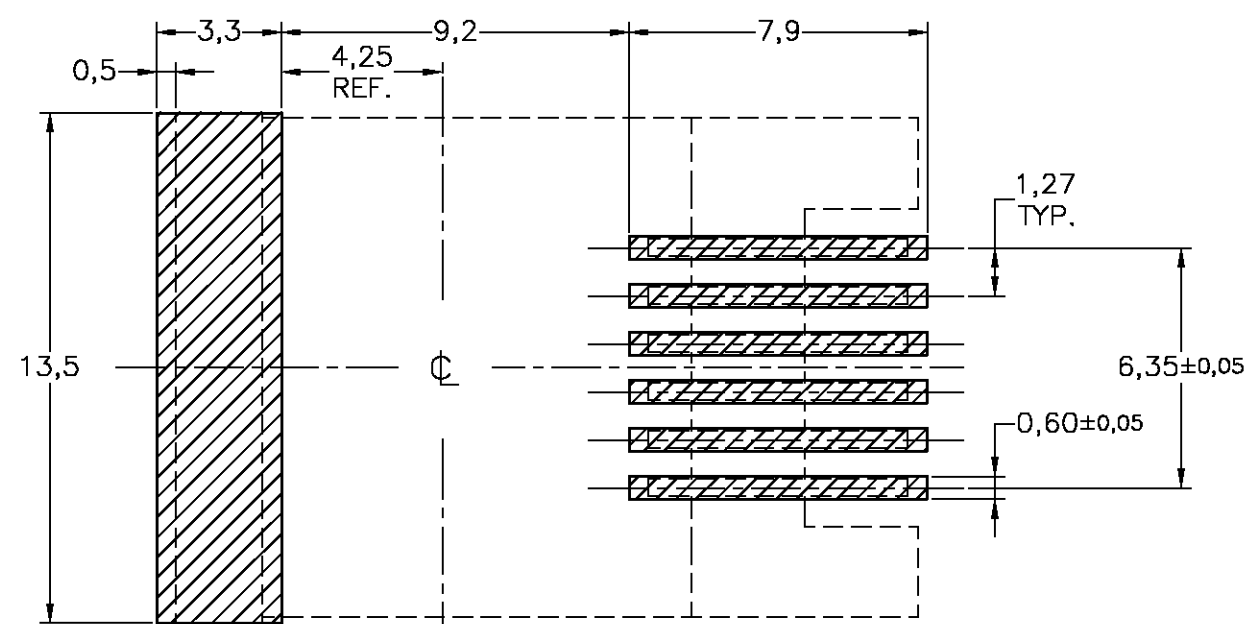


NOTES:

- 1 TOLERANCES UNLESS OTHERWISE SPECIFIED: $\pm 0,15$
- 2 CONTACTS:
1,25 μm MIN. GOLD OVER 1,25 μm MIN. NICKEL IN CONTACT AREA.
2,0 μm MIN. TIN-LEAD OVER 1,25 μm MIN. NICKEL ON SOLDER TINES.
- 3 HOUSING:
30% G.F. PA 4.6, COLOR BLACK, UL-94-V0
CONTACTS:
PHOSPHOR BRONZE
ADDITIONAL SOLDERBRACKET:
TINPLATED BRASS
- 4 MODULAR JACKS DELIVERED TAPE MOUNTED ON REEL. SEE SHEET 2.
- 5 PRODUCT SPECIFICATION: 108-19117.
APPLICATION SPECIFICATION: 114-19041.
- 6 SOLDER PASTE THICKNESS 0,15mm (=0,006") MIN.
- 7 SURFACE CAN BE USED FOR PICKING THE MODULAR JACK WITH A TYPE II SMD MACHINE.



SECTION A-A



PRINTED CIRCUIT BOARD LAYOUT

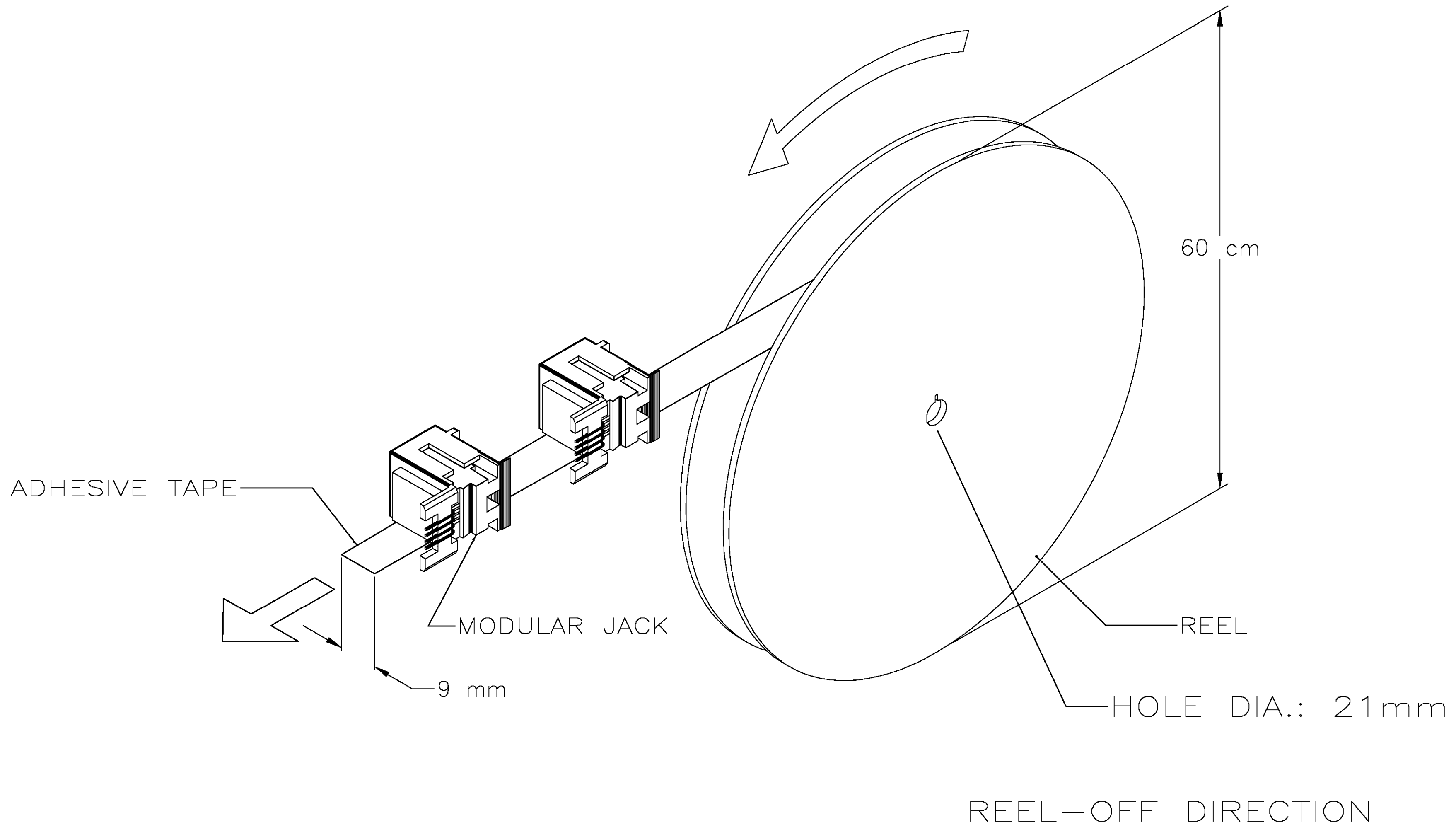
| 6 POS. / 6 CONTACTS | TUBE | 40 PCS PER TUBE | 3-100861-1 |
|---|-----------------|--|-------------------|
| 6 POS. / 6 CONTACTS | REEL | 600 PCS. ON A 60cm DIA REEL SEE SHEET 2 | 100861-1 Δ |
| DESCRIPTION | PACKAGING | QTY | PART NUMBER |
| CUSTOMER DRAWING FOR REFERENCE ONLY WILL NOT BE UPDATED | | | |
| <small>© COPYRIGHT 19 BY AMP HOLLAND B.V. ALL INTERNATIONAL RIGHTS RESERVED. AMP PRODUCTS MAY BE COVERED BY U.S. AND FOREIGN AND/OR PATENTS PENDING. THIS DRAWING IS UNPUBLISHED AND/OR PATENTS PENDING. RELEASED FOR PUBLICATION</small> | | | |
| tyco Electronics | | Tyco Electronics Corporation Oostkamp - BELGIUM | |
| R | SR10-0418-01 | KV KV | 28 SEP 01 |
| P | SR10-0106-01 | KV KV | 09 MAR 01 |
| LTR. | REVISION RECORD | DR. CHK. DATE | |
| DR.: VEROUGSTRAEDE | | APP.: | DWG.No. |
| DATE: 19 JAN 01 | | DATE: | C-100861 |
| | | REV.LTR. | SHEET |
| | | R | 1 OF 2 |
| | | A2 | |

11 | 10 | 9 | 8 | 7 | 6 | 5 | 4 | 3 | 2 | 1

DO NOT SCALE
DIMENSIONS IN mm

METRIC

THIRD ANGLE
PROJECTION



REEL-OFF DIRECTION

| | | | | | | | |
|--------------------|-----------------|-------|----------|---|----------|--|----|
| | | | | CUSTOMER DRAWING | | FOR REFERENCE ONLY WILL NOT BE UPDATED | |
| | | | | © COPYRIGHT 19 BY AMP HOLLAND B.V. ALL INTERNATIONAL RIGHTS RESERVED. AMP PRODUCTS MAY BE COVERED BY U.S. AND FOREIGN AND/OR PATENTS PENDING. | | | |
| | | | | THIS DRAWING IS UNPUBLISHED RELEASED FOR PUBLICATION _____, 19____ | | | |
| | | | | Tyco Electronics | | Tyco Electronics Corporation Oostkamp - BELGIUM | |
| | | | | NAME MODULAR JACK, 6 POSITION TOP ENTRY | | | |
| | | | | FOR SURFACE MOUNT APPLICATION | | | |
| LTR. | REVISION RECORD | DR. | CHK. | DATE | | | |
| DR.: VEROUGSTRAETE | CHK.: | APP.: | DWG.No. | | REV.LTR. | SHEET | |
| DATE: 19 JAN 01 | DATE: | DATE: | C-100861 | | R | 2 OF 2 | A2 |

SEE SHEET 1