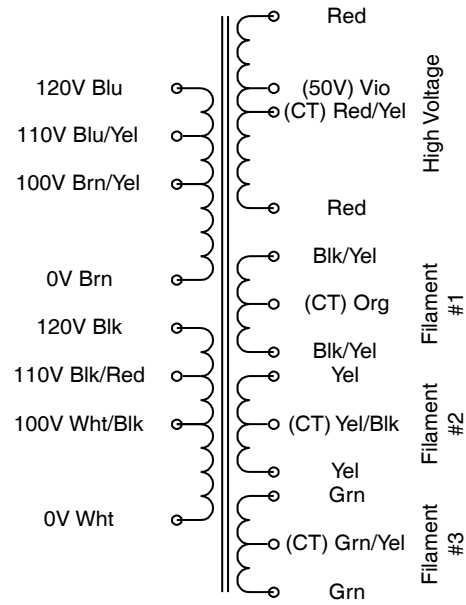


# "Classic" Plate & Filament - Universal Primary (300 Series)

Power



## Transformer Schematic



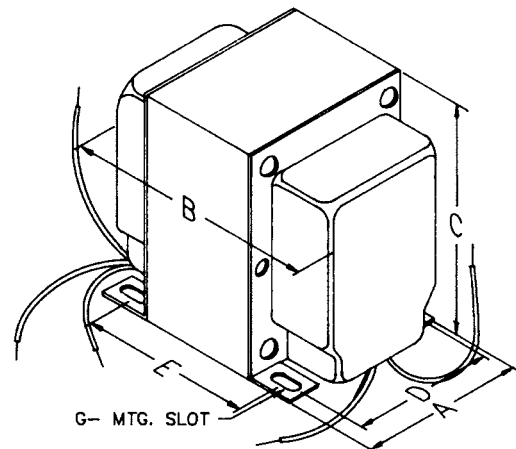
## "CLASSIC" PLATE & FILAMENT UNIVERSAL PRIMARY POWER TRANSFORMERS

- Primary: Universal - 100, 110, 120, 200, 220, 240 VAC 50/60 Hz.
- Bias Tap: 50 VAC tap from high voltage secondary C.T.
- Highpot tested: 2,000 VAC
- Finish: Black powder painted to match our 1650 series of output transformers
- Windings: Concentric wound for low stray field and low noise
- Models: Includes our entire "200" SERIES range of units PLUS 2 models designed specifically for 300B tubes (Part Number 300BX) and 2A3 tubes (Part Number 302AX).
- For a more economical, open frame, universal primary - see our "260" series.

## "X" Mounting Dimension Table

Mtg. Style	Dimensions (Inches)					G - Mtg. Slot
	A	B	C	D	E	
X2	1.88	2.44	2.50	1.50	1.56	.19 X .31
X4	2.19	2.50	2.63	1.75	1.44	.19 X .25
X5	2.19	2.63	2.63	1.75	1.56	.19 X .25
X6	2.50	2.75	3.06	2.00	1.69	.203 X .38
X7	2.50	3.00	3.06	2.00	1.94	.203 X .38
X8	2.50	3.25	3.06	2.00	2.19	.203 X .38
X9	2.50	3.75	3.06	2.00	2.69	.203 X .38
X10	3.13	3.50	3.81	2.50	2.19	.203 X .38
X11	3.13	3.75	3.81	2.50	2.44	.203 X .38
X13	3.75	4.00	4.56	3.00	2.81	.203 X .38
X14	3.75	4.50	4.56	3.00	3.31	.203 X .38
X15	3.75	5.00	4.56	3.00	3.81	.203 X .38
X19	3.13	4.00	3.81	2.50	2.69	.203 X .38
X20	3.13	4.25	3.81	2.50	2.94	.203 X .38
X21	4.38	6.00	5.50	3.50	4.00	.203 X .38
X22	3.75	4.19	4.56	3.00	3.06	.203 X .38

## "X" Mounting Drawing



**CANADA**  
Guelph, Ontario (519) 822-2960  
St. Laurent, Quebec (514) 343-9010  
**USA**  
Cheektowaga, NY (716) 630-7030

[www.hammondmfg.com](http://www.hammondmfg.com)



**EUROPE**  
Basingstoke, UK 01256 812812

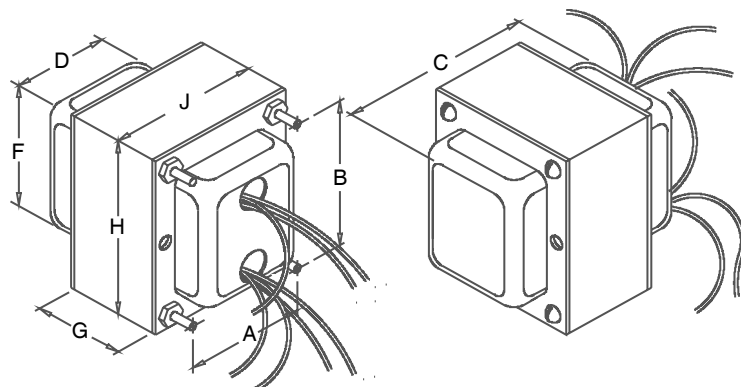
**AUSTRALIA**  
Queenstown, Australia 61-8-8240-2244

# "Classic" Plate & Filament - Universal Primary (300 Series)

**Power**

Part Number	Total Power (VA)	A.C. High Voltage Secondary R.M.S.	Bias Tap (VAC)	Filament #1 (VAC)	Filament #2 (VAC)	Filament #3 (VAC)	Filament #4 (VAC)	Dimension Reference
<b>363AX</b>	32	200V C.T. @ 115ma.	50	5V C.T. @ 2A	-	-	-	X6
<b>369AX</b>	40	250V C.T. @ 115ma.	50	6.3V C.T. @ 2A	-	-	-	X6
<b>369BX</b>	39	300V C.T. @ 86ma.	50	6.3V C.T. @ 2A	-	-	-	X6
<b>363CX</b>	119	360V C.T. @ 288ma.	50	5V C.T. @ 3A	-	-	-	X11
<b>369EX</b>	45	380V C.T. @ 75ma.	50	6.3V C.T. @ 2.5A	-	-	-	X6
<b>370X</b>	41	480V C.T. @ 46ma.	50	5V C.T. @ 2A	6.3V C.T. @ 1.5A	-	-	X6
<b>370AX</b>	44	480V C.T. @ 58ma.	50	6.3V C.T. @ 2.5A	-	-	-	X6
<b>369GX</b>	50	450V C.T. @ 75ma.	50	6.3V C.T. @ 2.5A	-	-	-	X6
<b>369JX</b>	50	500V C.T. @ 69ma.	50	6.3V C.T. @ 2.5A	-	-	-	X6
<b>370CAX</b>	66	500V C.T. @ 81ma.	50	5V C.T. @ 2A	6.3V C.T. @ 2.5A	-	-	X8
<b>370DAX</b>	76	520V C.T. @ 104ma.	50	6.3V C.T. @ 3.5A	-	-	-	X8
<b>370DAZ</b>	76	520V C.T. @ 104ma.	50	6.3V C.T. @ 3.5A	-	-	-	Z10
<b>370BX</b>	55	550V C.T. @ 58ma.	50	5V C.T. @ 2A	6.3V C.T. @ 2A	-	-	X7
<b>370CX</b>	59	550V C.T. @ 75ma.	50	6.3V C.T. @ 0.6A	6.3V C.T. @ 2.5A	-	-	X7
<b>370DX</b>	86	550V C.T. @ 104ma.	50	5V C.T. @ 2A	6.3V C.T. @ 3A	-	-	X8
<b>370EX</b>	119	550V C.T. @ 144ma.	50	5V C.T. @ 3A	6.3V C.T. @ 4A	-	-	X11
<b>370FX</b>	141	550V C.T. @ 173ma.	50	5V C.T. @ 3A	6.3V C.T. @ 5A	-	-	X20
<b>370HX</b>	180	550V C.T. @ 230ma.	50	5V C.T. @ 3A	6.3V C.T. @ 6A	-	-	X20
<b>371X</b>	63	560V C.T. @ 69ma.	50	5V C.T. @ 2A	6.3V C.T. @ 2A	-	-	X7
<b>372BX</b>	98	600V C.T. @ 115ma.	50	5V C.T. @ 2A	6.3V C.T. @ 3A	-	-	X10
<b>372DX</b>	127	600V C.T. @ 144ma.	50	5V C.T. @ 3A	6.3V C.T. @ 4A	-	-	X11
<b>372FX</b>	150	600V C.T. @ 173ma.	50	5V C.T. @ 3A	6.3V C.T. @ 5A	-	-	X20
<b>302AX</b>	198	600V C.T. @ 230ma.	50	2.5V C.T. @ 2.5A	5V C.T. @ 3A	6.3V C.T. @ 6A	2.5V C.T. @ 2.5A	X13
<b>372HX</b>	191	600V C.T. @ 230ma.	50	5V C.T. @ 3A	6.3V C.T. @ 6A	-	-	X13
<b>372JX</b>	243	600V C.T. @ 288ma.	50	5V C.T. @ 4A	6.3V C.T. @ 8A	-	-	X14
<b>372X</b>	75	620V C.T. @ 81ma.	50	5V C.T. @ 2A	6.3V C.T. @ 2.4A	-	-	X8
<b>376X</b>	157	640V C.T. @ 173ma.	50	5V C.T. @ 3A	6.3V C.T. @ 5A	-	-	X20
<b>373AZ</b>	49	650V C.T. @ 46ma.	50	5V C.T. @ 2A	6.3V C.T. @ 2A	-	-	Z11
<b>373CZ</b>	159	650V C.T. @ 173ma.	50	5V C.T. @ 3A	6.3V C.T. @ 5A	-	-	Z12
<b>373DX</b>	101	700V C.T. @ 104ma.	50	5V C.T. @ 2A	6.3V C.T. @ 3A	-	-	X10
<b>373DZ</b>	101	700V C.T. @ 104ma.	50	5V C.T. @ 2A	6.3V C.T. @ 3A	-	-	Z13
<b>373X</b>	125	700V C.T. @ 127ma.	50	5V C.T. @ 2A	6.3V C.T. @ 4A	-	-	X11
<b>373BX</b>	187	700V C.T. @ 201ma.	50	5V C.T. @ 3A	6.3V C.T. @ 5A	-	-	X13
<b>374AX</b>	136	720V C.T. @ 138ma.	50	5V C.T. @ 3A	6.3V C.T. @ 3.5A	-	-	X11
<b>374X</b>	141	750V C.T. @ 127ma.	50	5V C.T. @ 3A	6.3V C.T. @ 5A	-	-	X20
<b>374BX</b>	200	750V C.T. @ 201ma.	50	5V C.T. @ 3A	6.3V C.T. @ 6A	-	-	X13
<b>375X</b>	171	800V C.T. @ 155ma.	50	5V C.T. @ 3A	6.3V C.T. @ 5A	-	-	X20
<b>378X</b>	237	800V C.T. @ 230ma.	50	5V C.T. @ 3A	6.3V C.T. @ 6A	-	-	X22
<b>300BX</b>	280	800V C.T. @ 288ma.	50	5V C.T. @ 1.2A	5V C.T. @ 3A	6.3V C.T. @ 6A	-	X15
<b>378CX</b>	465	800V C.T. @ 534ma.	50	6.3V C.T. @ 6A	-	-	-	X21
<b>379X</b>	193	850V C.T. @ 173ma.	50	5V C.T. @ 3A	6.3V C.T. @ 5A	-	-	X22
<b>382X</b>	283	1,000V C.T. @ 230ma.	50	5V C.T. @ 3A	6.3V C.T. @ 6A	-	-	X15

## "Z" Mounting - Drawing



## "Z" Mounting - Dimension Table

Mtg. Style	Dimensions (Inches)							
	A	B	C	D	F	G	H	J
<b>Z10</b>	2.25	2.81	3.50	2.50	2.44	1.30	3.38	2.81
<b>Z11</b>	2.50	2.81	3.45	1.87	2.44	1.25	3.38	2.81
<b>Z12</b>	2.50	3.15	4.08	2.06	2.69	1.84	3.75	3.13
<b>Z13</b>	2.50	3.15	3.60	2.06	2.69	1.39	3.75	3.13

For wiring diagrams - visit our website:

[www.hammondmfg.com](http://www.hammondmfg.com)

### EUROPE

Basingstoke, UK 01256 812812

### AUSTRALIA

Queenstown, Australia 61-8-8240-2244

[www.hammondmfg.com](http://www.hammondmfg.com)



### CANADA

Guelph, Ontario (519) 822-2960  
St. Laurent, Quebec (514) 343-9010

### USA

Cheektowaga, NY (716) 630-7030

