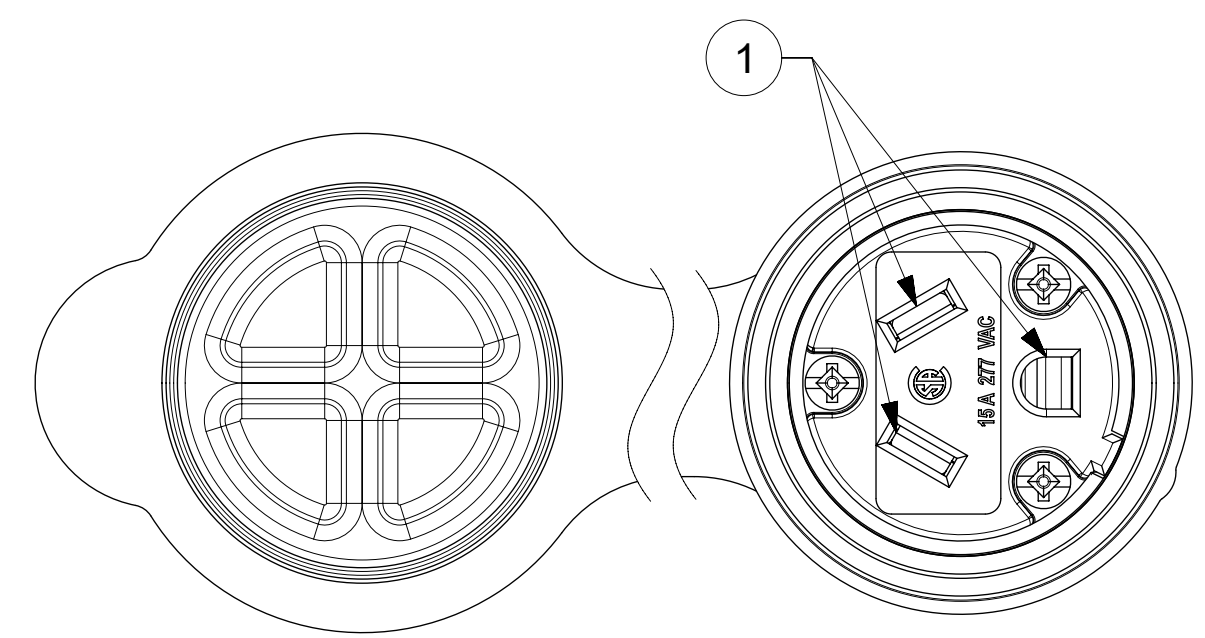
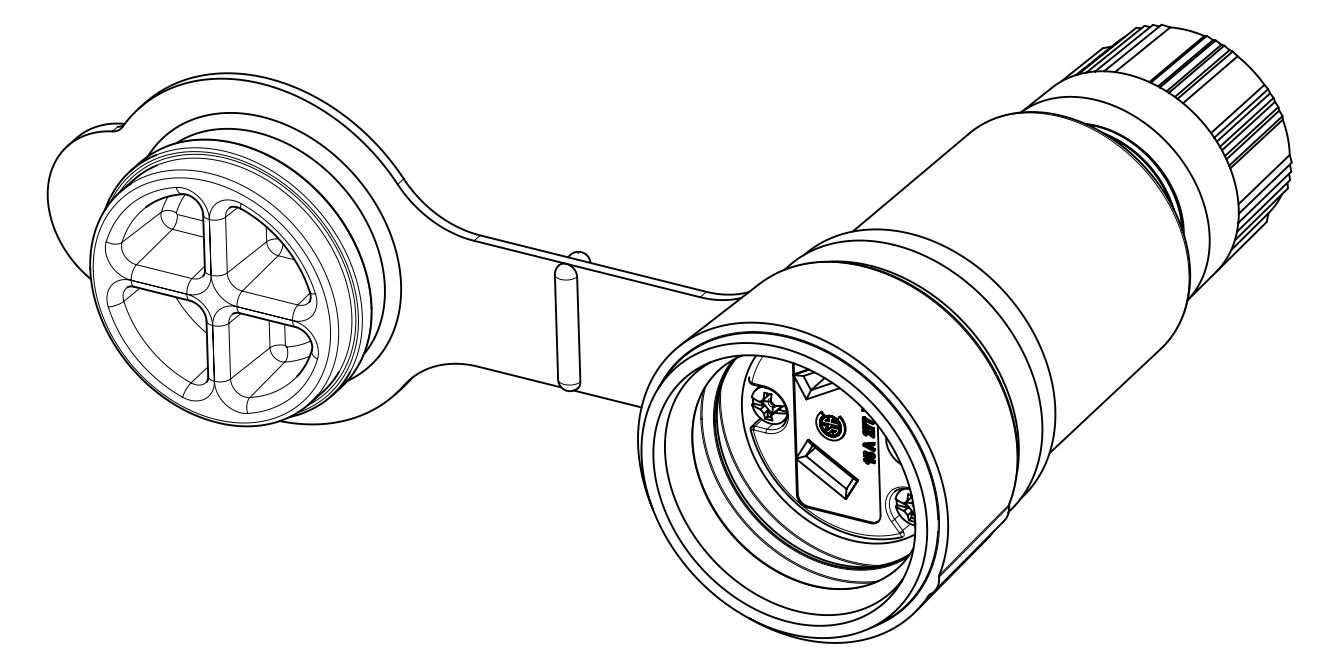
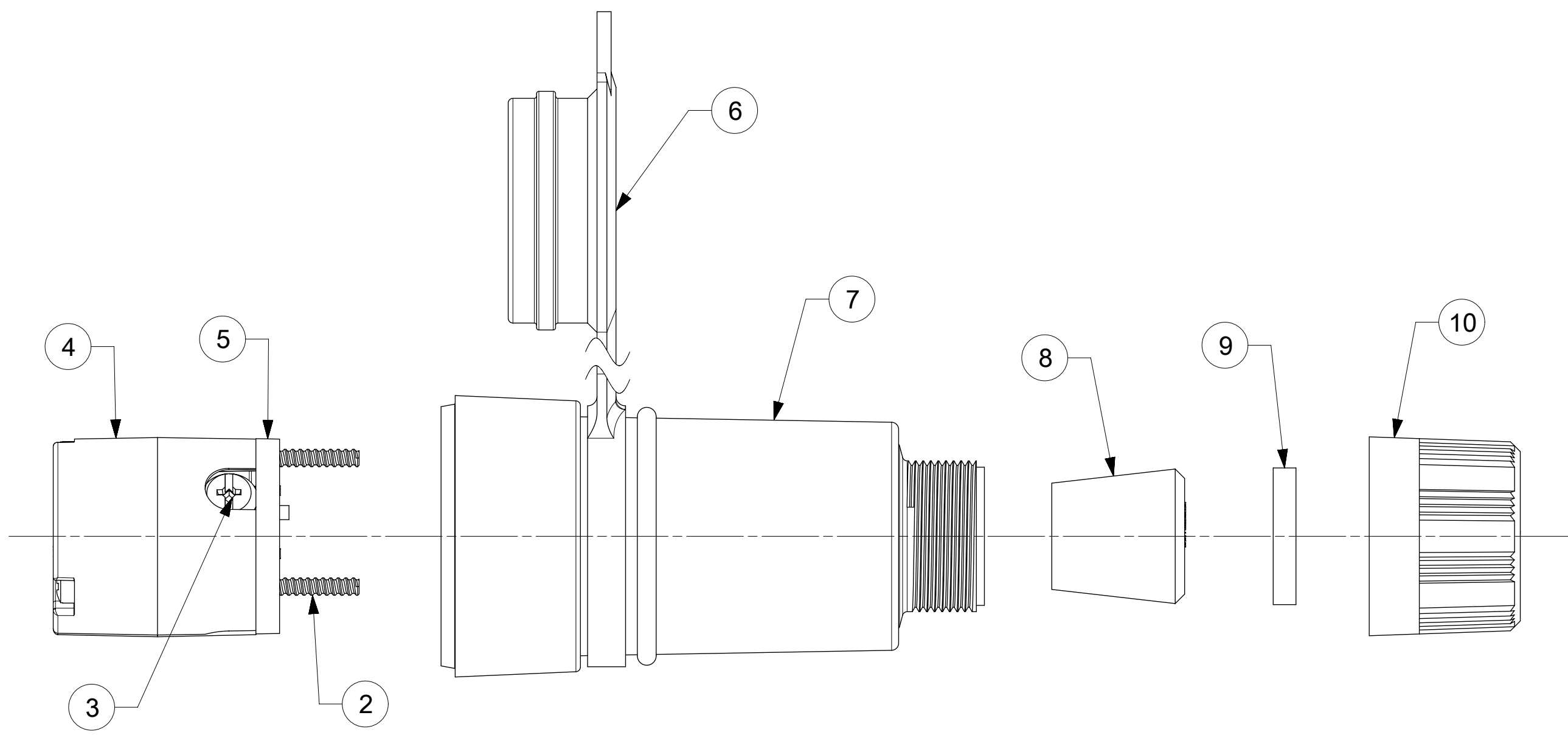
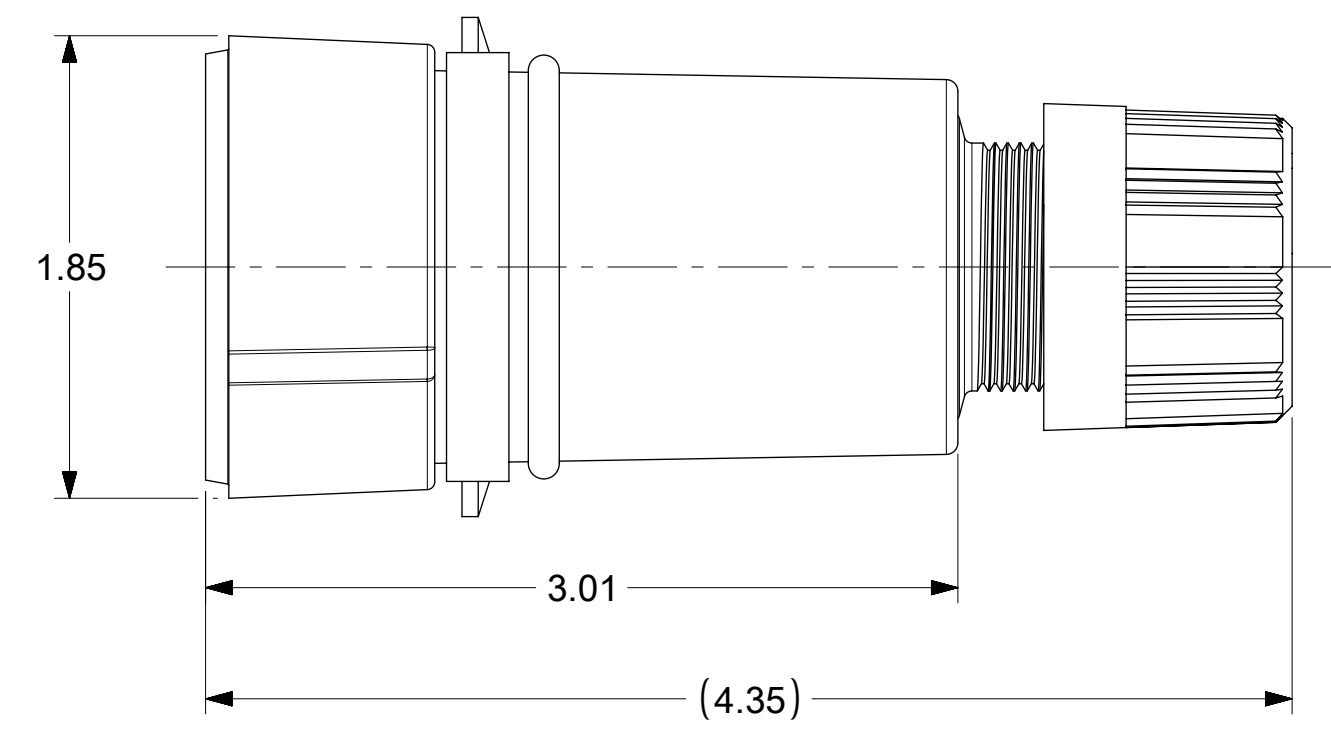


ORDER NO.	WOODHEAD NO.	COLOR
130146-0196	15W34-P	YELLOW



FACE VIEW



ITEM NO.	DESCRIPTIONS	MATERIAL	QTY.
1	BLADES	BRASS	3
2	RETAINING SCREWS	STAINLESS STEEL	3
3	TERMINAL SCREWS	BRASS, ZINC PLATED	3
4	INSERT	NYLON	1
5	TERMINAL COVER	POLYCARBONATE	1
6	FLIP COVER	SILICON	1
7	HOUSING	RUBBER WITH NYLON THREAD	1
8	GROMMETS	RUBBER	5
9	FRICTION RING	NYLON	1
10	COMPRESSION NUT	NYLON	1

NOTES:
 1. SEE INSTRUCTION SHEET NUMBER 1301414770 FOR PRODUCT SPECIFICATION.
 2. CABLE RANGE FROM 0.375" TO 0.625"

SYMBOLS		THIS DRAWING CONTAINS INFORMATION THAT IS PROPRIETARY TO MOLEX ELECTRONIC TECHNOLOGIES, LLC AND SHOULD NOT BE USED WITHOUT WRITTEN PERMISSION		CURRENT REV DESC: RELEASED		molex	
▽ = 0	INCH	SCALE	NTS	EC NO: 613681			
▽ = 0	GENERAL TOLERANCES (UNLESS SPECIFIED)			DRWN: ABABU01 2018/11/13		PRODUCT CUSTOMER DRAWING	
▽ = 0	ANGULAR TOL ± 0.5°			CHK'D: DNGUYEN62 2019/03/13			
▽ = 0	4 PLACES ±			APPR: HKNEELAND 2019/03/21		1301460196	
▽ = 0	3 PLACES ± 0.005			INITIAL REVISION:			
▽ = 0	2 PLACES ± 0.01			DRWN: ABABU01 2018/11/13		PSD 000 A	
▽ = 0	1 PLACE ± 0.02			APPR: HKNEELAND 2019/03/21			
▽ = 0	0 PLACES ±			DRAFT WHERE APPLICABLE MUST REMAIN WITHIN DIMENSIONS		SEE TABLE GENERAL MARKET 1 OF 1	
▽ = 0	THIRD ANGLE PROJECTION		DRAWING	SERIES	C-SIZE 130146		