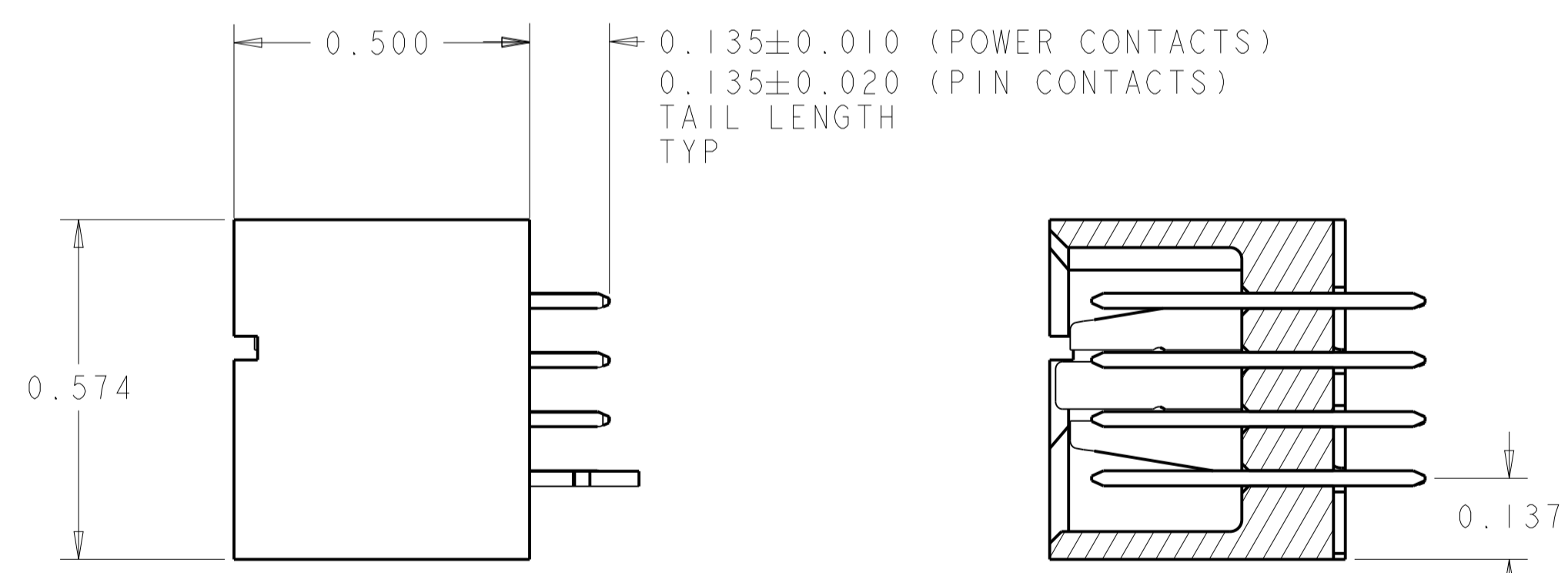
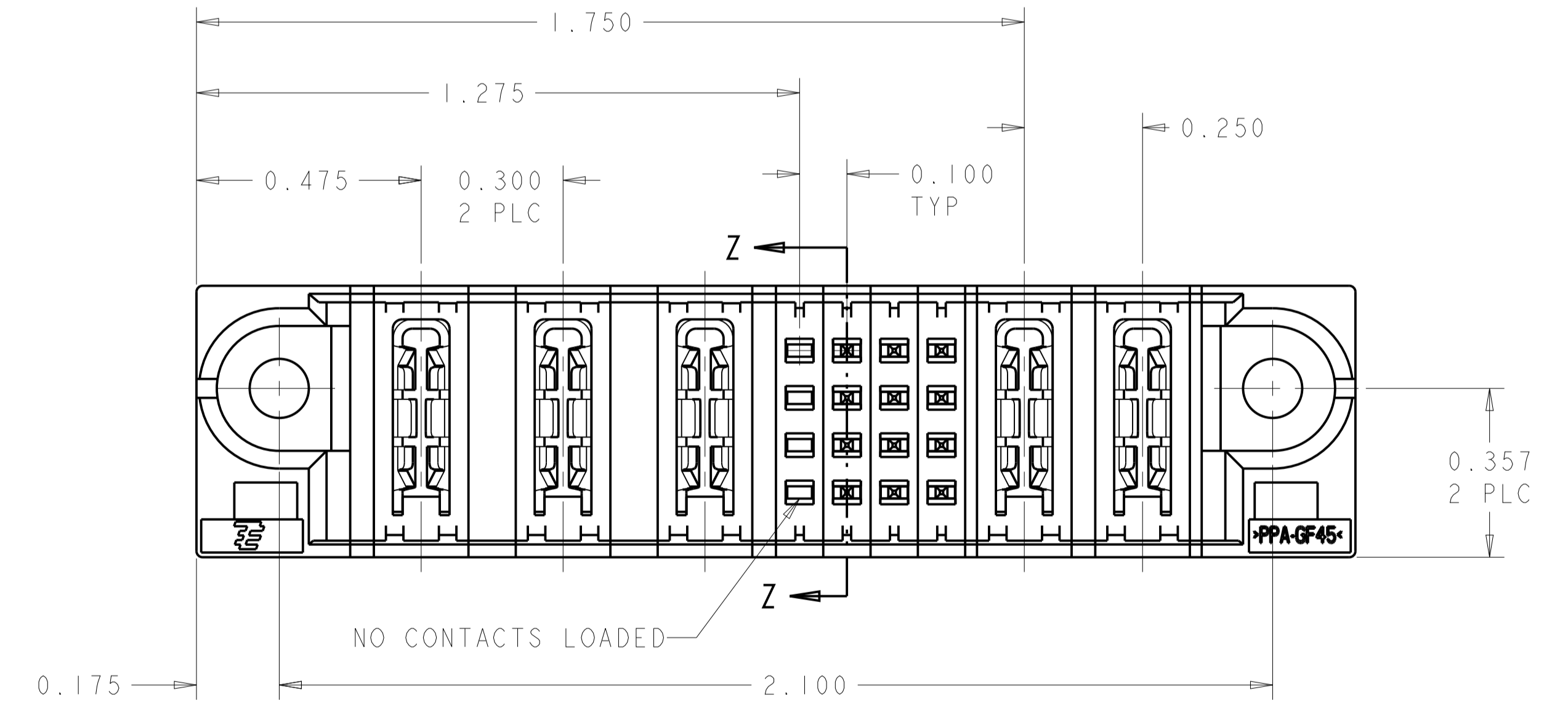
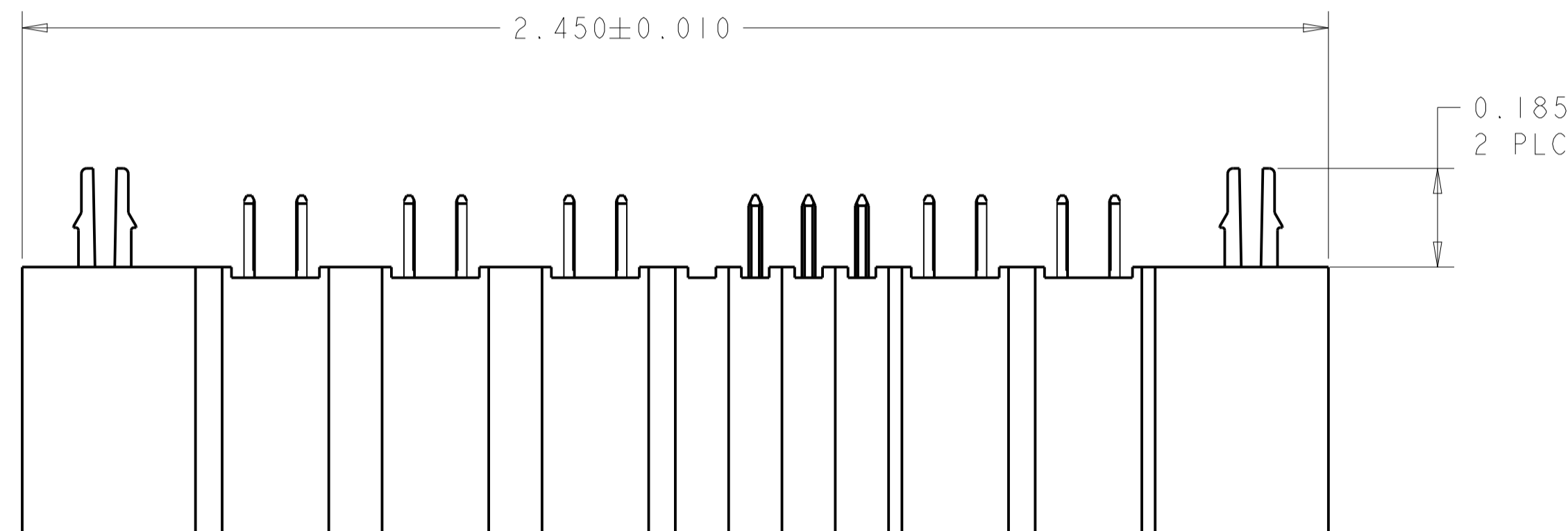
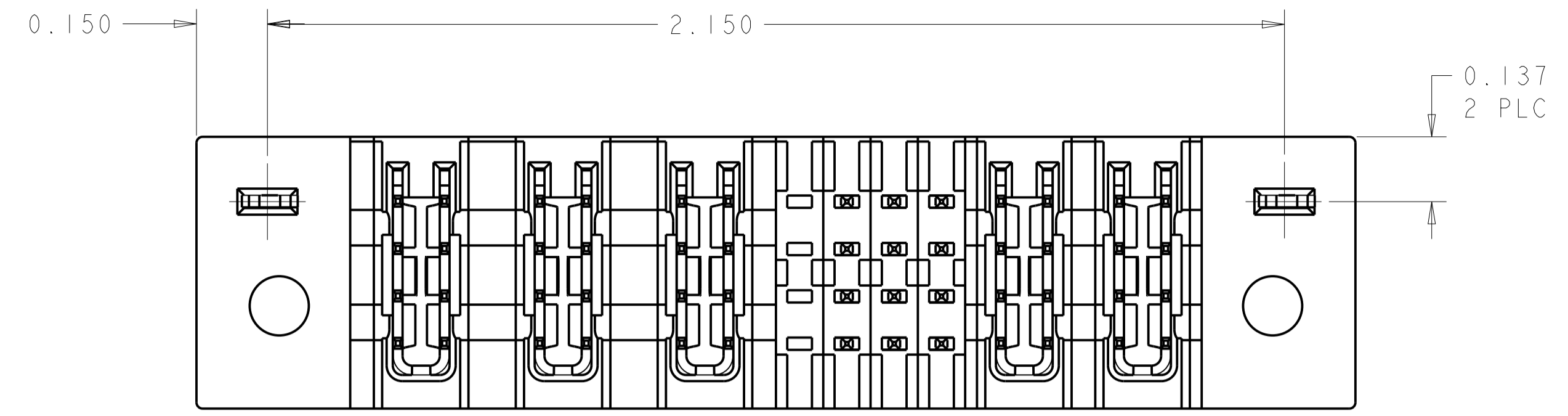


LOC		DIST		REVISIONS			
GP	00	REV	LTN	DESCRIPTION	DATE	DWN	APVD
		A		RELEASED	29DEC05	RG	MP
		A1		REV PER ECR-14-002489	24FEB2014	OL	SZ



SECTION Z-Z

- 1 "AMP", PART NUMBER AND DATE CODE TO BE MARKED IN AREA SHOWN PARTS UNDER 2.50 LONG MAY BE MARKED ON BOTH SIDES
- 2 MATERIAL: HOUSING - GLASS FILLED HIGH TEMP THERMO PLASTIC, UL94 V-0  
 SIGNAL CONTACT - COPPER ALLOY  
 POWER CONTACT - HIGH CONDUCTIVITY COPPER ALLOY
- 3 CONTACT PLATING: NOBLE METAL PLATING ON CONTACT FUNCTIONAL AREA OF POWER AND SIGNAL CONTACTS
- 4 MECHANICAL CONNECTOR KEEP OUT ZONE.
- 5 DATUM AND BASIC DIMENSIONS ESTABLISHED BY CUSTOMER.
- 6 PCB - ALL HOLE DIAMETERS ARE FINISHED HOLE SIZES.
- 7 PCB - .0453±.0010 DRILLED HOLES PLATED WITH .0003 MIN Sn OVER .001 TO .003 Cu PLATING TO ACHIEVE A .040±.003 DIA. HOLE.
- 8. A SEATING TOOL IS REQUIRED TO SEAT THE HEADER ON THE PC BOARD. PLEASE REFER TO THE 114-13038 APPLICATION SPECIFICATION.

DESIGN APPROVED THIS PRINT IS  
**PRELIMINARY**  
 TO FIRST PIECE APPROVAL  
 CONTACT PRODUCT ENGINEERING  
 BEFORE USING THIS PRINT

3ACP + 16S + 2P		1888316-1	
DESCRIPTION		PART NUMBER	
DIMENSIONS: INCHES 0 PLC ±.01 1 PLC ±.01 2 PLC ±.01 3 PLC ±.005 4 PLC ±.0020 ANGLES ±.7°		TOLERANCES UNLESS OTHERWISE SPECIFIED: 0 PLC ±.01 1 PLC ±.01 2 PLC ±.01 3 PLC ±.005 4 PLC ±.0020 ANGLES ±.7°	
DWN: R. GRZYBOWSKI CHK: M. PERCHERKE APVD: M. PERCHERKE		29DEC05 29DEC05 NAME: VERTICAL HEADER ASSEMBLY W/GUIDES SOLDER TAILS, MULTI-BEAM XL	
MATERIAL: PPA GF45 FINISH: 3		Tyco Electronics Harrisburg, PA 17105-3608 SIZE: A1 CAGE CODE: 00779 DRAWING NO: 1888316 RESTRICTED TO: A1	
CUSTOMER DRAWING		SCALE: 4:1 SHEET 1 OF 2 REV: A1	

LOC	DIST	REV	DATE	BY	APPV
GP	00				

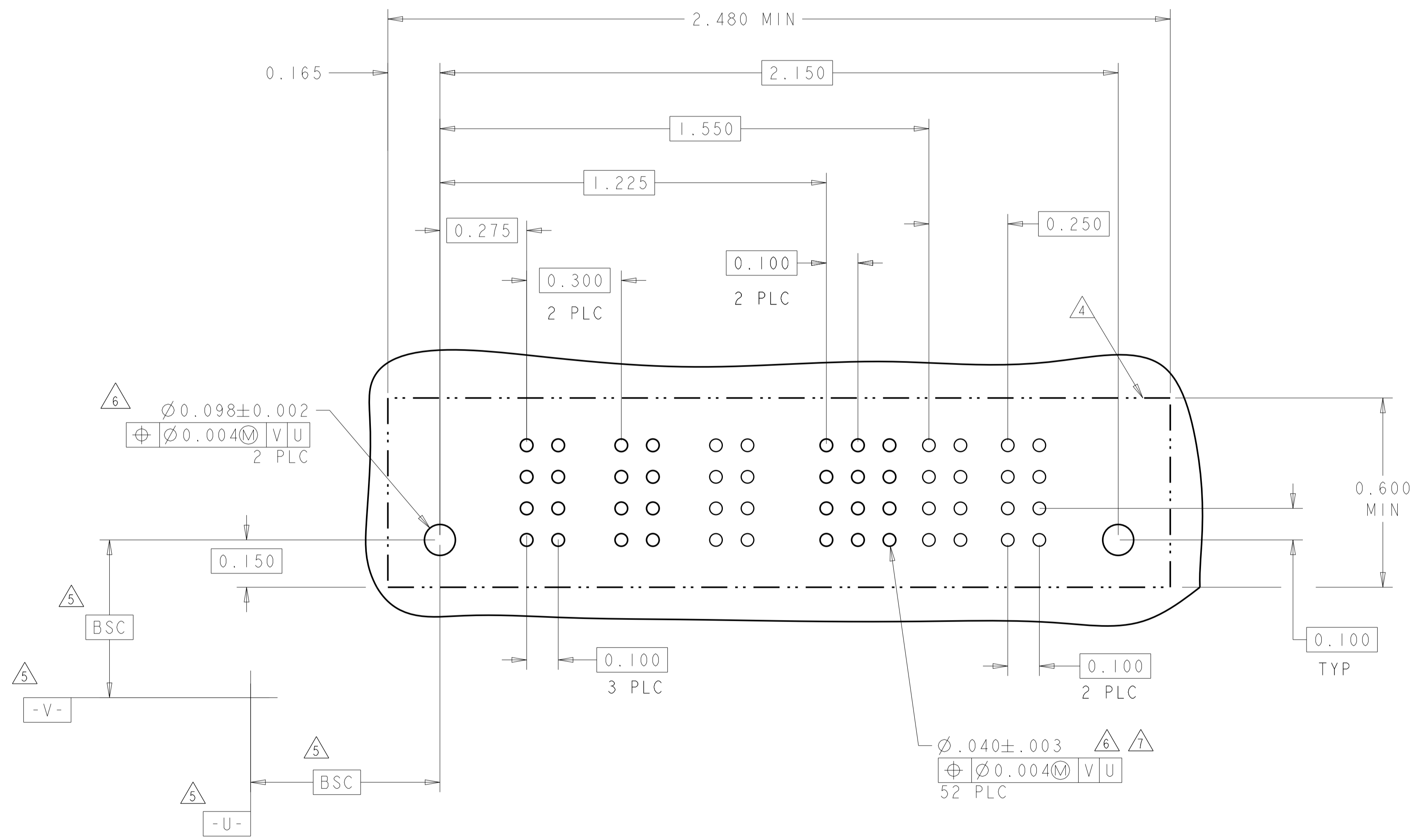
  

REVISIONS					
REV	DATE	DESCRIPTION	BY	APPV	DATE
-	-	SEE SHEET 1	-	-	-

PART NUMBER	ROWS	POWER			SIGNAL				POWER	
		P1	P2	P3	1	2	3	4	P4	P5
1888316-1	D	PV	PV	PV	T	T	T	PV	PV	
	C				T	T	T			
	B				T	T	T			
	A				T	T	V			

3ACP + 16S + 2P

NO CONTACTS LOADED



PV	POWER CONTACT
V	SIGNAL CONTACT - MLBF
T	SIGNAL CONTACT - STD
CODE	TAIL LENGTH
CONTACT TABLE	

DIMENSIONS: INCHES 		TOLERANCES UNLESS OTHERWISE SPECIFIED: 0 PLC ± 1 PLC ±.01 2 PLC ±.01 3 PLC ±.005 4 PLC ±.002 ANGLES ±.020		DWN: R. GRZYBOWSKI CHK: M. PERCHERKE APVD: M. PERCHERKE PRODUCT SPEC: 108-1973 APPLICATION SPEC: 114-13038 WEIGHT: - CUSTOMER DRAWING		Tyco Electronics Harrisburg, PA 17105-3608 NAME: VERTICAL HEADER ASSEMBLY W/GUIDES SOLDER TAILS, MULTI-BEAM XL SIZE: A CAGE CODE: 00779 DRAWING NO: 1888316 SCALE: 4:1 SHEET: 2 OF 2 REV: A1	
---------------------------	--	---	--	---	--	--	--