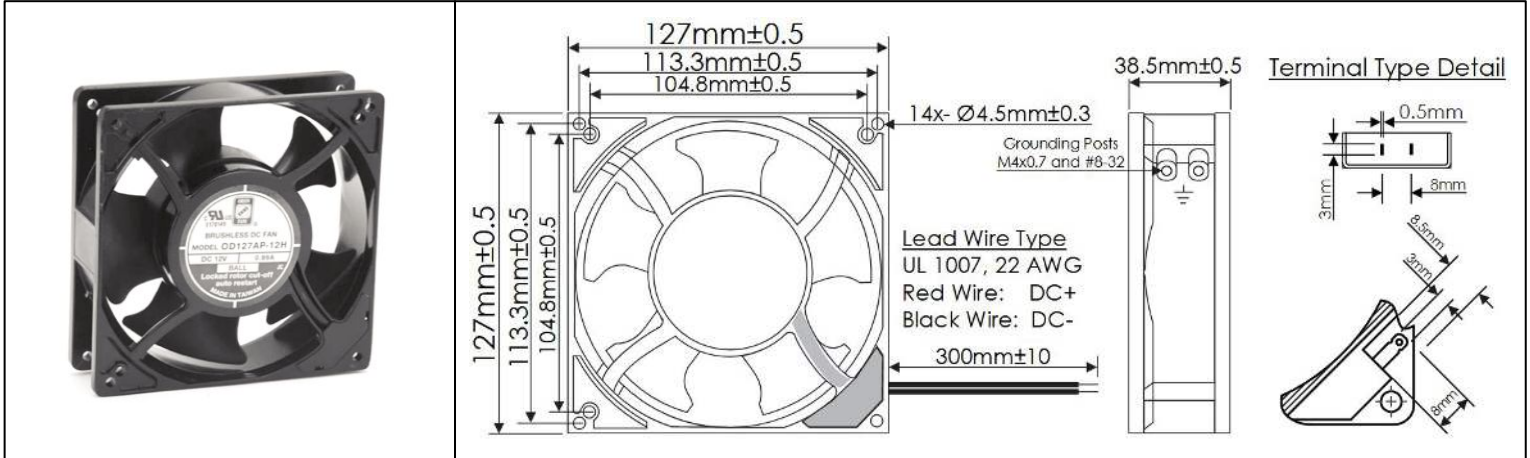


OD127AP Series



DC Fans - 12, 24, 48V
127mm x 38.5mm (5.0" x 1.5")



Frame	Die Cast Aluminum, Black Finish	Operating Temperature -20°C ~ +65°C	
Impeller	PBT, UL94 V-0 Plastic		
Connection	2x Lead Wires, 22 AWG, or Terminals	Life Expectancy 100,000 Hours (L10 at 35°C)	
Motor	Brushless DC, Auto Cutoff, Auto Restart, Polarity Protected, Electronically Protected	Available Options PWM Speed Control Input Tachometer Output Alarm Output Thermistor Speed Control IP Ratings	
Bearing System	Ball Bearings	Weight: 0.93 lbs	
Dielectric Strength	500VDC/min, <5mA		
Insulation Resistance	≥10MΩ @ 500 VDC		

Part Number	Rated Voltage (Volts DC)	Voltage Range (Volts DC)	Input Power (Watts)	Rated Current (Amps)	Rated Speed (RPM)	Max Airflow (CFM)	Noise Level (dBA)	Max Static Pressure (\"H ₂ O)
OD127AP-12H*	12	10 ~ 13.8	10.6	0.88	3200	140	46	0.41
OD127AP-12M*	12	10 ~ 13.8	6.00	0.50	2600	108	38	0.33
OD127AP-12L*	12	10 ~ 13.8	2.40	0.20	1900	86	30	0.23
OD127AP-24H*	24	21 ~ 26.4	10.3	0.43	3200	140	46	0.41
OD127AP-24M*	24	21 ~ 26.4	5.50	0.23	2600	108	38	0.33
OD127AP-24L*	24	21 ~ 26.4	3.60	0.15	1900	86	30	0.23
OD127AP-48H*	48	44 ~ 52.8	10.6	0.22	3200	140	46	0.41
OD127AP-48M*	48	44 ~ 52.8	5.00	0.10	2600	108	38	0.33
OD127AP-48L*	48	44 ~ 52.8	3.40	0.07	1900	86	30	0.23

* Substitute "TB" for Terminal type power connection, or "B" for Wire Lead type power connection.