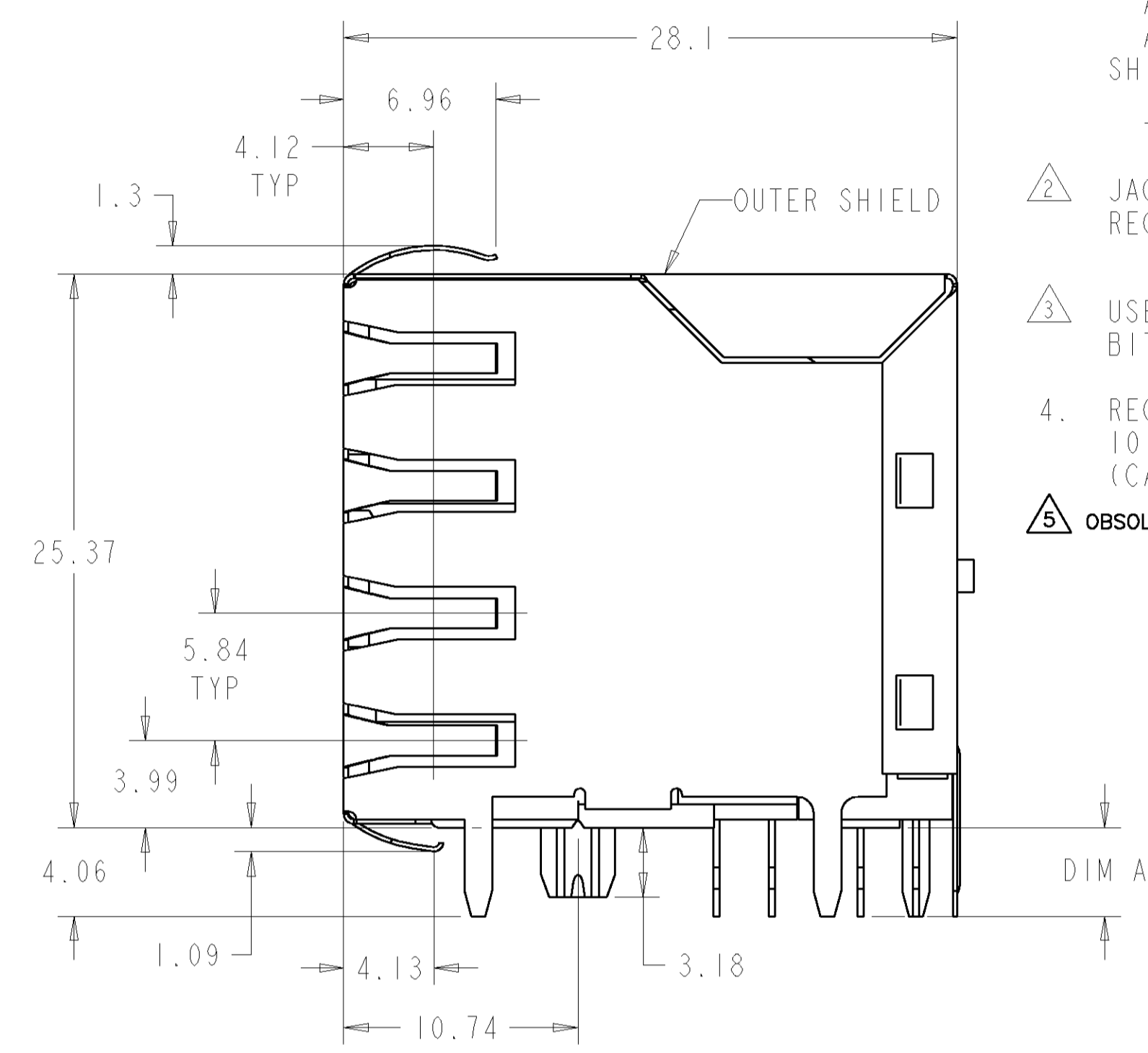
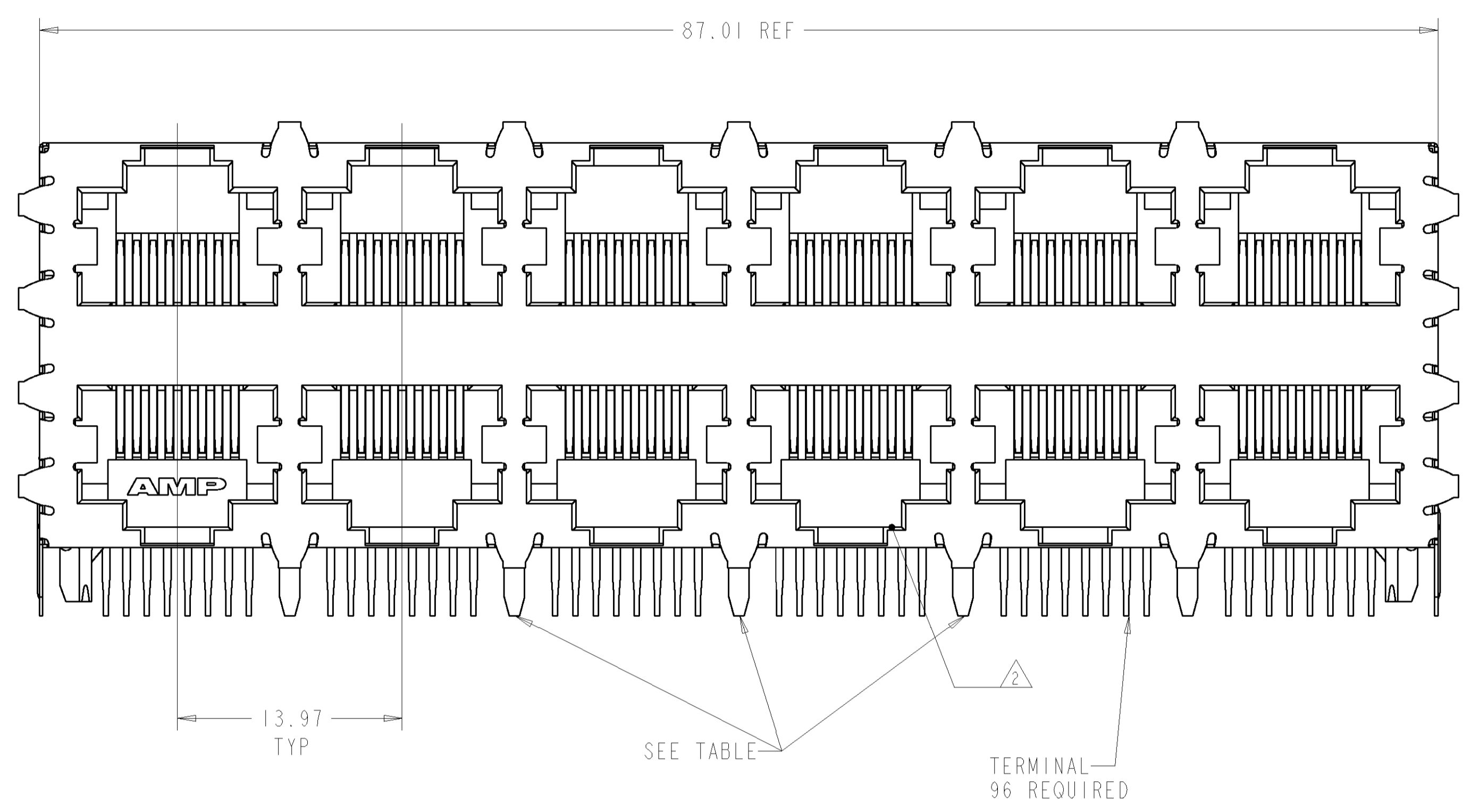
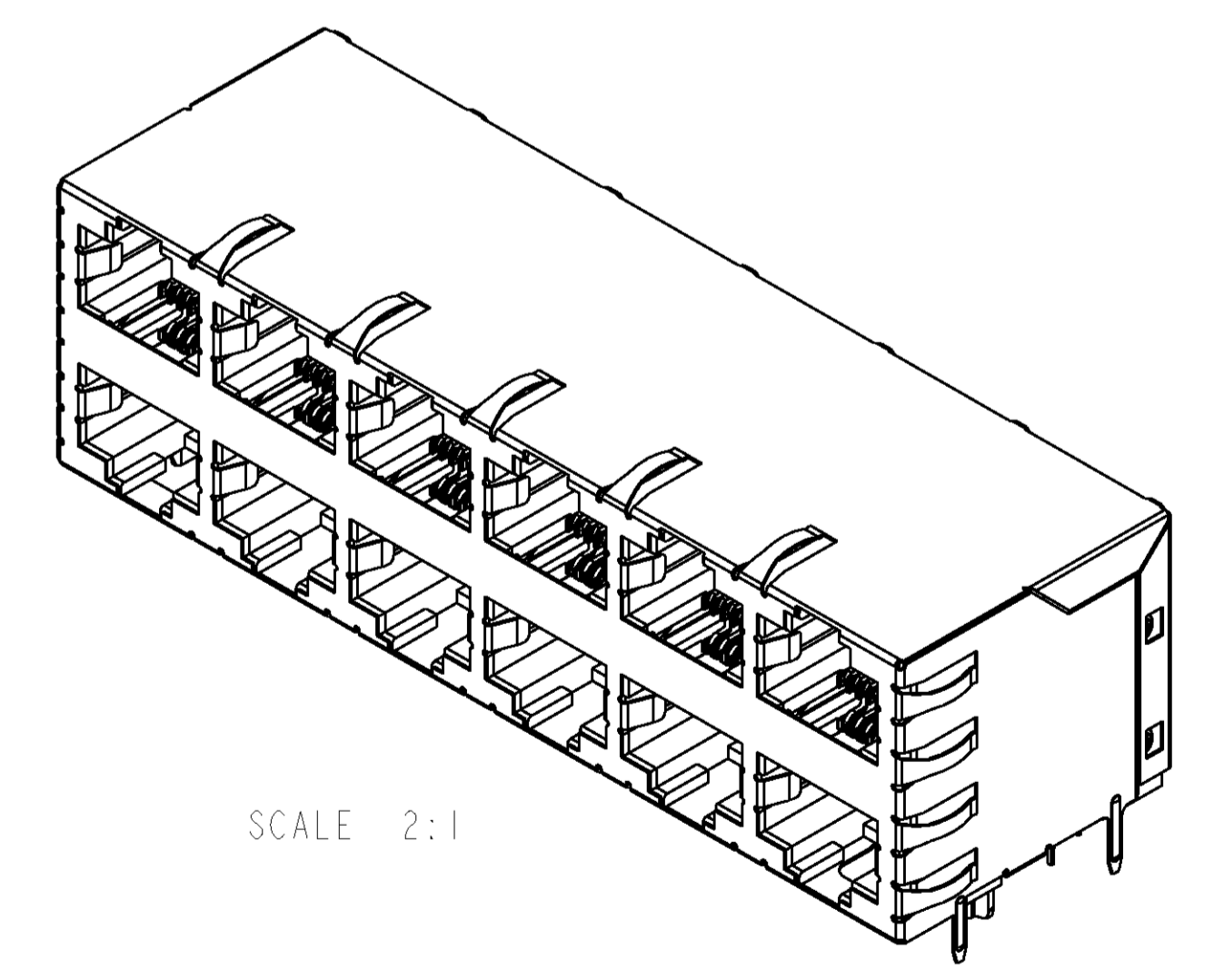
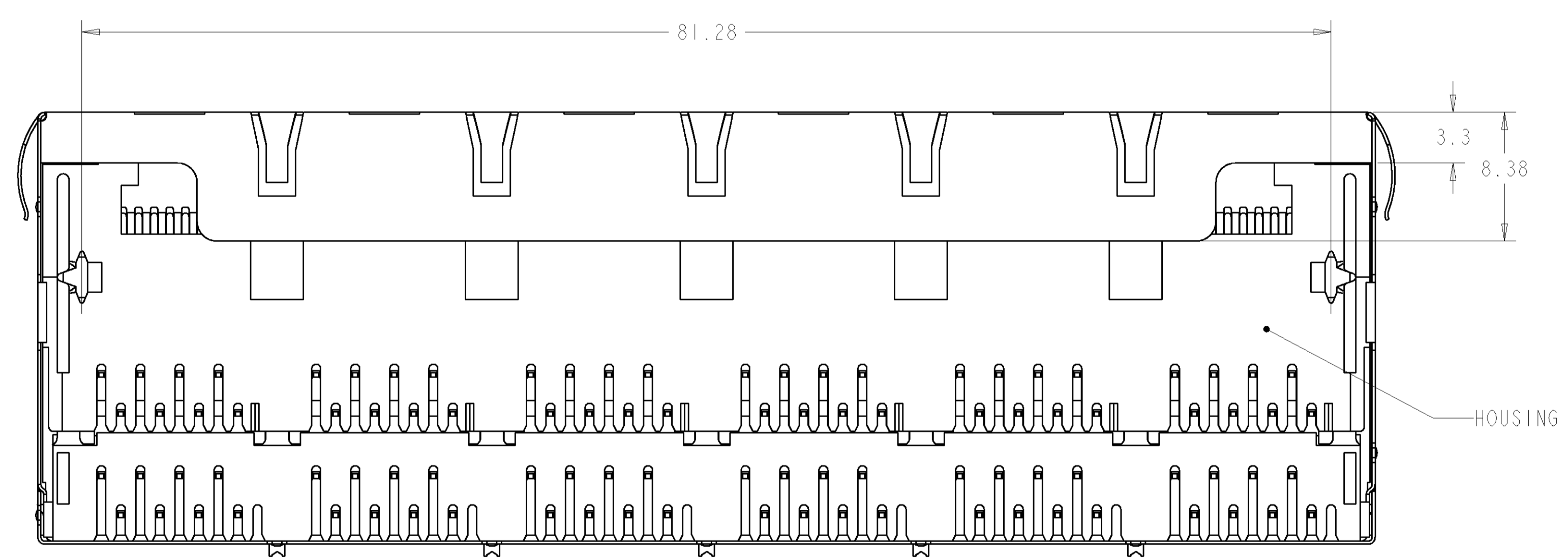


LOC	DIST	REVISIONS			
P	LTR	DESCRIPTION	DATE	DWN	APVD
A		REV. EC 0511-0201-04	23JUN2005	LV	SF
B		REV PER ECO-07-004583	02MAR2007	RG	JW
B1		REVISED PER ECO-10-000445	11JAN10	KK	AEG



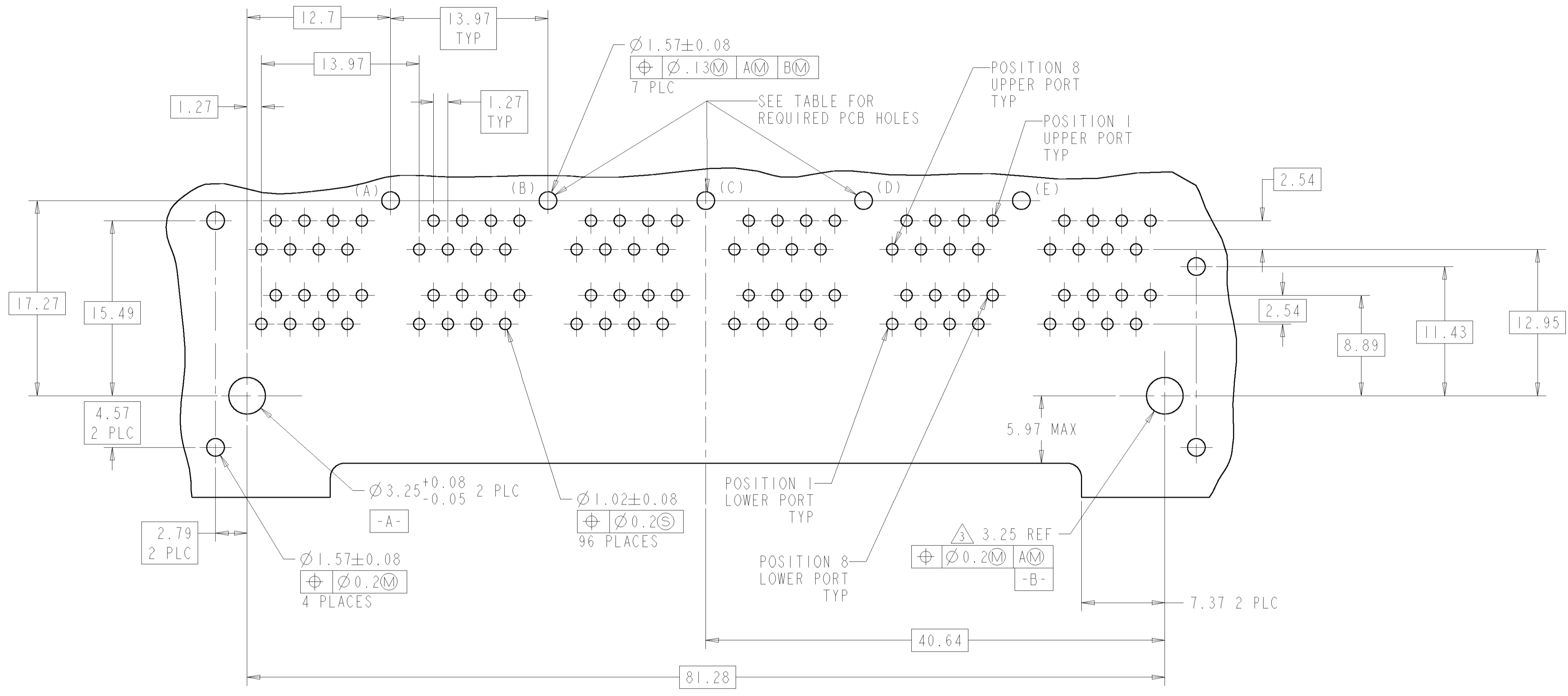
- △ HOUSING: PCT POLYESTER, BLACK, UL 94V-0.
 TERMINALS: 0.305 THICK PHOS BRONZE PLATED WITH 1.27µm MINIMUM THICK HARD GOLD IN LOCALIZED AREA AND 2.03µm MINIMUM THICK MATTE TIN IN SOLDER AREA OVER 1.27µm MINIMUM THICK NICKEL UNDERPLATE.
 SHIELD: 0.196 THICK COPPER ALLOY PLATED WITH 1.27µm MINIMUM NICKEL AND 2.03µm MINIMUM HOT TIN DIP ON PCB GROUND TABS.
- △ JACK CAVITY CONFORMS TO FCC RULES AND REGULATIONS, PART 68 SUBPART F.
- △ USE #30 DRILL BIT OR 3.25mm DRILL BIT WHEN PRODUCING THESE PCB HOLES
- 4. RECOMMENDED APPLICATIONS: FAST ETHERNET, 10 BASE-T ETHERNET, AND 10/100 BASE-T ETHERNET (CAT 5 TWO PAIR 1/2, 3/6)
- △ OBSOLETE PARTS: OBSOLETE CIS STREAMLINING PER D.RENAUD/D.SINISI



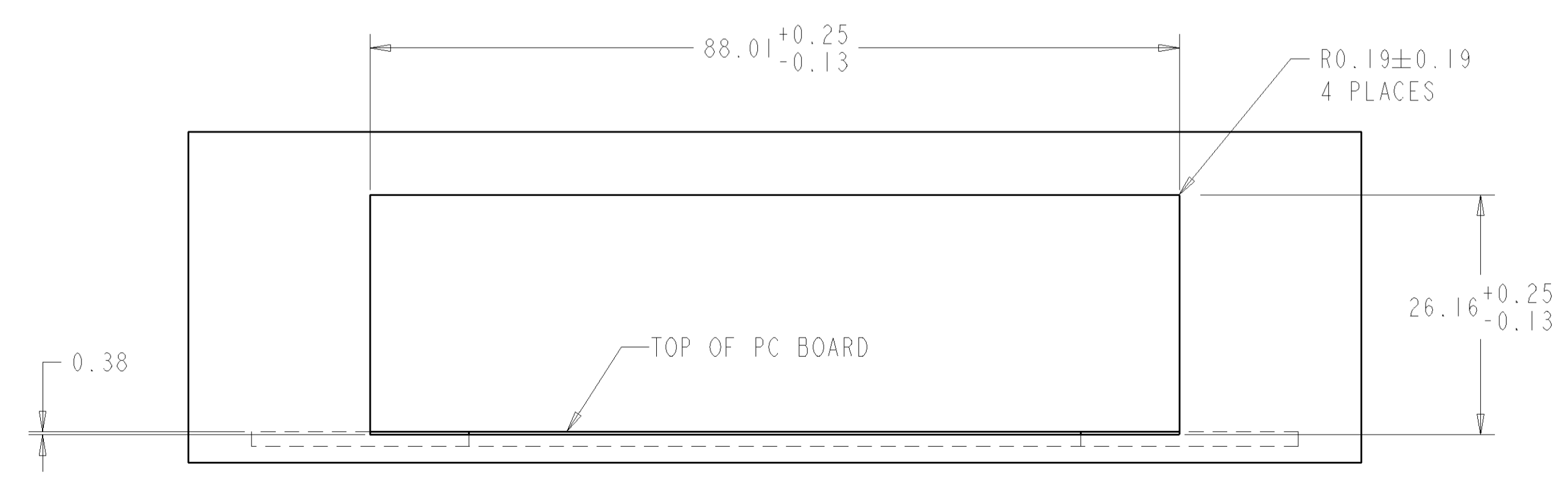
OBSELETE	3.05	NONE	NONE	6339114-4
△	3.56	NONE	NONE	6339114-3
	3.56	A, C, E	3	6339114-2
	3.56	A, B, C, D, E	5	6339114-1
	DIM A	PCB HOLES USED REAR PCB TABS		PART NO.

DIMENSIONS: mm 		TOLERANCES UNLESS OTHERWISE SPECIFIED: 0 PLC ±0.25 1 PLC ±0.25 2 PLC ±0.25 3 PLC ±0.25 4 PLC ±0.25 ANGLES ±0.25		DWN: 23 JUN 2005 ELM VARELA - 00485 CHK: J. WESTMAN APVD: S. FLICKINGER PRODUCT SPEC: 108-1163-9 APPLICATION SPEC: 114-2048 WEIGHT: - FINISH: -		DWN: 23 JUN 2005 ELM VARELA - 00485 CHK: J. WESTMAN APVD: S. FLICKINGER PRODUCT SPEC: 108-1163-9 APPLICATION SPEC: 114-2048 WEIGHT: - FINISH: -		tyco Electronics Tyco Electronics, Harrisburg, PA 17105-3608		NAME: ASSEMBLY STACKED JACK, 2 X 6, 8 POSITION, SHIELDED, WAVE PANEL GROUND SIZE: A1 CAGE CODE: 00779 DRAWING NO: C=6339114 RESTRICTED TO: - SCALE: 4:1 SHEET 1 OF 2 REV B1	
-----------------------	--	---	--	--	--	--	--	---	--	--	--

LOC	DIST	REVISIONS			
P	LTR	DESCRIPTION	DATE	DWN	APVD
-	-	SEE SHEET 1	-	-	-



PC BOARD LAYOUT VIEWED FROM COMPONENT SIDE OF BOARD
 SCALE 4:1



SUGGESTED PANEL CUTOUT DIMENSIONS
 SCALE 2:1

<small>THIS DRAWING IS UNPUBLISHED. RELEASED FOR PUBLICATION. THIS IS THE PROPERTY OF TYCO ELECTRONICS CORPORATION. IT IS TO BE KEPT IN CONFIDENTIALITY AND NOT TO BE REPRODUCED OR TRANSMITTED IN ANY FORM OR BY ANY MEANS, ELECTRONIC OR MECHANICAL, INCLUDING PHOTOCOPYING, RECORDING, OR BY ANY INFORMATION STORAGE AND RETRIEVAL SYSTEM, WITHOUT THE WRITTEN PERMISSION OF TYCO ELECTRONICS CORPORATION.</small>		DWN: L. VARELA - 23 JUN 2005 CHK: J. WESTMAN - 23 JUN 2005 APVD: S. FLICKINGER - 23 JUN 2005	tyco Electronics Tyco Electronics Harrisburg, PA 17105-3608
DIMENSIONS: mm:	TOLERANCES UNLESS OTHERWISE SPECIFIED: 0 PLC ±0.25 1 PLC ±0.25 2 PLC ±0.25 3 PLC ±0.25 4 PLC ±0.25 ANGLES ±0.25	NAME: ASSEMBLY STACKED JACK, 2 X 6, 8 POSITION, SHIELDED, WAVE PANEL GROUND	SIZE: A1 CAGE CODE: 00779 DRAWING NO: C=6339114
MATERIAL: -	FINISH: -	WEIGHT: -	RESTRICTED TO: -
CUSTOMER DRAWING		SCALE: 4:1	SHEET 2 OF 2 REV B1