

2.5 Nm 1.4 and 3.2 Watts 1.4 W Part number 82713012



- Gearbox 2.5 Nm nominal
- Class A EMC interference suppression (radiated)
- Compatible with 6 V, 9 V or 12 V battery power supply
- Optional class B interference suppression
- Optional 1, 5, 12 or 48 pulses/rev encoder

Part numbers

	Type	Type	Voltage	Output speed (rpm)	Ratios (i)
82713012	1.4 W	827130	24 V	23	150

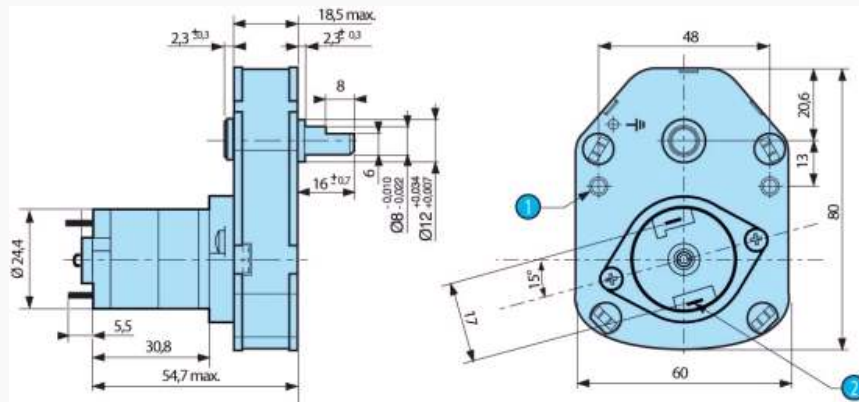
Specifications

General characteristics

Motor	82710002
Gearbox	810230
Maximum permitted gearbox torque (Nm). Duty cycle 15 %. T ON < 20 seconds	2,5
Axial load static (daN)	2
Radial load static (daN)	4
Max. output power (W)	1,4
Nominal output (W)	1
Gearbox case temperature rise (°C)	40
Weight (g)	320

Dimensions (mm)

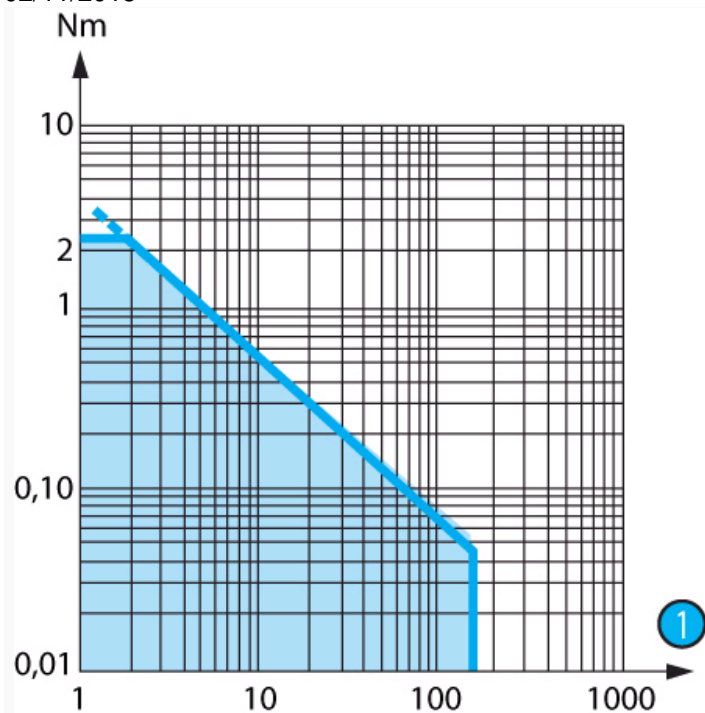
827130



N°	Legend
①	2 holes Ø 4 fixing points
②	Tags 2.8 x 0.5

Curves

Curve : torque/nominal speed 827130



N°	Legend
1	rpm

Product adaptations



- Special supply voltage
- Lead output
- Special connectors
- Special shaft
- Special reduction ratio
- Special materials for gears
- Special ball bearings
- Special adaptor plate
- Class B EMC filter
- 1 to 48 pulses/revolution encoder