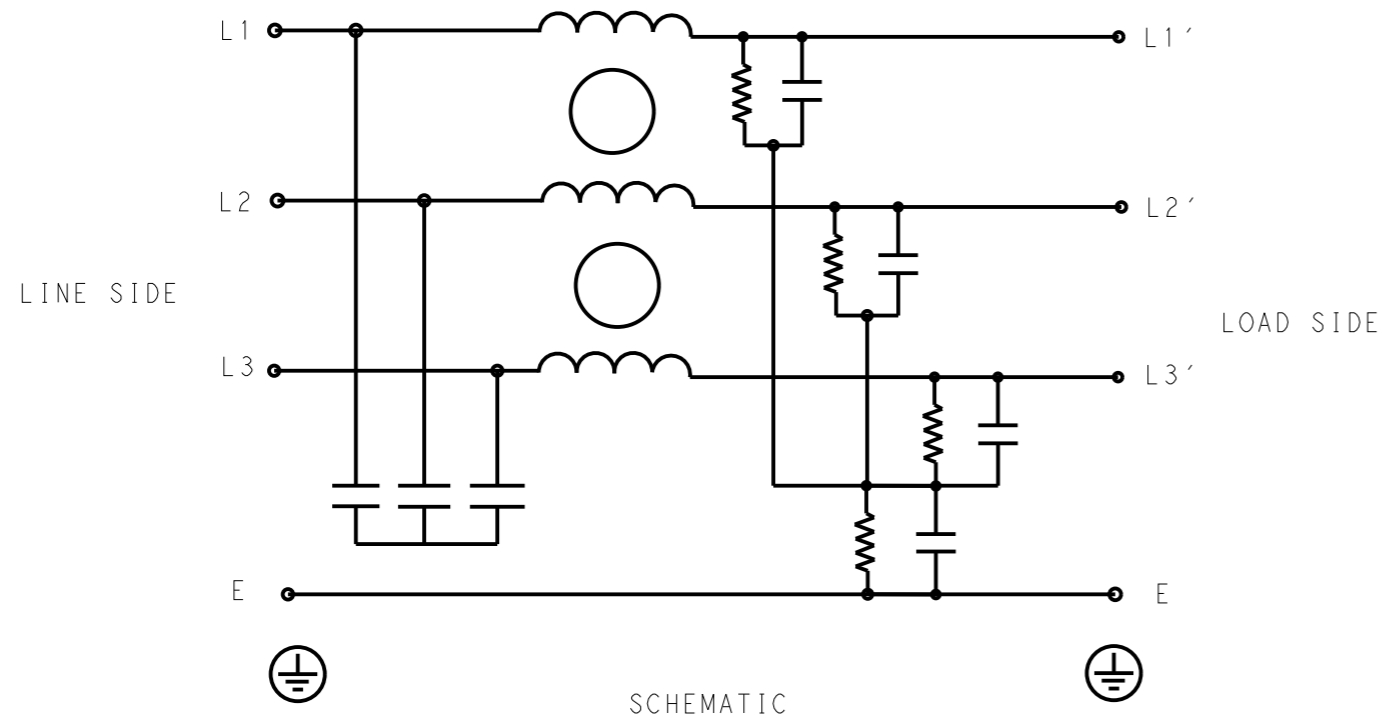


P	LTR	DESCRIPTION	DATE	DWN	APVD
	A	INITIAL RELEASE	07APR2021	SB	CB



SAFETY ORGANIZATIONS

THIS FILTER WILL BE FORMALLY RECOGNIZED, CERTIFIED OR APPROVED BY THE LISTED AGENCY. THEREFORE, ALL TEST/REQUIREMENTS SPECIFIED IN THE LATEST REVISION OF THE FOLLOWING AGENCY STANDARDS WILL BE MET:

UL APPROVED 30A 520V 50Hz/60Hz 40°C
 CSA APPROVED 30A 520V 50Hz/60Hz 40°C

OPERATING SPECIFICATION

LINE CURRENT/VOLTAGE: 30A, 520VAC
 LINE FREQUENCY: 50/60Hz

MAXIMUM LEAKAGE CURRENT: 5mA @ 230VAC, 50Hz

OPERATING AMBIENT TEMPERATURE RANGE @ RATED CURRENT: -25°C TO +40°C

IN AN AMBIENT, T_a, HIGHER THAN 40°C, THE MAXIMUM OPERATING CURRENT, I_o, IS AS FOLLOWS:

$$I_o = I_r \sqrt{\frac{85 - T_a}{45}}$$

RELIABILITY SPECIFICATIONS

STORAGE TEMPERATURE: -40°C TO +85°C
 HUMIDITY: 21 DAYS @ 40°C AND 95% RH

TEST SPECIFICATIONS

INDUCTANCE, NOMINAL: 2.4mH

CAPACITANCE @ 1kHz

LINE TO GROUND, NOMINAL: 0.3µF
 LINE TO LINE, NOMINAL: 1µF

DISCHARGE RESISTOR

L/G I.R. 680KΩ 1W
 L/L I.R. 3MΩ 1W
 L/N I.R. XXX
 N/G I.R. XXX

IR (NO DISCHARGE RESISTOR) 20°C, 50% RH AND 100VDC, MIN: 6MΩ

RECOMMENDED RECEIVING INSPECITON HIPOI

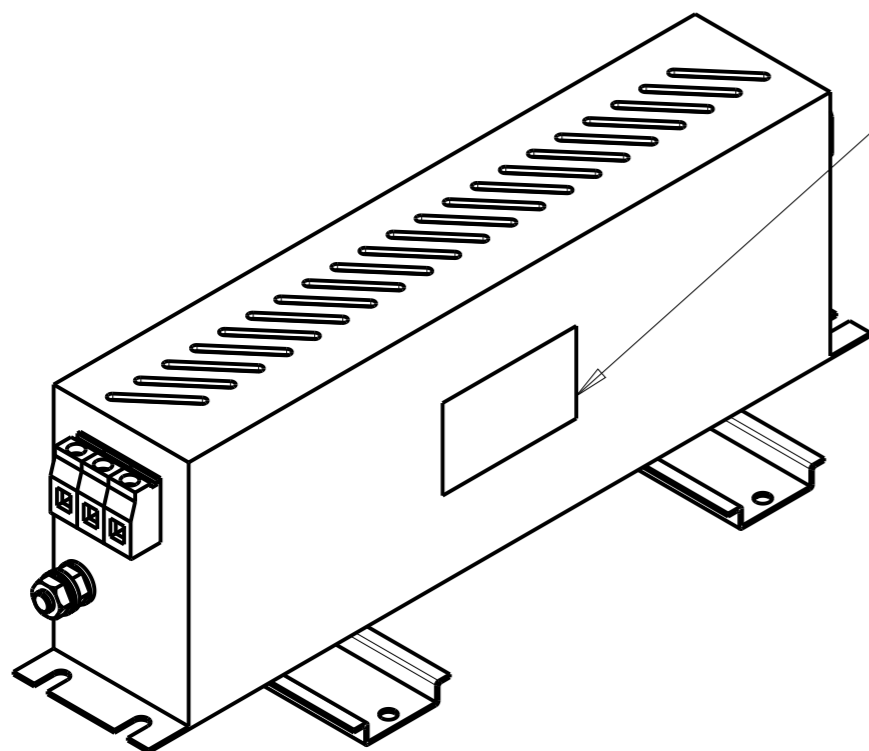
LINE TO GROUND FOR 1 MINUTE: 2856VDC
 LINE TO LINE FOR 1 MINUTE: 2236VDC

FILTER APPROVAL

THE BEST WAY TO SELECT AND QUALIFY A FILTER IS FOR YOUR ENGINEERING TO TEST THE UNIT IN YOUR EQUIPMENT.

TYPICAL INSERTION LOSS
 COMMON MODE 50/50Ω; DIFFERENTIAL MODE 50/50Ω

MHz	0.01	0.05	0.15	0.5	1	3	5	10	30
CM	40	26	47	70	73	51	44	34	13
DM	28	21	37	76	82	67	49	20	28



LABEL TO TE MARKING SPECIFICATION

THIS DRAWING IS A CONTROLLED DOCUMENT.		DWN 07APR2021 BAPAT SAHAS		
		CHK 07APR2021 CHRIS BOLLE		
DIMENSIONS: mm		APVD 07APR2021 CHRIS BOLLE	NAME POWER LINE FILTER FOR DIN 35 RAIL INSTALLATION 30KEMS10BBSVDM	
TOLERANCES UNLESS OTHERWISE SPECIFIED:		PRODUCT SPEC	RESTRICTED TO	
0 PLC ±-		APPLICATION SPEC	SIZE A3	CAGE CODE 00779
1 PLC ±0.5		WEIGHT -	DRAWING NO C-7-1609968-7	
2 PLC ±0.40		CUSTOMER DRAWING	SCALE 1:2	SHEET 1 OF 2
3 PLC ±0.130				REV A
4 PLC ±0.0500				
ANGLES ±-				
MATERIAL -				
FINISH -				

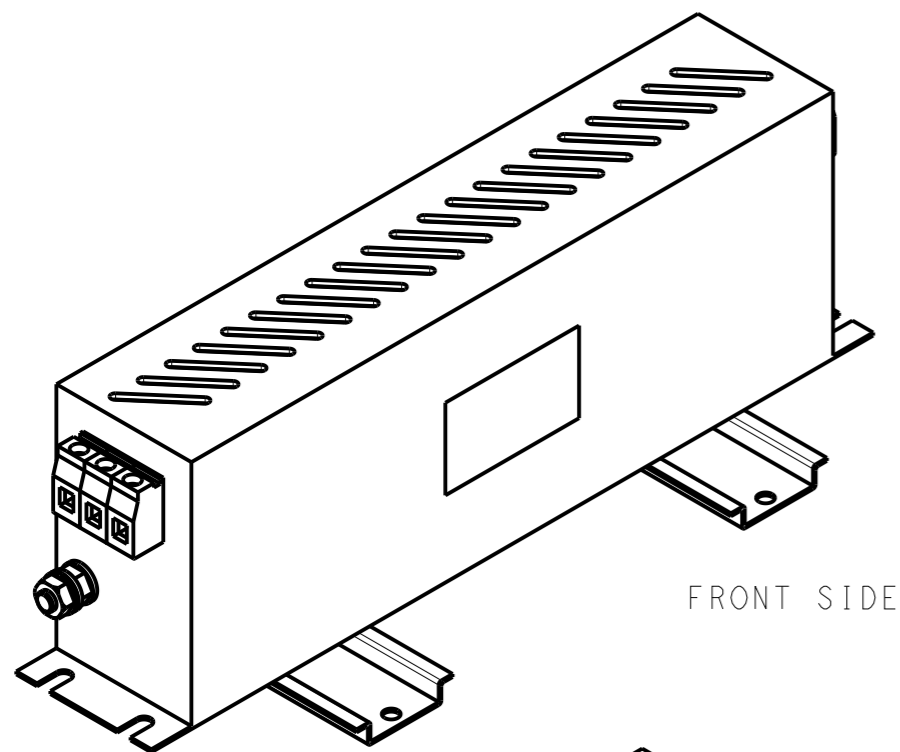
NOTE 1 GROUND CONNECTION:
 FOR ELECTRICAL SAFETY AND FILTER PERFORMANCE
 UNIT MUST HAVE A GOOD GROUND CONNECTION.
 TORQUE OUTER TERMINAL SCREWS: 0.5Nm / 4.5 in.lbs
 TORQUE GROUND NUTS: 2.5-3Nm

NOTE 2 INPUT OUTPUT CONNECTION TERMINAL
 AWG SIZE: 26-12 AWG
 WIRE SECTION: 4 mm²
 THREADED BOLT SIZE FOR GROUND: M6

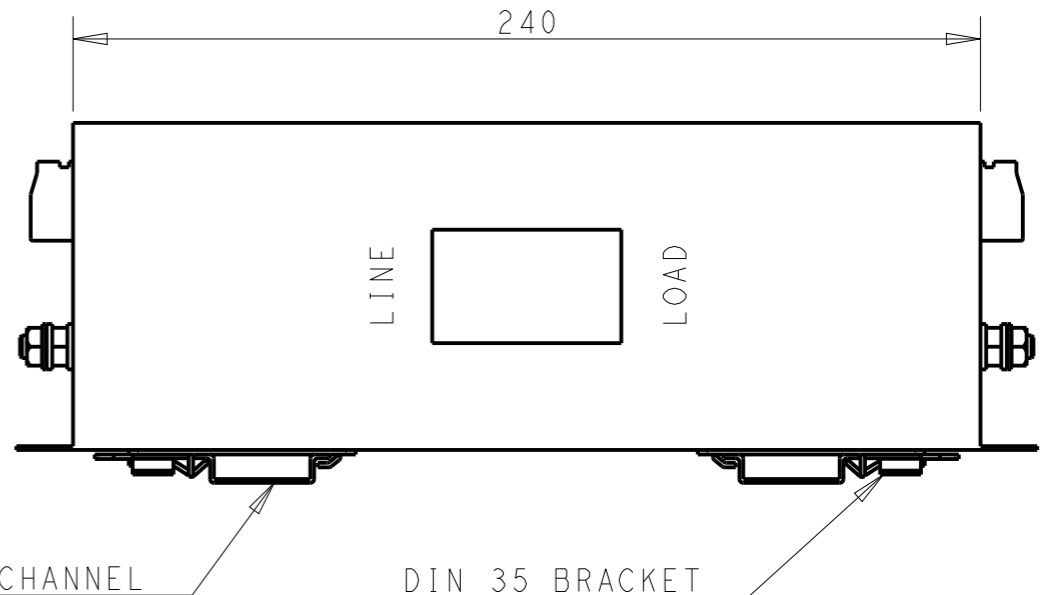
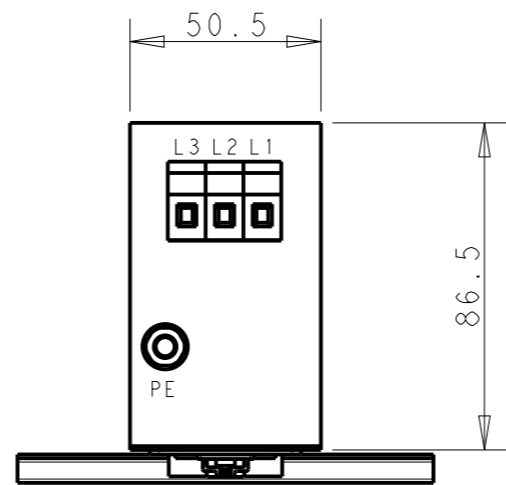
NOTE 3 SUPPLIED WITH DIN RAIL BRACKET

NOTE 4 DRAWINGS SHOWS DIN RAIL FOR
 REFERENCE ONLY

REVISIONS					
P	LTR	DESCRIPTION	DATE	DWN	APVD
		SEE SHEET 1			

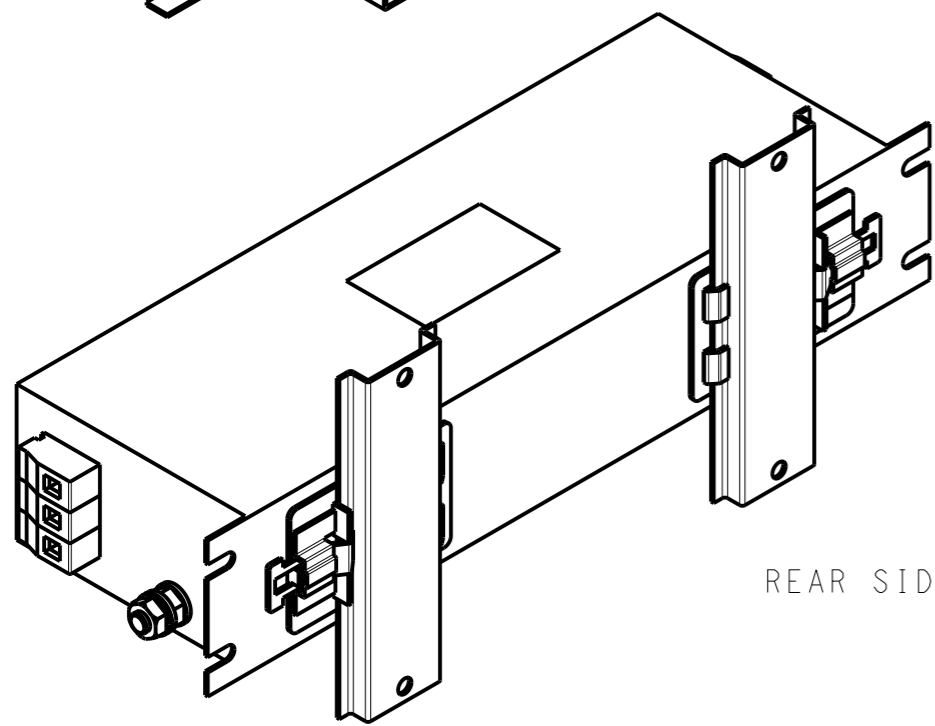


FRONT SIDE

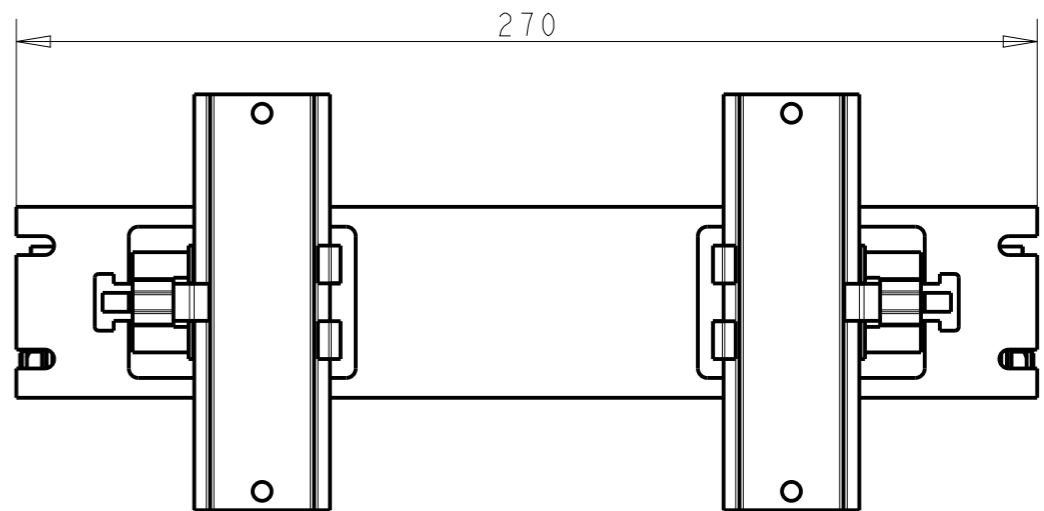


DIN RAIL CHANNEL

DIN 35 BRACKET



REAR SIDE



THIS DRAWING IS A CONTROLLED DOCUMENT.		DWN BAPAT SAHAS 07APR2021			
		CHK CHRIS BOLLE 07APR2021			
		APVD CHRIS BOLLE 07APR2021	NAME POWER LINE FILTER FOR DIN 35 RAIL INSTALLATION 30KEMS10BBSOVM		
DIMENSIONS: mm		TOLERANCES UNLESS OTHERWISE SPECIFIED:	PRODUCT SPEC -		
		0 PLC ±-	APPLICATION SPEC -		
		1 PLC ±0.5	WEIGHT -		
MATERIAL -		2 PLC ±0.40	SIZE A300779	CAGE CODE C-7-1609968-7	RESTRICTED TO -
		3 PLC ±0.130	SCALE 1:2		
		4 PLC ±0.0500	SHEET 2 OF 2		
		ANGLES ±-	REV A		
		FINISH -	CUSTOMER DRAWING		