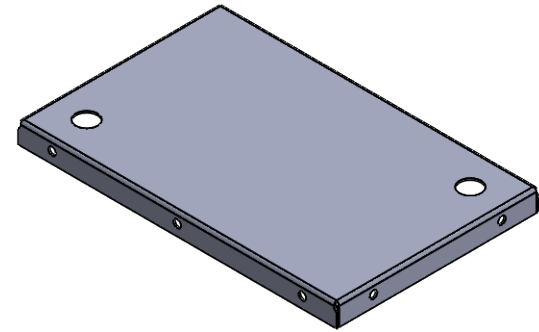
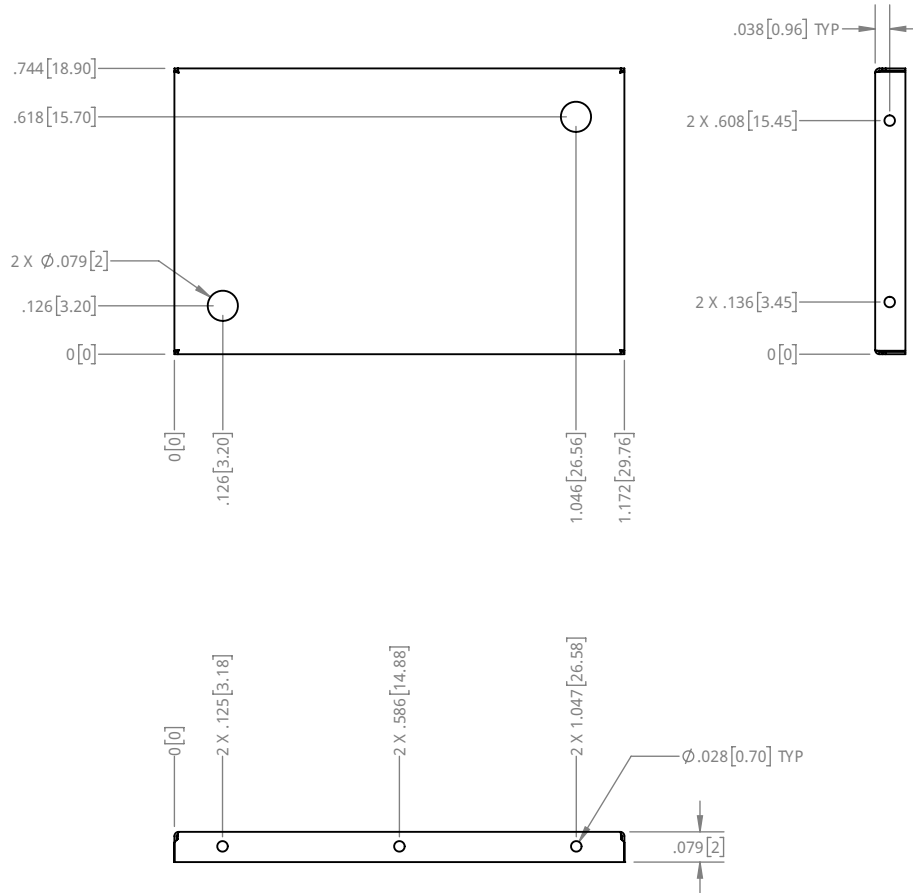


NOTES:

- MATERIAL: 0.006" NIC KEL SILVER



QE 14203

PROPRIETARY NOTICE: THESE DRAWINGS, LISTS OR SPECIFICATIONS ARE THE CONFIDENTIAL INFORMATION AND/OR TRADE SECRETS OF 3G SHIELDING SPECIALTIES, P., AND ISSUED IN STRICT CONFIDENCE. NO PART OF THIS DOCUMENT IS TO BE REPRODUCED, TRANSMITTED, USED FOR THE PHYSICAL MANUFACTURE OR SALE OF EQUIPMENT OR USED FOR ANY OTHER PURPOSE OTHER THAN EVALUATION.

UNLESS OTHERWISE SPECIFIED
U/M TOLERANCE ±0.005
INCHES

DATE 19-02-27



PART NUMBER PIC-N-209C	REV. 0
DESCRIPTION SHIELD COVER	
SCALE 2:1	SHEET 1 OF 1