

# Type 381LL/383LL, 105 °C Long Life, Snap-In Aluminum

## 8,000 Hour Snap-in



Type 381LL snap-ins are designed and tested to meet the high ripple current demands of inverter DC link applications where long-life of the capacitor bank is essential to system reliability. The 381LL series uses the most advanced electrolyte system that delivers reliable performance and stability of parameters over the life of the capacitor.

### Highlights

- 8,000 life at full rated conditions
- Stable capacitance over operating life
- Reduced leakage current over operating life
- Stable ESR and dissipation factor over operating life
- RoHS Compliant

### Specifications

Temperature Range	-55°C to + 105 °C																																																				
Rated Voltage Range	16 Vdc to 250 Vdc																																																				
Capacitance Range	740 µF to 100,000 µF																																																				
Capacitance Tolerance	± 20%																																																				
Leakage Current	≤3 $\sqrt{CV}$ µA, 4 mA max, 5 minutes																																																				
Ripple Current Multipliers	<p>Frequency</p> <table border="1"> <thead> <tr> <th></th> <th>50Hz</th> <th>60Hz</th> <th>120Hz</th> <th>500Hz</th> <th>1KHz</th> <th>20KHz</th> </tr> </thead> <tbody> <tr> <td><b>0-6 3 Vdc</b></td> <td>0.75</td> <td>0.85</td> <td>1</td> <td>1</td> <td>1.05</td> <td>1.05</td> </tr> <tr> <td><b>64-100 Vdc</b></td> <td>0.65</td> <td>0.75</td> <td>1</td> <td>1.2</td> <td>1.2</td> <td>1.4</td> </tr> <tr> <td><b>101-250 Vdc</b></td> <td>0.65</td> <td>0.73</td> <td>1</td> <td>1.1</td> <td>1.15</td> <td>1.2</td> </tr> </tbody> </table> <p>Ambient Temperature</p> <table border="1"> <thead> <tr> <th></th> <th>45</th> <th>60</th> <th>70</th> <th>85</th> <th>105</th> </tr> </thead> <tbody> <tr> <td><b>0-63 Vdc</b></td> <td>1.9</td> <td>1.7</td> <td>1.4</td> <td>1.25</td> <td>1</td> </tr> <tr> <td><b>64-100 Vdc</b></td> <td>1.6</td> <td>1.5</td> <td>1.3</td> <td>1.1</td> <td>1</td> </tr> <tr> <td><b>100-250 Vdc</b></td> <td>1.7</td> <td>1.5</td> <td>1.3</td> <td>1.2</td> <td>1</td> </tr> </tbody> </table>		50Hz	60Hz	120Hz	500Hz	1KHz	20KHz	<b>0-6 3 Vdc</b>	0.75	0.85	1	1	1.05	1.05	<b>64-100 Vdc</b>	0.65	0.75	1	1.2	1.2	1.4	<b>101-250 Vdc</b>	0.65	0.73	1	1.1	1.15	1.2		45	60	70	85	105	<b>0-63 Vdc</b>	1.9	1.7	1.4	1.25	1	<b>64-100 Vdc</b>	1.6	1.5	1.3	1.1	1	<b>100-250 Vdc</b>	1.7	1.5	1.3	1.2	1
	50Hz	60Hz	120Hz	500Hz	1KHz	20KHz																																															
<b>0-6 3 Vdc</b>	0.75	0.85	1	1	1.05	1.05																																															
<b>64-100 Vdc</b>	0.65	0.75	1	1.2	1.2	1.4																																															
<b>101-250 Vdc</b>	0.65	0.73	1	1.1	1.15	1.2																																															
	45	60	70	85	105																																																
<b>0-63 Vdc</b>	1.9	1.7	1.4	1.25	1																																																
<b>64-100 Vdc</b>	1.6	1.5	1.3	1.1	1																																																
<b>100-250 Vdc</b>	1.7	1.5	1.3	1.2	1																																																
Low Temperature Characteristics	Impedance ratio: $Z_{-55^{\circ}\text{C}}/Z_{+25^{\circ}\text{C}}$ ≤8 (16 - 50 Vdc) ≤4 (63 - 100 Vdc) ≤ 3 (150-250 Vdc)																																																				
Endurance Life Test	5000 h at full load at 105 °C Δ Capacitance ± 12.5% ESR 162.5% of limit DCL 100% of limit																																																				
Shelf Life Test	1000 h at 105 °C Δ Capacitance ±20% ESR 200% of limit DCL 100% of limit																																																				
Expected Life	8000 h at full load at 105°C Δ Capacitance ± 20% ESR 200% of limit DCL 100% of limit																																																				
Vibration	10 to 55 Hz, 0.06" and 10 g max, 2 h each plane																																																				
<a href="#">Regulatory Information</a>																																																					

# Type 381LL/383LL, 105 °C Long Life, Snap-In Aluminum

## 8,000 Hour Snap-in Part Numbering System

381LL/383LL

Type

381LL

801

Cap

801 = 800  $\mu$ F

832 = 8300  $\mu$ F

863 = 86,000  $\mu$ F

M

Tolerance

M =  $\pm$ 20%

016

Voltage

016 = 16 Vdc

063 = 63 Vdc

100 = 100 Vdc

A03

Case Code

2

Insulating Sleeve

2 = PET

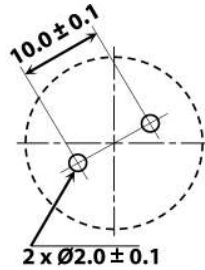
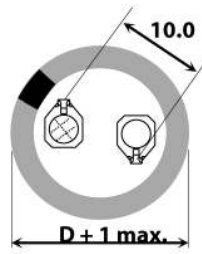
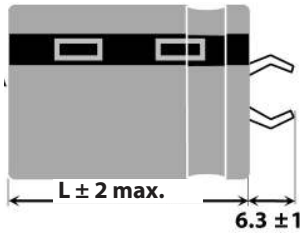
V

V = 5 Pin Standoff

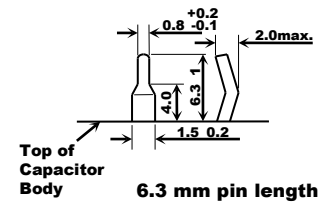
## Outline Drawings

Two Pins

381LL (25 through 40 mm diameter)



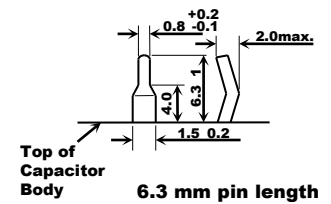
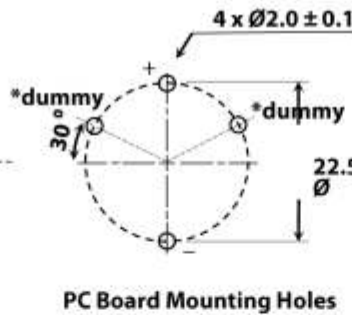
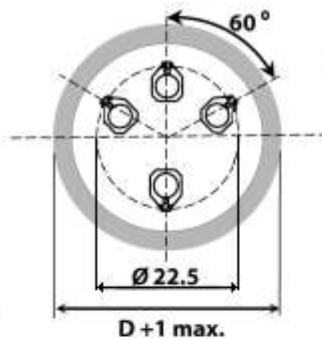
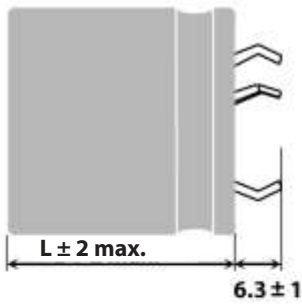
Available in 2, 4 and 5 pins



PC Board Mounting Holes

Four Pins

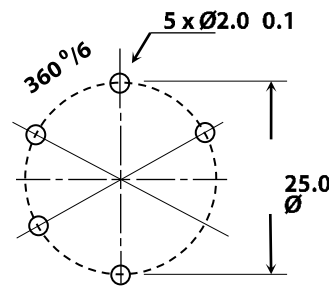
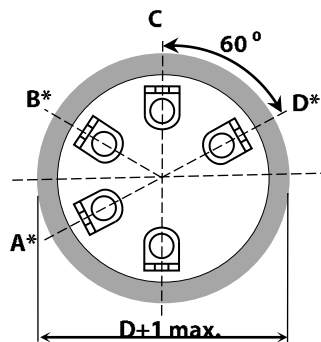
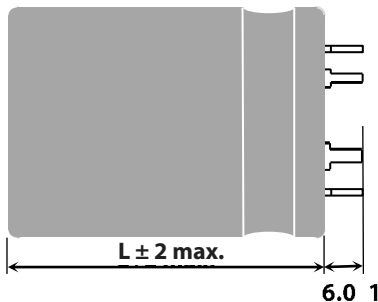
383LL (35, 40 mm diameter)



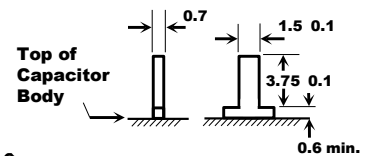
PC Board Mounting Holes

Five Pins

383LL (40 mm diameter)



Available in 5 pins



5 pin Standoff pin style (add "V" to end of part#)

PC Board Mounting Holes

Terminal	Connection	
	40 mm Dia.	50 mm Dia.
A	dummy	negative (-)
B	dummy	dummy
C	positive (+)	positive (+)
D	dummy	positive (+)
-	negative (-)	negative (-)

Notes:

\* Use dummy terminals for mechanical support only. Make no electrical connection because they resistively connect through the electrolyte to the negative terminal.

\*\* Safety Vent may be on the bottom or on the side of the can.

# Type 381LL/383LL, 105 °C Long Life, Snap-In Aluminum

## 8,000 Hour Snap-in Ratings

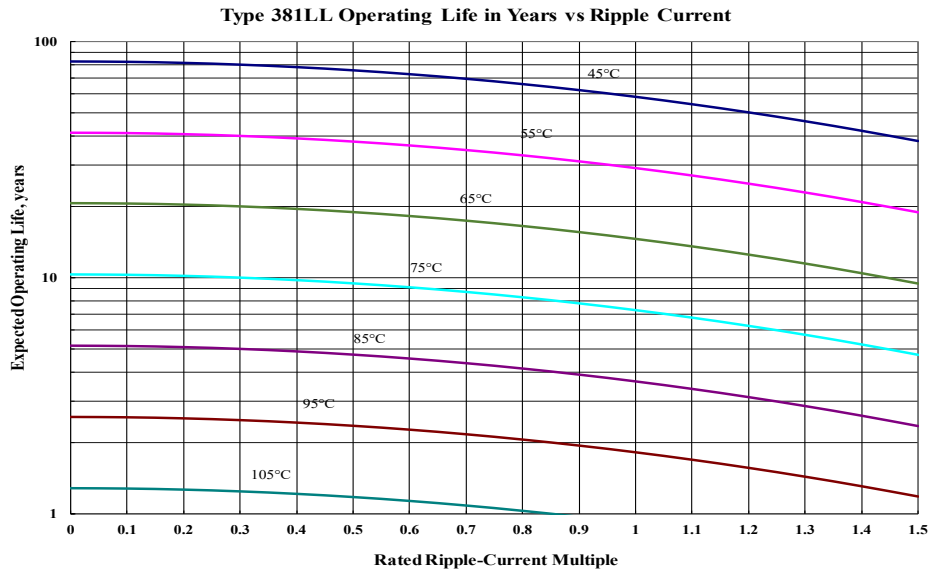
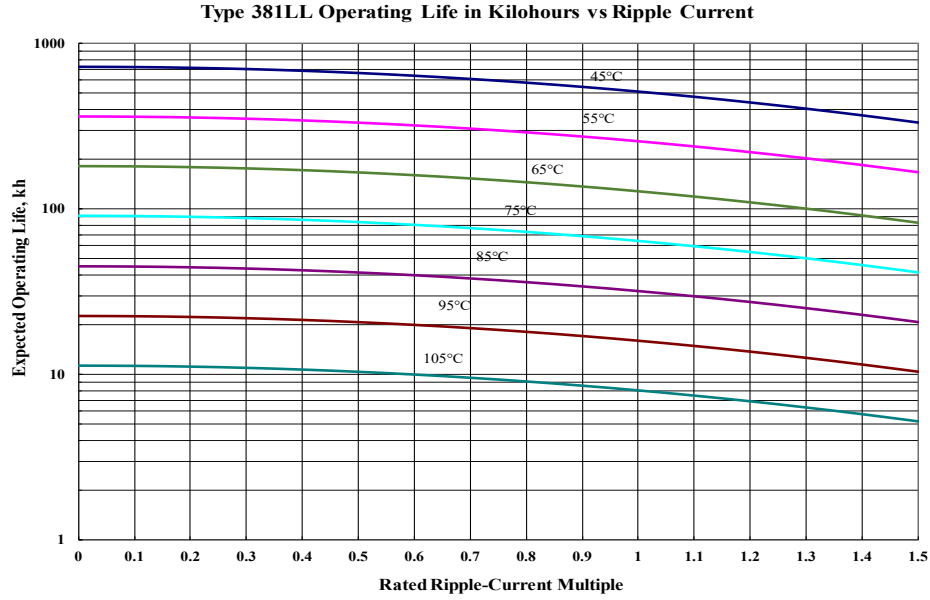
\*denotes discontinued part

Cap (µF)	Catalog Part Number	Max ESR @ +25°C		Ripple Amps @105 °C		Nominal Size D x L (mm)	Cap (µF)	Catalog Part Number	Max ESR @ +25°C		Ripple Amps @105 °C		Nominal Size D x L (mm)						
		120 Hz	20 kHz	120 Hz	20 kHz				120 Hz	20 kHz	120 Hz	20 kHz							
		(ohms)	(ohms)	(A)	(A)				(ohms)	(ohms)	(A)	(A)							
<b>16 Vdc (20Vdc Surge)</b>							<b>80 Vdc (100 Vdc Surge)</b>												
35000	381LL353M016A032	0.037	0.036	4.81	5.00	35 x 35	4000	381LL402M080A032	0.084	0.042	3.60	5.04	35 x 35						
59000	381LL593M016A052	0.022	0.021	6.83	7.10	35 x 50	4700	381LL472M080A052	0.056	0.028	4.80	6.72	35 x 50						
73000	383LL733M016N052	0.021	0.021	7.60	7.91	40 x 50	6800	381LL682M080A052	0.050	0.025	5.11	7.16	35 x 50						
75000	381LL753M016A062	0.016	0.015	8.42	8.75	35 x 63	6800	381LL682M080A062	0.040	0.020	6.00	8.39	35 x 63						
100000	383LL104M016N062	0.016	0.015	9.39	9.77	40 x 63	8400	383LL842M080N052	0.046	0.023	5.86	8.20	40 x 50						
150000*	383LL154M016E752	0.013	0.013	11.79	12.26	45 x 75	9200	381LL922M080A062	0.036	0.018	6.32	8.85	35 x 63						
170000	383LL174M016B062	0.015	0.015	11.22	11.67	50 x 63	10000*	383LL103M080E052	0.044	0.022	6.6	9.24	45 x 50						
200000	383LL204M016B752	0.013	0.012	12.83	13.35	50 x 75	11000	383LL113M080N062	0.034	0.017	7.24	10.13	40 x 63						
<b>35 Vdc (44 Vdc Surge)</b>							<b>18000*</b>							383LL183M080E752	0.026	0.013	9.37	13.11	45 x 75
6800	381LL682M035A032	0.058	0.056	3.84	3.99	35 x 35	19000	383LL193M080B062	0.03	0.015	9.14	12.79	50 x 63						
13000	381LL133M035A032	0.042	0.041	4.50	4.68	35 x 35	23000	383LL233M080B752	0.025	0.012	10.45	14.63	50 x 75						
18000	381LL183M035A052	0.027	0.026	6.09	6.34	35 x 50	<b>100 Vdc (125 Vdc Surge)</b>												
22000	381LL223M035A052	0.025	0.024	6.39	6.65	35 x 50	2400	381LL242M100A032	0.091	0.046	3.46	4.84	35 x 35						
28000	383LL283M035N052	0.024	0.023	7.20	7.48	40 x 50	3300	381LL332M100A052	0.059	0.029	4.70	6.58	35 x 50						
31000	381LL313M035A062	0.018	0.018	7.90	8.21	35 x 63	4100	381LL412M100A052	0.054	0.027	4.91	6.87	35 x 50						
35000*	383LL353M035E052	0.023	0.023	7.99	8.31	45 x 50	4700	381LL472M100A062	0.042	0.021	5.86	8.21	35 x 63						
38000	383LL383M035N062	0.018	0.017	8.89	9.25	40 x 63	5100	383LL512M100N052	0.050	0.025	5.65	7.91	40 x 50						
58000*	383LL583M035E752	0.014	0.014	11.28	11.73	45 x 75	5600	381LL562M100A062	0.039	0.020	6.07	8.49	35 x 63						
66000	383LL663M035B062	0.016	0.016	10.85	11.29	50 x 63	6400*	383LL642M100E052	0.046	0.023	6.41	8.97	45 x 50						
79000	383LL793M035B752	0.014	0.013	12.41	12.91	50 x 75	6800	383LL682M100N062	0.037	0.018	6.96	9.74	40 x 63						
<b>50 Vdc ( 63 Vdc Surge)</b>							7000	383LL702M100N062	0.037	0.018	6.99	9.78	40 x 63						
6800	381LL682M050A032	0.047	0.046	3.91	4.07	35 x 35	10000*	383LL103M100E752	0.028	0.014	9.05	12.67	45 x 75						
8400	381LL842M050A032	0.041	0.040	4.18	4.35	35 x 35	12000	383LL123M100B062	0.031	0.016	8.92	12.49	50 x 63						
14000	381LL143M050A052	0.025	0.024	5.94	6.18	35 x 50	14000	383LL142M100B752	0.026	0.013	10.2	14.29	50 x 75						
17000	383LL173M050N052	0.023	0.022	6.77	7.04	40 x 50	<b>200 Vdc (250 Vdc Surge)</b>												
18000	381LL183M050A062	0.018	0.018	7.28	7.58	35 x 63	950	381LL951M200A032	0.183	0.092	2.30	3.22	35 x 35						
19000	381LL193M050A062	0.018	0.017	7.34	7.64	35 x 63	1600	381LL162M200A052	0.108	0.054	3.38	4.74	35 x 50						
22000*	383LL223M050E052	0.022	0.021	7.61	7.91	45 x 50	2000	383LL202M200N052	0.101	0.051	3.87	5.42	40 x 50						
24000	383LL243M050N062	0.017	0.016	8.37	8.70	40 x 63	2200	381LL222M200A062	0.079	0.040	4.19	5.86	35 x 63						
36000*	383LL363M050E752	0.013	0.013	10.72	11.15	45 x 75	2500*	383LL252M200E052	0.095	0.048	4.36	6.11	45 x 50						
41000	383LL413M050B062	0.015	0.015	10.44	10.85	50 x 63	2700	383LL272M200N062	0.074	0.037	4.78	6.70	40 x 63						
49000	383LL493M050B752	0.013	0.012	11.94	12.41	50 x 75	4100*	383LL412M200E752	0.058	0.029	6.16	8.63	45 x 75						
<b>63 Vdc (79 Vdc Surge)</b>							4600	383LL462M200B062	0.065	0.033	6.03	8.44	50 x 63						
4700	381LL472M063A032	0.086	0.083	2.91	3.03	35 x 35	5600	383LL562M200B752	0.054	0.027	6.9	9.66	50 x 75						
6400	381LL642M063A032	0.080	0.078	3.02	3.14	35 x 35	<b>250 Vdc (300 Vdc Surge)</b>												
6800	381LL682M063A052	0.050	0.048	4.18	4.35	35 x 50	740	381LL741M250A032	0.200	0.100	2.28	3.19	35 x 35						
10000	381LL103M063A052	0.047	0.046	4.28	4.45	35 x 50	1200	381LL122M250A052	0.118	0.059	3.24	4.54	35 x 50						
13000	383LL133M063N052	0.044	0.043	4.89	5.08	40 x 50	1500	383LL152M250N052	0.109	0.055	3.73	5.22	40 x 50						
14000	381LL143M063A062	0.035	0.034	5.29	5.50	35 x 63	1700	381LL172M250A062	0.087	0.043	4.00	5.60	35 x 63						
16000*	383LL163M063E052	0.042	0.041	5.49	5.71	45 x 50	1900*	383LL192M250E052	0.102	0.051	4.23	5.92	45 x 50						
18000	383LL183M063N062	0.033	0.032	6.04	6.28	40 x 63	2100	383LL212M250N062	0.080	0.040	4.61	6.45	40 x 63						
27000*	383LL273M063E752	0.026	0.026	7.75	8.06	45 x 75	3200*	383LL322M250E752	0.062	0.031	5.97	8.36	45 x 75						
31000	383LL313M063B062	0.029	0.028	7.56	7.87	50 x 63	3600	383LL362M250B062	0.069	0.034	5.88	8.23	50 x 63						
37000	383LL373M063B752	0.024	0.023	8.65	9	50 x 75	4300	383LL432M250B752	0.057	0.029	6.73	9.42	50 x 75						

# Type 381LL/383LL, 105 °C Long Life, Snap-In Aluminum

## 8,000 Hour Snap-in

### Typical Performance Curves



# Type 381LL/383LL, 105 °C Long Life, Snap-In Aluminum

## 8,000 Hour Snap-in

### Typical Performance Curves



Based on 330uF 250Vdc Endurance Life Test

**Notice and Disclaimer:** All product drawings, descriptions, specifications, statements, information and data (collectively, the "Information") in this datasheet or other publication are subject to change. The customer is responsible for checking, confirming and verifying the extent to which the Information contained in this datasheet or other publication is applicable to an order at the time the order is placed. All Information given herein is believed to be accurate and reliable, but it is presented without any guarantee, warranty, representation or responsibility of any kind, expressed or implied. Statements of suitability for certain applications are based on the knowledge that the Cornell Dubilier company providing such statements ("Cornell Dubilier") has of operating conditions that such Cornell Dubilier company regards as typical for such applications, but are not intended to constitute any guarantee, warranty or representation regarding any such matter – and Cornell Dubilier specifically and expressly disclaims any guarantee, warranty or representation concerning the suitability for a specific customer application, use, storage, transportation, or operating environment. The Information is intended for use only by customers who have the requisite experience and capability to determine the correct products for their application. Any technical advice inferred from this Information or otherwise provided by Cornell Dubilier with reference to the use of any Cornell Dubilier products is given gratis (unless otherwise specified by Cornell Dubilier), and Cornell Dubilier assumes no obligation or liability for the advice given or results obtained. Although Cornell Dubilier strives to apply the most stringent quality and safety standards regarding the design and manufacturing of its products, in light of the current state of the art, isolated component failures may still occur. Accordingly, customer applications which require a high degree of reliability or safety should employ suitable designs or other safeguards (such as installation of protective circuitry or redundancies or other appropriate protective measures) in order to ensure that the failure of an electrical component does not result in a risk of personal injury or property damage. Although all product-related warnings, cautions and notes must be observed, the customer should not assume that all safety measures are indicated in such warnings, cautions and notes, or that other safety measures may not be required.