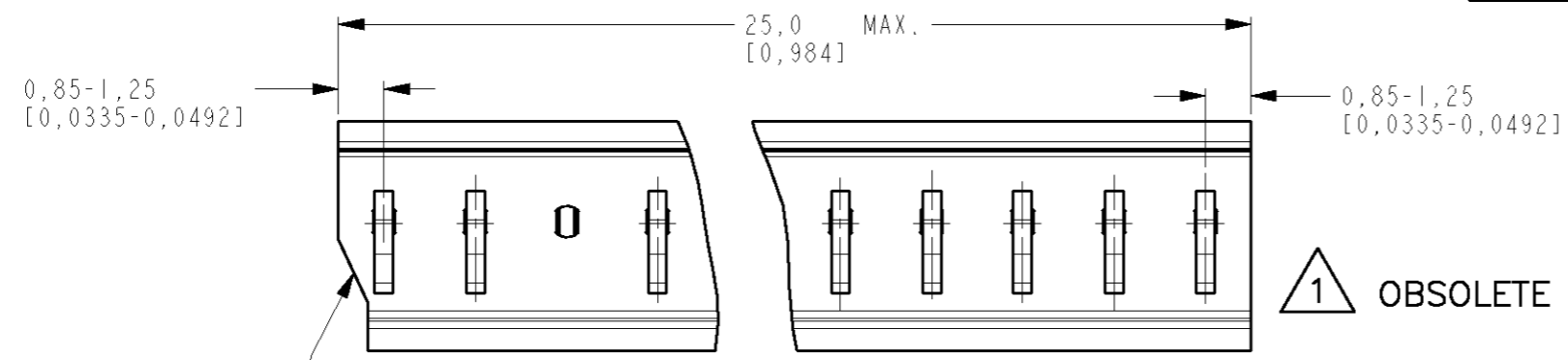
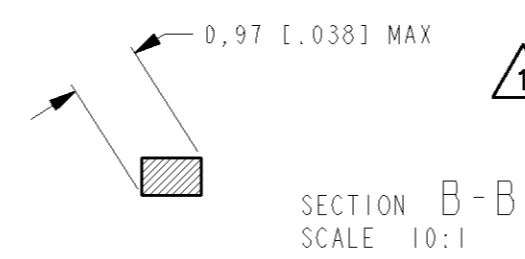
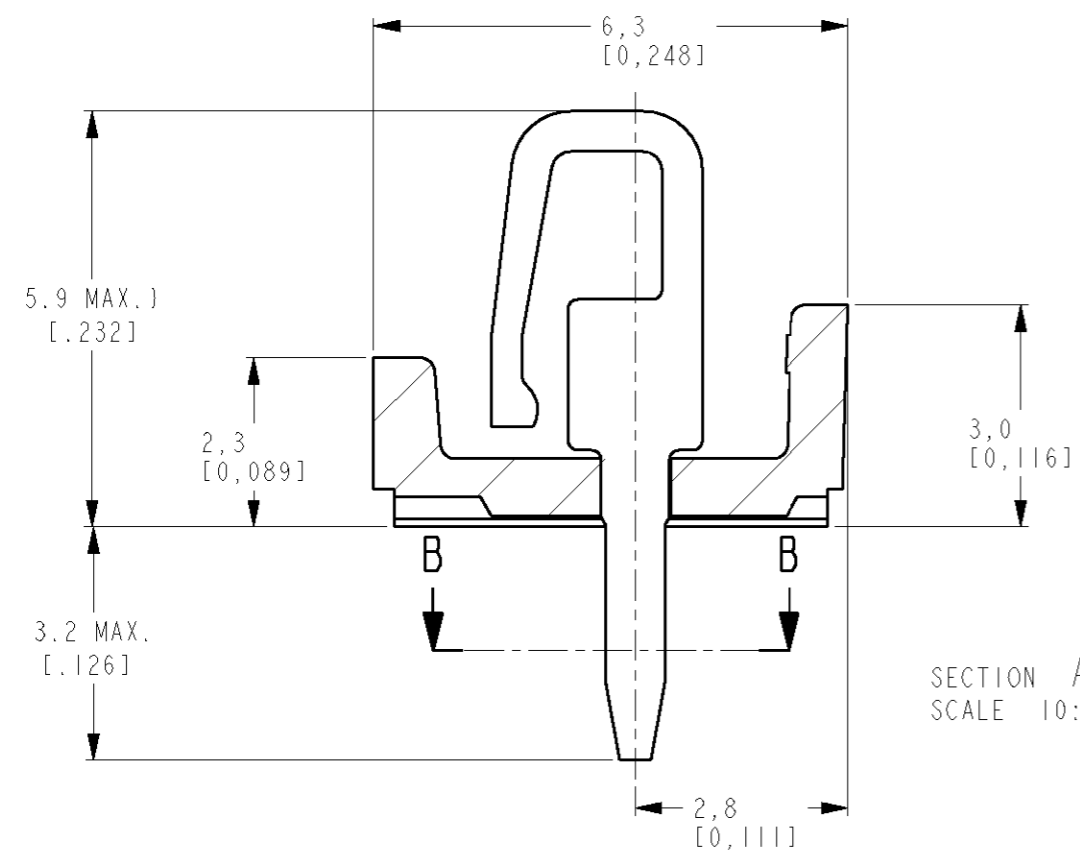
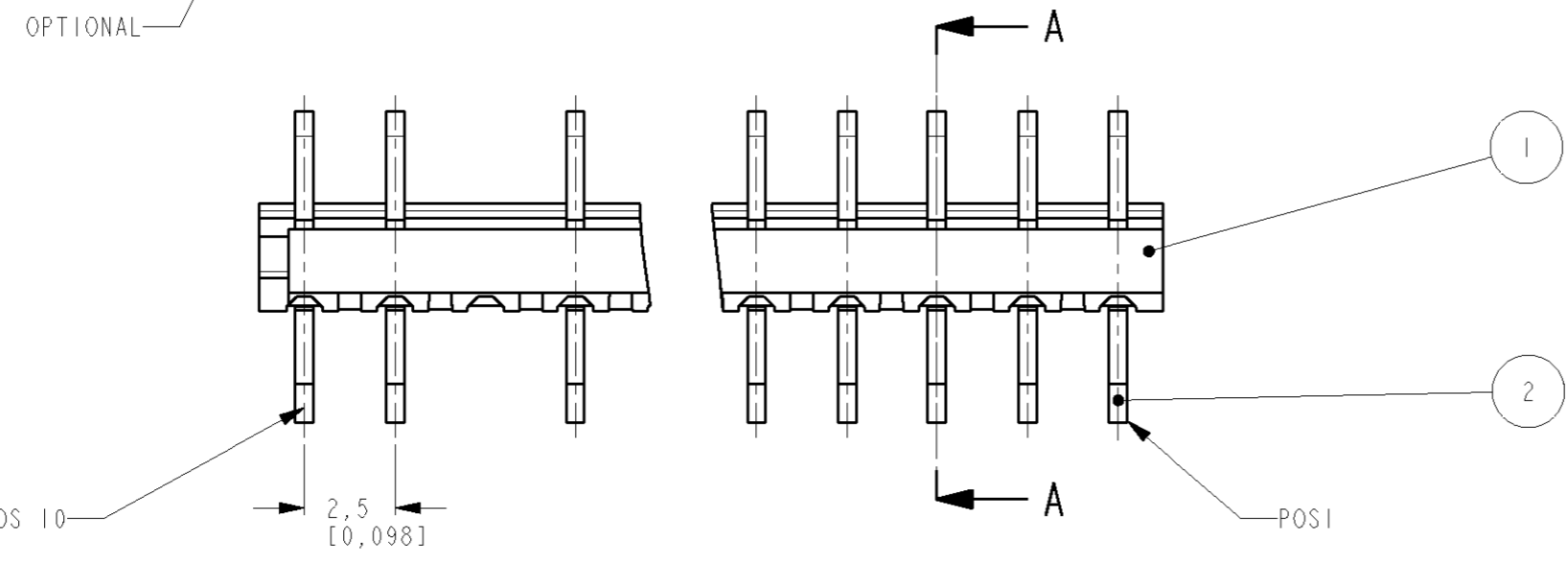


THIS DRAWING IS UNPUBLISHED. RELEASED FOR PUBLICATION  
 © COPYRIGHT - BY TYCO ELECTRONICS CORPORATION. ALL RIGHTS RESERVED.

LOC	DIST	REVISIONS					
H	-	P	LTR	DESCRIPTION	DATE	DWN	APVD
		A		ECN EH10 0344 05	09 MAR 05	MG	MG
		A1		REVISED PER ECO-09-026495	28NOV09	KK	AEG



1 OBSOLETE PARTS: OBSOLETE CIS STREAMLINING PER D.RENAUD/D.SINISI



PARTNUMBER	POSITION: * = LOADED; 0 = UNLOADED									
	1	2	3	4	5	6	7	8	9	10
5161510-1	*	*	*	*	*	0	*	*	*	*
5161510-2	*	*	*	0	*	*	*	*	*	*

1 OBSOLETE

2	CONTACT	BRASS	TIN OVER NICKEL
1	HOUSING	PBT 20% GF, COLOR GREEN	
ITEM NO.	DESCRIPTION	MATERIAL	FINISH
DWN	31 MAR 05	<b>tyco</b> TYCO ELECTRONICS NEDERLAND B.V.	
CHK	M. GOSSELINK	's-HERTOGENBOSCH, THE NETHERLANDS	
APVD	F. IJLJENS	NAME	
PRODUCT SPEC	108-19027	MINI-MATCH CONNECTOR ASS'Y	
APPLICATION SPEC		10 POS 2.5 MM PITCH, RANDOM LOADED	
WEIGHT		SIZE	RESTRICTED TO
		A3 00779	
CUSTOMER DRAWING		DRAWING NO	REV
		C=5161510	A1

THIS DRAWING IS A CONTROLLED DOCUMENT FOR TYCO ELECTRONICS CORPORATION  
 IT IS SUBJECT TO CHANGE AND THE CONTROLLING ENGINEERING ORGANIZATION  
 SHOULD BE CONTACTED FOR THE LATEST REVISION.

DIMENSIONS:	TOLERANCES UNLESS OTHERWISE SPECIFIED:
mm (inch)	
0 PLC	±
1 PLC	±
2 PLC	±
3 PLC	±
4 PLC	±
ANGLES	±
MATERIAL	FINISH
-	-

SECTION A-A  
 SCALE 10:1