

# Plastic Encased SMD Crystal

Model: FPXLF

RoHS Compliant

Page 1 of 2

## FEATURES

- Low Cost
- Stocking Standard
- Plastic Encapsulated
- Tape and Reel (1,000 pcs. STD)

## OPTIONS

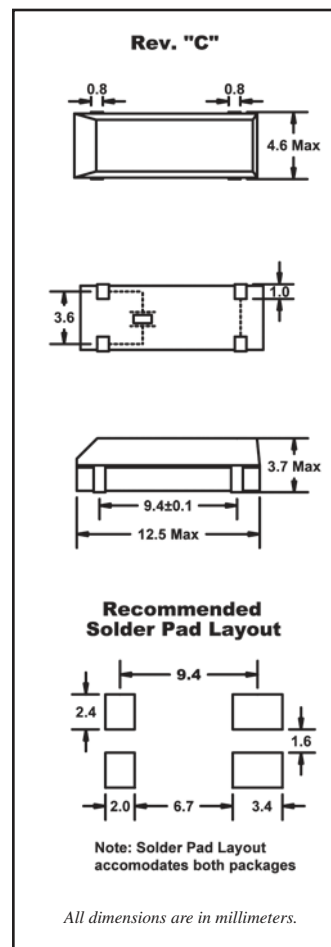
- Tolerances to < 20 PPM
- Stabilities to < 20 PPM
- Temperatures to -40°C ~ +85°C

• PART NUMBER <a href="#">Learn More</a> - Internet Required		
Part Number	Model Number	Frequency Range (MHz)
256LF-Frequency-xxxxx	FPXLF	3.579545 ~ 90.000

• STANDARD SPECIFICATIONS <sup>1</sup>	
PARAMETERS	MAX (unless otherwise noted)
Frequency Range	3.579545 ~ 90.000MHz
Frequency Tolerance @ 25°C	±50 PPM
Frequency Stability, ref @ 25°C Over Operating Temp Range	±50 PPM
Temperature Range	
Operating (TOPR)	-10°C ~ +70°C
Storage (TSTG)	-55°C ~ +125°C
Shunt Capacitance (Co)	7.0 pF
Load Capacitance (CL)	10 pF ~ Series (Customer Specified)
Drive Level	0.1 mW
Aging per year	±5 PPM

<sup>1</sup> Other tolerances, stabilities & operating temperature ranges available. Consult Fox Customer Service for specific requirements and availability of Rev "A".  
All specifications subject to change without notice.

Frequency Range (MHz)	Operating Mode	Max ESR Ω
3.579545 ~ 4.000	Fundamental	200
4.000+ ~ 5.000	Fundamental	150
5.000+ ~ 6.000	Fundamental	120
6.000+ ~ 7.000	Fundamental	100
7.000+ ~ 9.000	Fundamental	80
9.000+ ~ 13.000	Fundamental	60
13.000+ ~ 20.000	Fundamental	40
20.000+ ~ 30.000	Fundamental	30
30.000+ ~ 90.000	3rd OT	100



# Plastic Encased SMD Crystal



Model: FPXLF

RoHS Compliant

Page 2 of 2

## • FOX STANDARD SPECIFICATIONS

PARAMETER	FPXLF
Frequency Tolerance @ 25°C	±50PPM
Frequency Stability	±100PPM
Operating Temperature Range	-20°C ~ +70°C

## • FPXLF Standard Crystals

Frequency	CL	FPXLF Part Number	ESR $\Omega$ Max
3.579545	18pF	FPXLF036S	200
3.686400	SERIES	FPXLF0368S	200
3.686400	20pF	FPXLF0368-20	200
4.000000	20pF	FPXLF040	150
4.915200	20pF	FPXLF049-20	150
7.372800	20pF	FPXLF073-20	80
8.000000	SERIES	FPXLF080	80
8.000000	20pF	FPXLF080-20	80
10.000000	20pF	FPXLF100-20	60
11.059200	20pF	FPXLF115-20	60
12.000000	20pF	FPXLF120-20	60
14.318180	20pF	FPXLF143-20	40
16.000000	SERIES	FPXLF160	40
16.000000	20pF	FPXLF160-20	40
20.000000	20pF	FPXLF200-20	30
25.000000	20pF	FPXLF250F-20	30

## • TAPE SPECIFICATIONS (millimeters)

MODEL	A	B	C	D	E	F	STD Reel QTY
FPXLF	Ø1.5	4.0	12.0	11.5	24.0	5.5	1,000

## • REEL SPECIFICATIONS (millimeters)

MODEL	G	H	I	J	K	L	M
FPXLF	2.0	Ø13	Ø21	Ø100	Ø250	25.5	2.0

