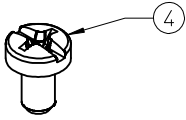
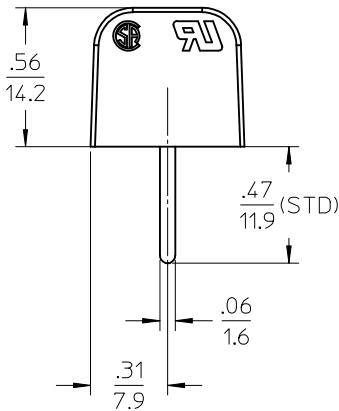
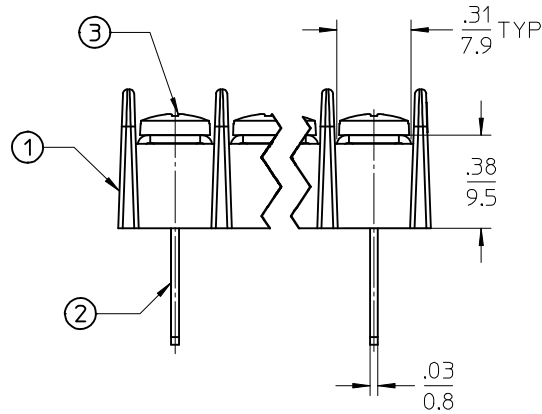
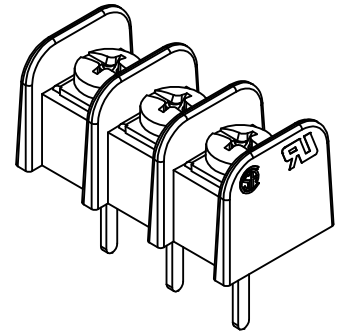
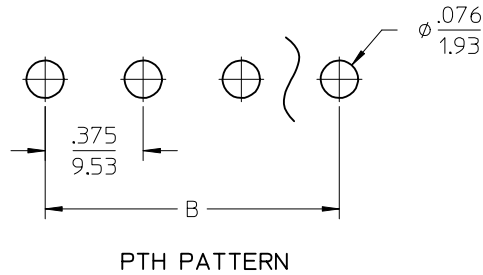
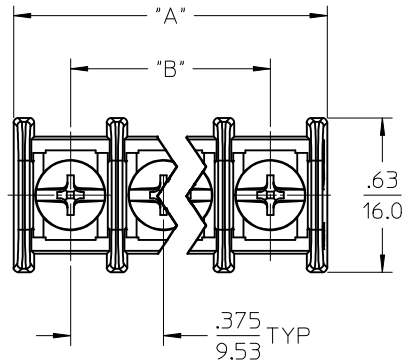
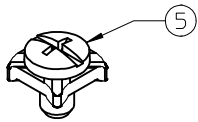


10 9 8 7 6 5 4 3 2 1

REF. -49 OPT. SCREW
(WHERE APPLICABLE)



REF. -50 OPT. SCREW
(WHERE APPLICABLE)



PART NUMBER LEGEND

71-7-XX-XX-X

SERIES

TERMINAL STYLE

CIRCUIT QTY (2 TO 26)

OPTION (-49 BRASS,PHIL/SLOT SCREW)
(-50 CLAMP WASHER,PHIL/SLOT SCREW)
(-C NO MOUNTING ENDS)

TERMINAL LENGTH

-55=.54

-75=.75

-81=.81

NOTES.

1. MATERIAL: SEE TABLE
2. FINISHES: SEE TABLE
3. PRODUCT SPECIFICATION: PS-38710-001
4. 'XX' REFERS TO NUMBER OF CIRCUITS.
5. ASSEMBLY IS RoHS COMPLIANT.

| ITEM | QTY | DESCRIPTION | MATERIAL | FINISH |
|------|-----|--|-----------------|--------|
| 5 | XX | #6-32 PH/SLOTTED SCREW W/WSHR (OPTION -50) | STEEL | ZINC |
| 4 | XX | #6-32 PH/SLOTTED SCREW (OPTION -49) | BRASS | NICKEL |
| 3 | XX | #6-32 PH/SLOTTED SCREW (STANDARD) | STEEL | ZINC |
| 2 | XX | TERMINAL, WW SN-KT | BRASS | TIN |
| 1 | 1 | INSULATOR | POLYESTER (PBT) | BLACK |

RELEASED
EC NO: IFC2016-0008
DRAWN: SVMURTHY 2015/06/30
CHKD: RSTONE 2015/06/30
APPR: JFMURPHY 2016/07/11

QUALITY SYMBOLS
▽/0
▽/0
▽/0

GENERAL TOLERANCES (UNLESS SPECIFIED)

| | mm | INCH |
|----------|--------|---------|
| 4 PLACES | ± .005 | ± .0005 |
| 3 PLACES | ± .005 | ± .0005 |
| 2 PLACES | ± 0.13 | ± .01 |
| 1 PLACE | ± 0.3 | ± .0125 |
| 0 PLACE | ± .005 | ± .0005 |

ANGULAR ± 2 °
DRAFT WHERE APPLICABLE MUST REMAIN WITHIN DIMENSIONS

QUALITY SYMBOLS

| DIMENSION STYLE INCH ONLY | |
|---------------------------|------------|
| DRAWN BY | DATE |
| SVMURTHY | 2015/06/30 |
| CHECKED BY | |
| RSTONE | 2015/06/30 |
| APPROVED BY | |
| JFMURPHY | 2016/07/11 |

MATERIAL NO. SEE SHEET 2

| SCALE | DESIGN UNITS | THIRD ANGLE PROJECTION |
|-------|--------------|------------------------|
| 2:1 | INCH | THIRD ANGLE PROJECTION |

TITLE: 9.53MM [.375"] SR BTS WIRE WRAP NO MTG

molex

DOCUMENT NO. SD-38710-0306

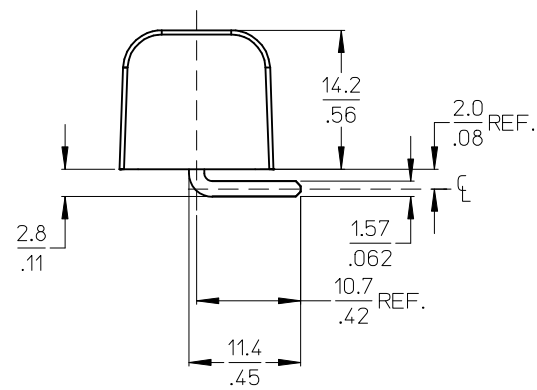
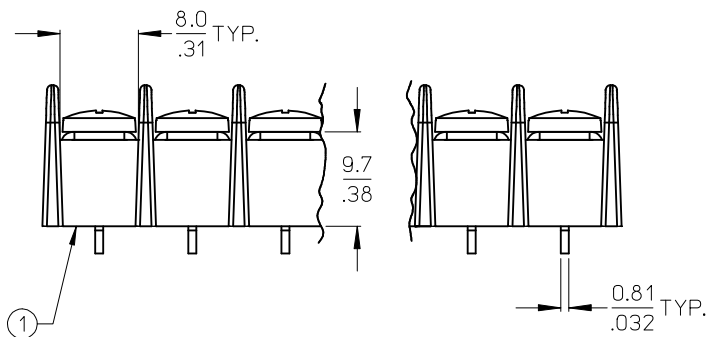
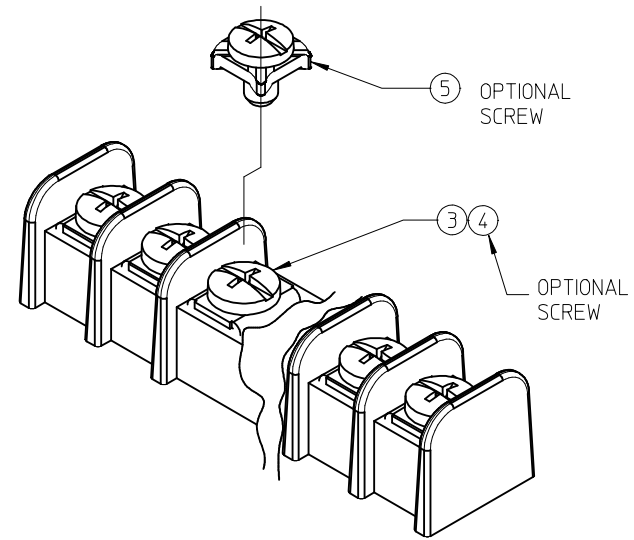
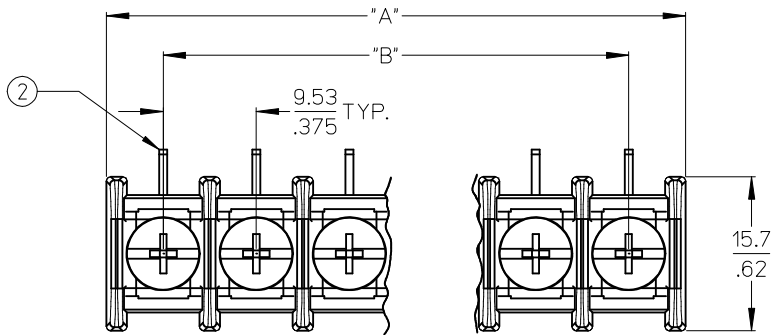
SHEET NO. 1 OF 2

THIS DRAWING CONTAINS INFORMATION THAT IS PROPRIETARY TO MOLEX INCORPORATED AND SHOULD NOT BE USED WITHOUT WRITTEN PERMISSION

9 8 7 6 5 4 3 2 1

| # OF CIRCUITS "XX" | DIM. "A" | | DIM. "B" | |
|--------------------------|----------|-----|----------|--------|
| | in | mm | in | mm |
| 02 | .83 | 21 | .375 | 9.53 |
| 03 | 1.21 | 31 | .750 | 19.05 |
| 04 | 1.58 | 40 | 1.125 | 28.58 |
| 05 | 1.96 | 50 | 1.500 | 38.10 |
| 06 | 2.33 | 59 | 1.875 | 47.63 |
| 07 | 2.71 | 69 | 2.250 | 57.15 |
| 08 | 3.08 | 78 | 2.625 | 66.68 |
| 09 | 3.46 | 88 | 3.000 | 76.20 |
| 10 | 3.83 | 97 | 3.375 | 85.73 |
| 11 | 4.21 | 107 | 3.750 | 95.25 |
| 12 | 4.58 | 116 | 4.125 | 104.78 |
| 13 | 4.96 | 126 | 4.500 | 114.30 |
| 14 | 5.33 | 135 | 4.875 | 123.83 |
| 15 | 5.71 | 145 | 5.250 | 133.35 |
| 16 | 6.08 | 154 | 5.625 | 142.88 |
| 17 | 6.46 | 164 | 6.000 | 152.40 |
| 18 | 6.83 | 173 | 6.375 | 161.93 |
| 19 | 7.21 | 183 | 6.750 | 171.45 |
| 20 | 7.58 | 193 | 7.125 | 180.98 |
| 21 | 7.96 | 202 | 7.500 | 190.50 |
| 22 | 8.33 | 212 | 7.875 | 200.03 |
| 23 | 8.71 | 221 | 8.250 | 209.55 |
| 24 | 9.08 | 231 | 8.625 | 219.08 |
| 25 | 9.46 | 240 | 9.000 | 228.60 |
| 26 | 9.83 | 250 | 9.375 | 238.13 |

| | | | | | | | |
|---|----------------------|--|---|---|---------------------|--|------------------------|
| RELEASED EC NO: IPG2016-0008 DRAWN: SVMURTHY 2015/06/30 CHKD: RSTONE 2015/06/30 APPR: JFMURPHY 2016/07/11 | DESCRIPTION REV A | QUALITY SYMBOLS | GENERAL TOLERANCES (UNLESS SPECIFIED) | DIMENSION STYLE INCH ONLY | SCALE 2:1 | DESIGN UNITS INCH | THIRD ANGLE PROJECTION |
| | | $\nabla F/0$ $\nabla F/0$ $\nabla F/0$ | mm INCH 4 PLACES ± --- ± --- 3 PLACES ± --- ± .005 2 PLACES ± 0.13 ± .01 1 PLACE ± 0.3 ± --- 0 PLACE ± --- ± --- | DRAWN BY DATE SVMURTHY 2015/06/30 CHECKED BY DATE RSTONE 2015/06/30 APPROVED BY DATE JFMURPHY 2016/07/11 | TITLE | 9.53MM [.375"] SR BTS WIRE WRAP NO MTG | |
| | | ANGULAR ± 2 ° | MATERIAL NO. | DOCUMENT NO. | SHEET NO. 2 OF 2 | | |
| | | DRAFT WHERE APPLICABLE MUST REMAIN WITHIN DIMENSIONS | SIZE B | THIS DRAWING CONTAINS INFORMATION THAT IS PROPRIETARY TO MOLEX INCORPORATED AND SHOULD NOT BE USED WITHOUT WRITTEN PERMISSION | | | |



NOTES:

1. MATERIAL: SEE TABLE.
2. FINISHES: SEE TABLE.
3. PRODUCT SPECIFICATION: NOT REQUIRED.
4. "XX" REFERS TO NUMBER OF CIRCUITS.
5. ROHS COMPLIANT.

| | | | | |
|------|-----|--|-----------------|--------------------|
| 5 | XX | #6-32 PH/SLOTTED SCREW W/WSHR (OPTION -50) | STEEL | ZN, CLEAR CHROMATE |
| 4 | XX | #6-32 PH/SLOTTED SCREW (OPTION -49) | BRASS | NICKEL PLATE |
| 3 | XX | #6-32 PH/SLOTTED SCREW (STANDARD) | STEEL | ZN, CLEAR CHROMATE |
| 2 | XX | TERMINAL, WW SN-KT | BRASS | TIN PLATE |
| 1 | 1 | INSULATOR | POLYESTER (PBT) | BLACK |
| ITEM | QTY | DESCRIPTION | MATERIAL | FINISH |

RELEASED
 EC NO: WINA2009-0832
 2009/07/13
 DRWN: ENC JMS
 2009/07/17
 CHKD: CYORK
 2009/07/17
 APPR: JMACNE IL
 2009/07/17

QUALITY SYMBOLS
 ▼=0
 ▽=0

GENERAL TOLERANCES (UNLESS SPECIFIED)

| | | |
|----------|--------|--------|
| | mm | INCH |
| 4 PLACES | ± --- | ± --- |
| 3 PLACES | ± --- | ± .005 |
| 2 PLACES | ± 0.13 | ± .01 |
| 1 PLACE | ± 0.3 | ± --- |

ANGULAR ± 2 °

DRAFT WHERE APPLICABLE
 MUST REMAIN
 WITHIN DIMENSIONS

DIMENSION STYLE
MM/IN

DRAWN BY
 EHILE

DATE
 2006/05/15

CHECKED BY
 RDEROSS

DATE
 2006/05/15

APPROVED BY
 RDEROSS

DATE
 2006/05/15

MATERIAL NO.

SEE CHART

SCALE
2:1

DESIGN UNITS
 INCH

THIRD ANGLE PROJECTION

9.53MM [.375] SR BTS
 RA ASSY, NO MTG

MOLEX INCORPORATED

DOCUMENT NO.
SD-38711-005

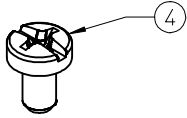
SHEET NO.
 1 OF 2

THIS DRAWING CONTAINS INFORMATION THAT IS PROPRIETARY TO MOLEX INCORPORATED AND SHOULD NOT BE USED WITHOUT WRITTEN PERMISSION

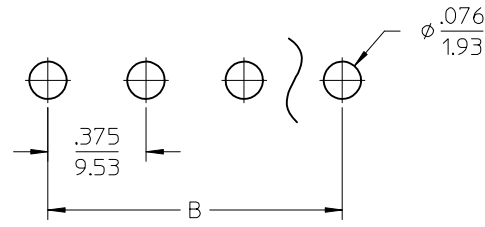
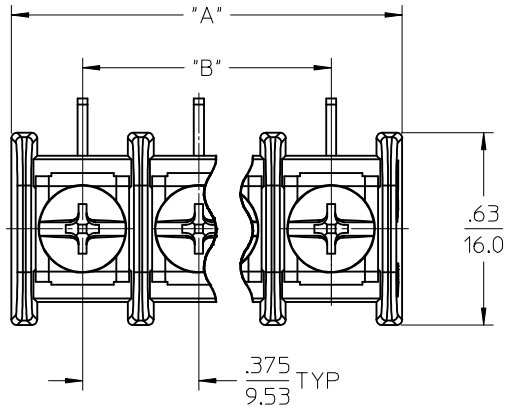
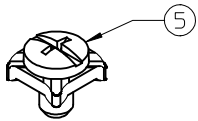
| NUMBER OF CIRCUITS "XX" | DIM. "A" | | DIM. "B" | | MATERIAL NO. (OPTION -C) | MATERIAL NO. (OPTION -C-49) | MATERIAL NO. (OPTION -C-50) | MATERIAL NO. (INSULATOR) |
|-------------------------|----------|--------|----------|---------|--------------------------|-----------------------------|-----------------------------|--------------------------|
| 02 | 21.1 | [.83] | 9.53 | [.375] | 387115302 | 387115602 | 387115902 | 387180035 |
| 03 | 30.7 | [1.21] | 19.05 | [.750] | 387115303 | 387115603 | 387115903 | 387180036 |
| 04 | 40.1 | [1.58] | 28.58 | [1.125] | 387115304 | 387115604 | 387115904 | 387180037 |
| 05 | 49.8 | [1.96] | 38.10 | [1.500] | 387115305 | 387115605 | 387115905 | 387180038 |
| 06 | 59.2 | [2.33] | 47.63 | [1.875] | 387115306 | 387115606 | 387115906 | 387180039 |
| 07 | 68.8 | [2.71] | 57.15 | [2.250] | 387115307 | 387115607 | 387115907 | 387180040 |
| 08 | 78.3 | [3.08] | 66.68 | [2.625] | 387115308 | 387115608 | 387115908 | 387180041 |
| 09 | 87.8 | [3.46] | 76.20 | [3.000] | 387115309 | 387115609 | 387115909 | 387180042 |
| 10 | 97.3 | [3.83] | 85.73 | [3.375] | 387115310 | 387115610 | 387115910 | 387180043 |
| 11 | 106.9 | [4.21] | 95.25 | [3.750] | 387115311 | 387115611 | 387115911 | 387180044 |
| 12 | 116.3 | [4.58] | 104.78 | [4.125] | 387115312 | 387115612 | 387115912 | 387180045 |
| 13 | 126.0 | [4.96] | 114.30 | [4.500] | 387115313 | 387115613 | 387115913 | 387180046 |
| 14 | 135.3 | [5.33] | 123.83 | [4.875] | 387115314 | 387115614 | 387115914 | 387180047 |
| 15 | 145.0 | [5.71] | 133.35 | [5.250] | 387115315 | 387115615 | 387115915 | 387180048 |
| 16 | 154.4 | [6.08] | 142.88 | [5.625] | 387115316 | 387115616 | 387115916 | 387180049 |
| 17 | 164.1 | [6.46] | 152.40 | [6.000] | 387115317 | 387115617 | 387115917 | 387180050 |
| 18 | 173.5 | [6.83] | 161.93 | [6.375] | 387115318 | 387115618 | 387115918 | 387180051 |
| 19 | 183.1 | [7.21] | 171.45 | [6.750] | 387115319 | 387115619 | 387115919 | 387180052 |
| 20 | 192.5 | [7.58] | 180.98 | [7.125] | 387115320 | 387115620 | 387115920 | 387180053 |
| 21 | 202.2 | [7.96] | 190.50 | [7.500] | 387115321 | 387115621 | 387115921 | 387180054 |
| 22 | 211.6 | [8.33] | 200.03 | [7.875] | 387115322 | 387115622 | 387115922 | 387180055 |
| 23 | 221.2 | [8.71] | 209.55 | [8.250] | 387115323 | 387115623 | 387115923 | 387180056 |
| 24 | 230.6 | [9.08] | 219.08 | [8.625] | 387115324 | 387115624 | 387115924 | 387180057 |
| 25 | 240.3 | [9.46] | 228.60 | [9.000] | 387115325 | 387115625 | 387115925 | 387180058 |
| 26 | 249.6 | [9.83] | 238.13 | [9.375] | 387115326 | 387115626 | 387115926 | 387180059 |

| | | | | | | |
|---|--------------------|--|--|--|--|--|
| SEE SHEET ONE EC NO: WNA2009-0832 DRAWN: ENC JMS 2009/07/13 CHKD: C YORK 2009/07/17 APPR: JMACNE IL 2009/07/17 A | DESCRIPTION REV | QUALITY SYMBOLS ▽=0 ▽=0 | GENERAL TOLERANCES (UNLESS SPECIFIED) mm INCH 4 PLACES ± --- ± --- 3 PLACES ± --- ± .005 2 PLACES ± 0.13 ± .01 1 PLACE ± 0.3 ± --- ANGULAR ± 2 ° | DIMENSION STYLE MM/IN DRAWN BY DATE EHILE 2006/05/15 CHECKED BY DATE RDEROSS 2006/05/15 APPROVED BY DATE RDEROSS 2006/05/15 | SCALE 2:1 DESIGN UNITS INCH THIRD ANGLE PROJECTION | TITLE 9.53MM [.375] SR BTS RA ASSY, NO MTG |
| | | DRAFT WHERE APPLICABLE MUST REMAIN WITHIN DIMENSIONS | MATERIAL NO. SEE CHART | MOLEX INCORPORATED DOCUMENT NO. SD-38711-005 | | |
| | | SIZE B | THIS DRAWING CONTAINS INFORMATION THAT IS PROPRIETARY TO MOLEX INCORPORATED AND SHOULD NOT BE USED WITHOUT WRITTEN PERMISSION | | | |
| | | SHEET NO. 2 OF 2 | | | | |

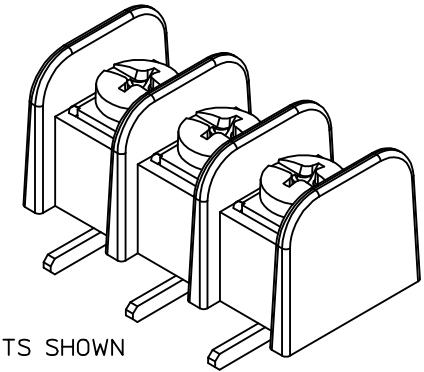
REF. -49 OPT. SCREW
(WHERE APPLICABLE)



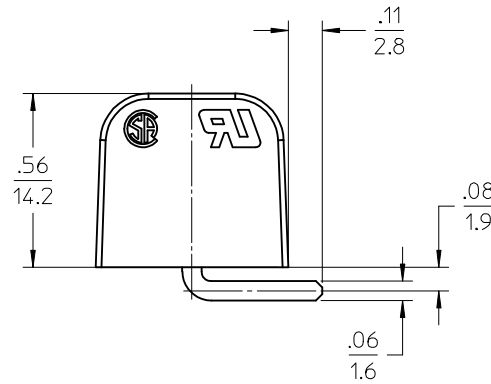
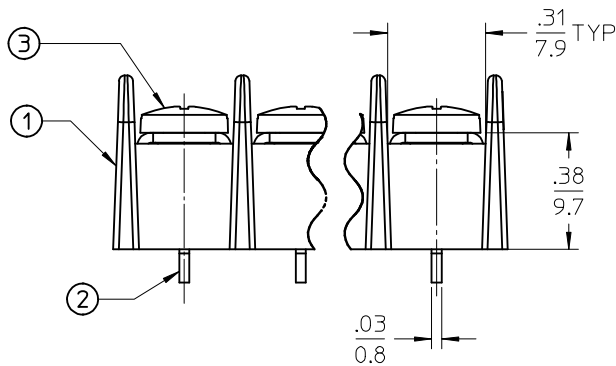
REF. -50 OPT. SCREW
(WHERE APPLICABLE)



PTH PATTERN



3 CIRCUITS SHOWN
AS REFERENCE



PART NUMBER LEGEND

71-8-XX-XX

SERIES

TERMINAL STYLE

CIRCUIT QTY (2 TO 26)

OPTION (-49 BRASS,PHIL/SLOT SCREW)

(-50 CLAMP WASHER,PHIL/SLOT SCREW)

(-C NO MOUNTING ENDS)

NOTES:

1. MATERIAL: SEE TABLE.
2. FINISHES: SEE TABLE.
3. PRODUCT SPECIFICATION: PS-38710-001
4. "XX" REFERS TO NUMBER OF CIRCUITS.
5. ASSEMBLY IS RoHS COMPLIANT.

| ITEM | QTY | DESCRIPTION | MATERIAL | FINISH |
|------|-----|--|-----------------|--------|
| 5 | XX | #6-32 PH/SLOTTED SCREW W/WSHR (OPTION -50) | STEEL | ZINC |
| 4 | XX | #6-32 PH/SLOTTED SCREW (OPTION -49) | BRASS | NICKEL |
| 3 | XX | #6-32 PH/SLOTTED SCREW (STANDARD) | STEEL | ZINC |
| 2 | XX | TERMINAL, WW SN-KT | BRASS | TIN |
| 1 | 1 | INSULATOR | POLYESTER (PBT) | BLACK |

| | | |
|----------|---------------------|------------|
| RELEASED | EC NO: IFC2016-0008 | 2015/06/30 |
| | DRWN: SVMURTHY | 2015/06/30 |
| | CHKD: RSTONE | 2015/06/30 |
| | APPR: JFMURPHY | 2016/07/11 |

| QUALITY SYMBOLS |
|-----------------|
| ▽/0 |
| ▽/0 |
| ▽/0 |

| GENERAL TOLERANCES (UNLESS SPECIFIED) | |
|--|--------|
| mm | INCH |
| 4 PLACES ± --- | ± --- |
| 3 PLACES ± --- | ± .005 |
| 2 PLACES ± 0.13 | ± .01 |
| 1 PLACE ± 0.3 | ± --- |
| 0 PLACE ± --- | ± --- |
| ANGULAR ± 2° | |
| DRAFT WHERE APPLICABLE MUST REMAIN WITHIN DIMENSIONS | |

| DIMENSION STYLE | |
|-----------------|------------|
| IN/MM | |
| DRAWN BY | DATE |
| SVMURTHY | 2015/06/30 |
| CHECKED BY | DATE |
| RSTONE | 2015/06/30 |
| APPROVED BY | DATE |
| JFMURPHY | 2016/07/11 |
| MATERIAL NO. | |
| SEE SHEET 2 | |
| SIZE | B |

| | | | | |
|---------------------------------------|-----|--------------|---------------|------------------------|
| SCALE | 2:1 | DESIGN UNITS | INCH | THIRD ANGLE PROJECTION |
| TITLE | | | | |
| 9.53MM [.375"] SR BTS RA ASSY, NO MTG | | | | |
| molex | | | | |
| DOCUMENT NO. | | | SD-38711-5302 | SHEET NO. |
| | | | | 1 OF 2 |

10 9 8 7 6 5 4 3 2 1

| # OF CIRCUITS "XX" | DIM. "A" | | DIM. "B" | |
|--------------------|----------|------|----------|--------|
| | in | mm | in | mm |
| 02 | .83 | 21.1 | .375 | 9.53 |
| 03 | 1.21 | 30.7 | .750 | 19.05 |
| 04 | 1.58 | 40.1 | 1.125 | 28.58 |
| 05 | 1.96 | 49.8 | 1.500 | 38.10 |
| 06 | 2.33 | 59.2 | 1.875 | 47.63 |
| 07 | 2.71 | 68.8 | 2.250 | 57.15 |
| 08 | 3.08 | 78.2 | 2.625 | 66.68 |
| 09 | 3.46 | 87.9 | 3.000 | 76.20 |
| 10 | 3.83 | 97.3 | 3.375 | 85.73 |
| 11 | 4.21 | 107 | 3.750 | 95.25 |
| 12 | 4.58 | 116 | 4.125 | 104.78 |
| 13 | 4.96 | 126 | 4.500 | 114.30 |
| 14 | 5.33 | 135 | 4.875 | 123.83 |
| 15 | 5.71 | 145 | 5.250 | 133.35 |
| 16 | 6.08 | 154 | 5.625 | 142.88 |
| 17 | 6.46 | 164 | 6.000 | 152.40 |
| 18 | 6.83 | 173 | 6.375 | 161.93 |
| 19 | 7.21 | 183 | 6.750 | 171.45 |
| 20 | 7.58 | 193 | 7.125 | 180.98 |
| 21 | 7.96 | 202 | 7.500 | 190.50 |
| 22 | 8.33 | 212 | 7.875 | 200.03 |
| 23 | 8.71 | 221 | 8.250 | 209.55 |
| 24 | 9.08 | 231 | 8.625 | 219.08 |
| 25 | 9.46 | 240 | 9.000 | 228.60 |
| 26 | 9.83 | 250 | 9.375 | 238.13 |

| | | | | | | | | |
|--|----------------------|--|---|---|--------------|--------------|---|--|
| RELEASED EC NO: IFC2016-0008 DRWN: SVMURTHY 2015/06/30 CHKD: RSTONE 2015/06/30 APPR: JFMURPHY 2016/07/11 | DESCRIPTION REV A | QUALITY SYMBOLS | GENERAL TOLERANCES (UNLESS SPECIFIED) | DIMENSION STYLE | SCALE | DESIGN UNITS | THIRD ANGLE PROJECTION | |
| | | $\nabla F/0$ $\nabla E/0$ $\nabla D/0$ | mm INCH 4 PLACES ± --- ± --- 3 PLACES ± --- ± .005 2 PLACES ± 0.13 ± .01 1 PLACE ± 0.3 ± --- 0 PLACE ± --- ± --- | IN/MM | 2:1 | INCH | TITLE 9.53MM [.375"] SR BTS RA ASSY, NO MTG | |
| | | | ANGULAR ± 2 ° DRAFT WHERE APPLICABLE MUST REMAIN WITHIN DIMENSIONS | DRAWN BY DATE SVMURTHY 2015/06/30 CHECKED BY DATE RSTONE 2015/06/30 APPROVED BY DATE JFMURPHY 2016/07/11 | | | | |
| | | | | | MATERIAL NO. | DOCUMENT NO. | SHEET NO. | |
| | | | 387112302 | SD-38711-5302 | 2 OF 2 | | | |
| THIS DRAWING CONTAINS INFORMATION THAT IS PROPRIETARY TO MOLEX INCORPORATED AND SHOULD NOT BE USED WITHOUT WRITTEN PERMISSION | | | | | | | | |

9 8 7 6 5 4 3 2 1