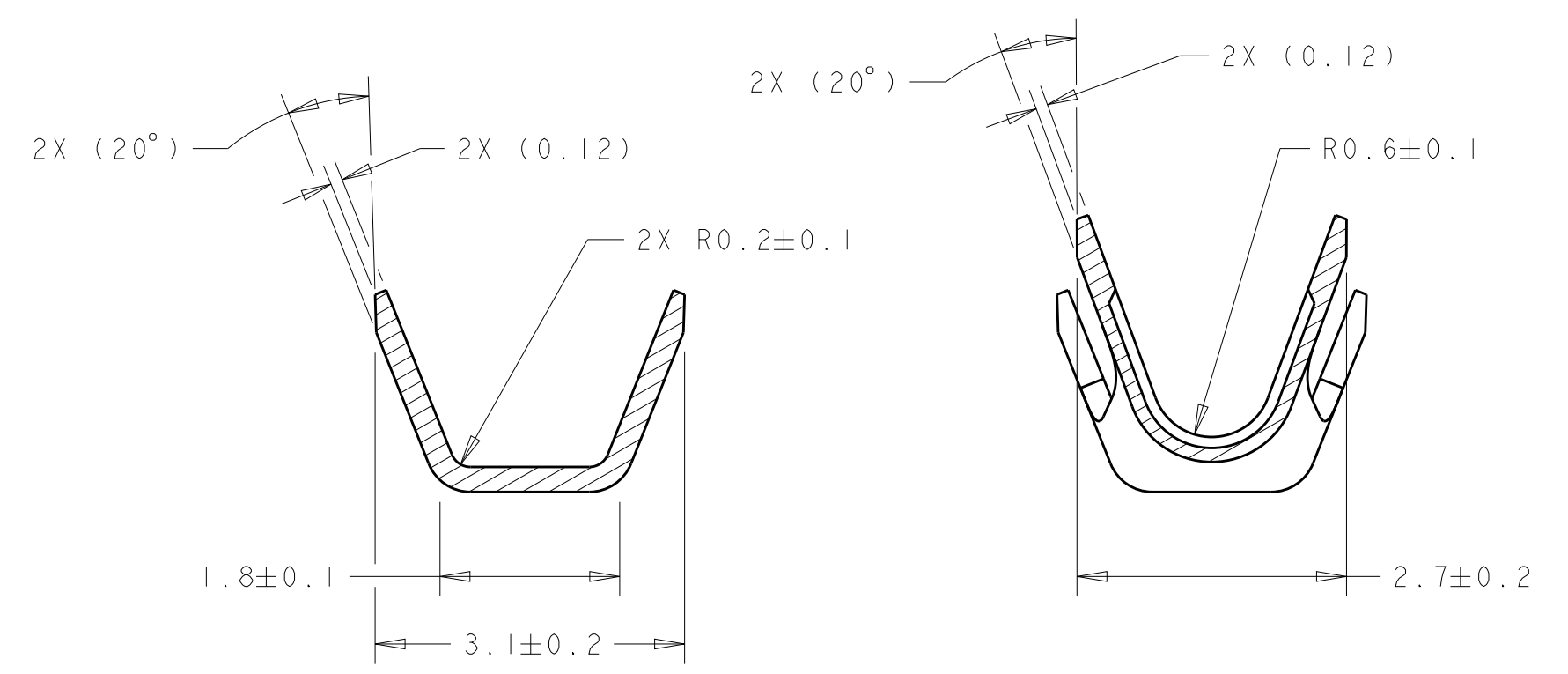
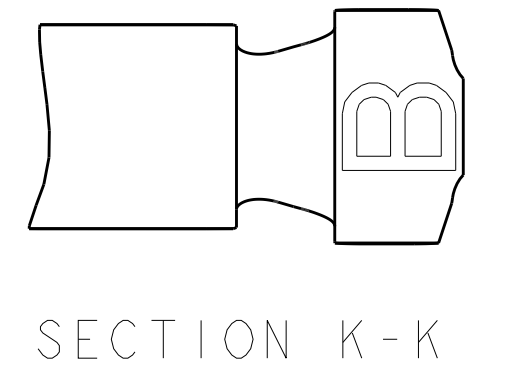


REVISIONS				
P.	LTN	DESCRIPTION	DATE	OWN APVD
F1		REVISED PER ECO-11-005030	11MAR2011	RK HMR
F2		REVISED PER ECO-15-010152	09JUL2015	DLD WTW
F3		REVISED PER ECO-15-017989	16DEC2015	DLD WTW

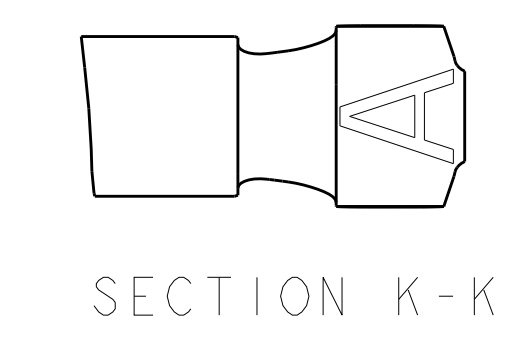


SECTION J-J SECTION H-H

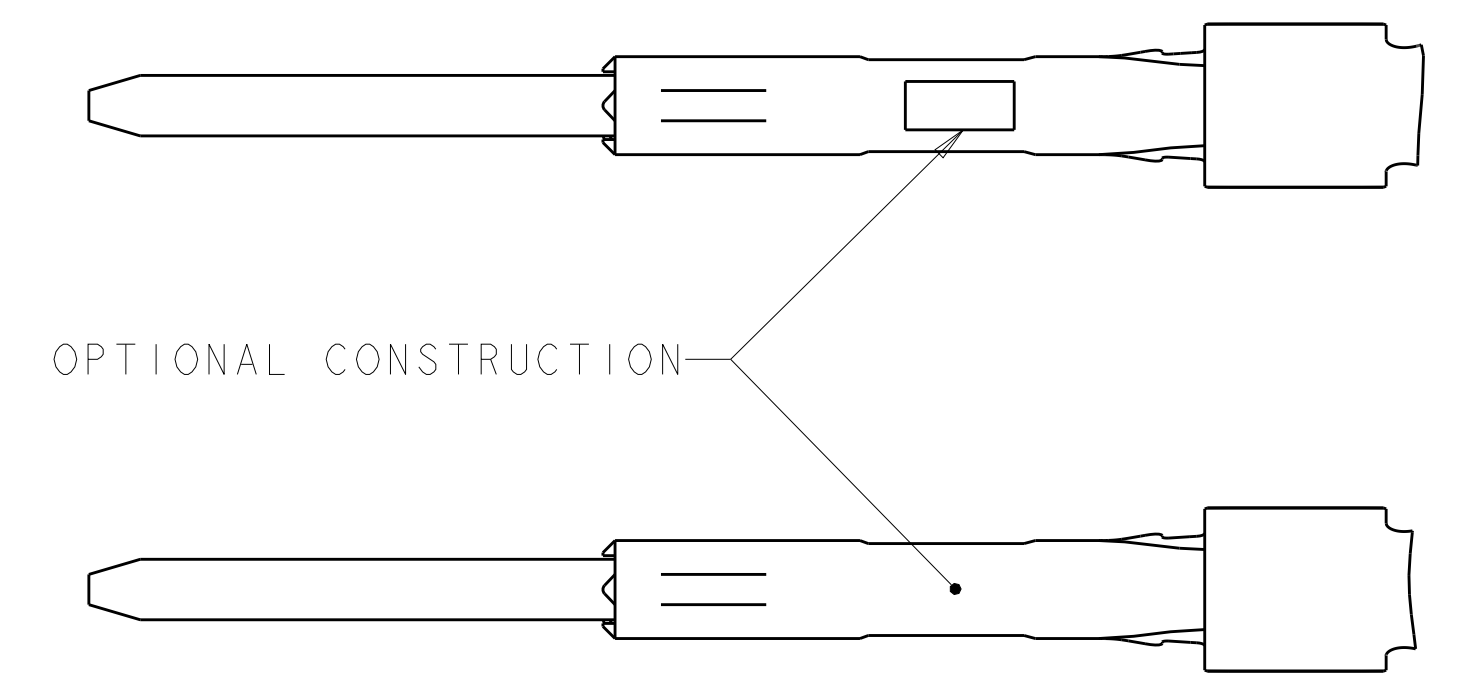
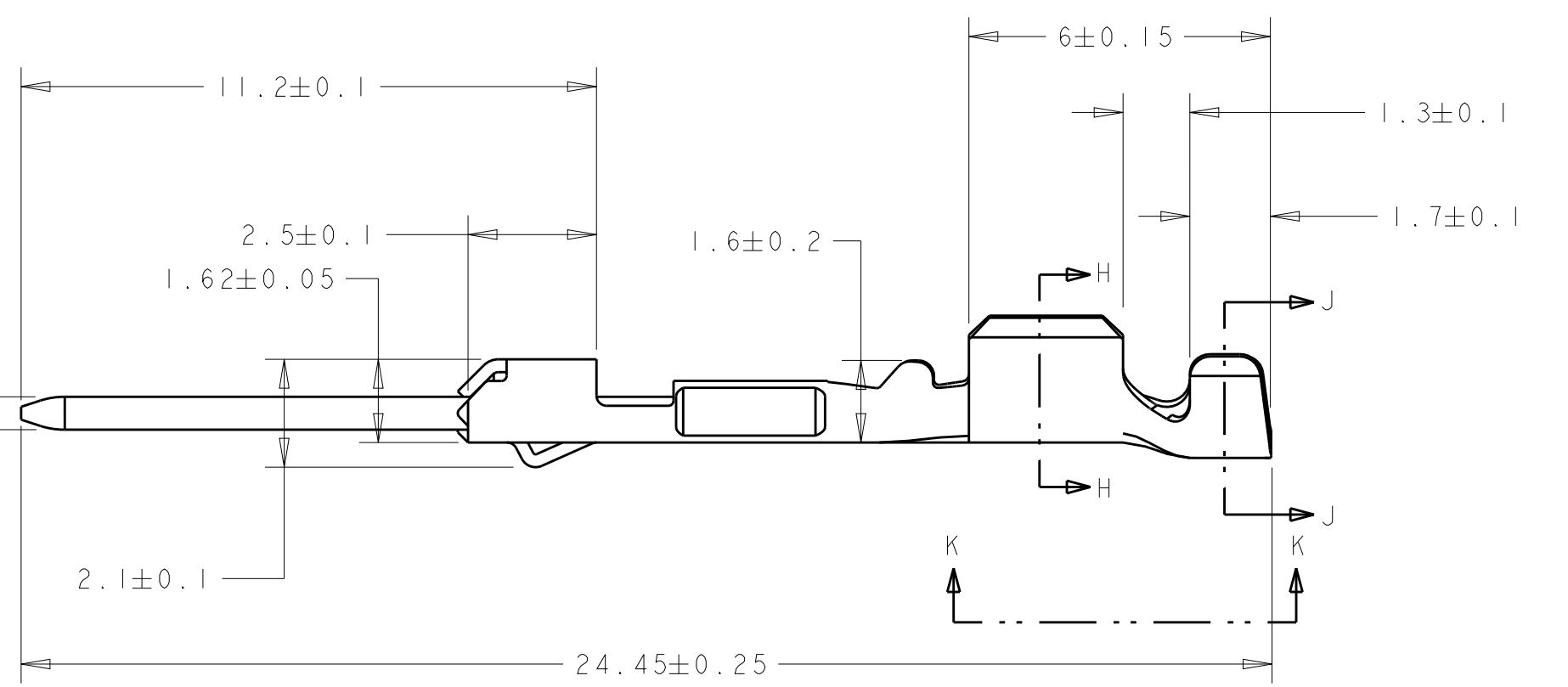
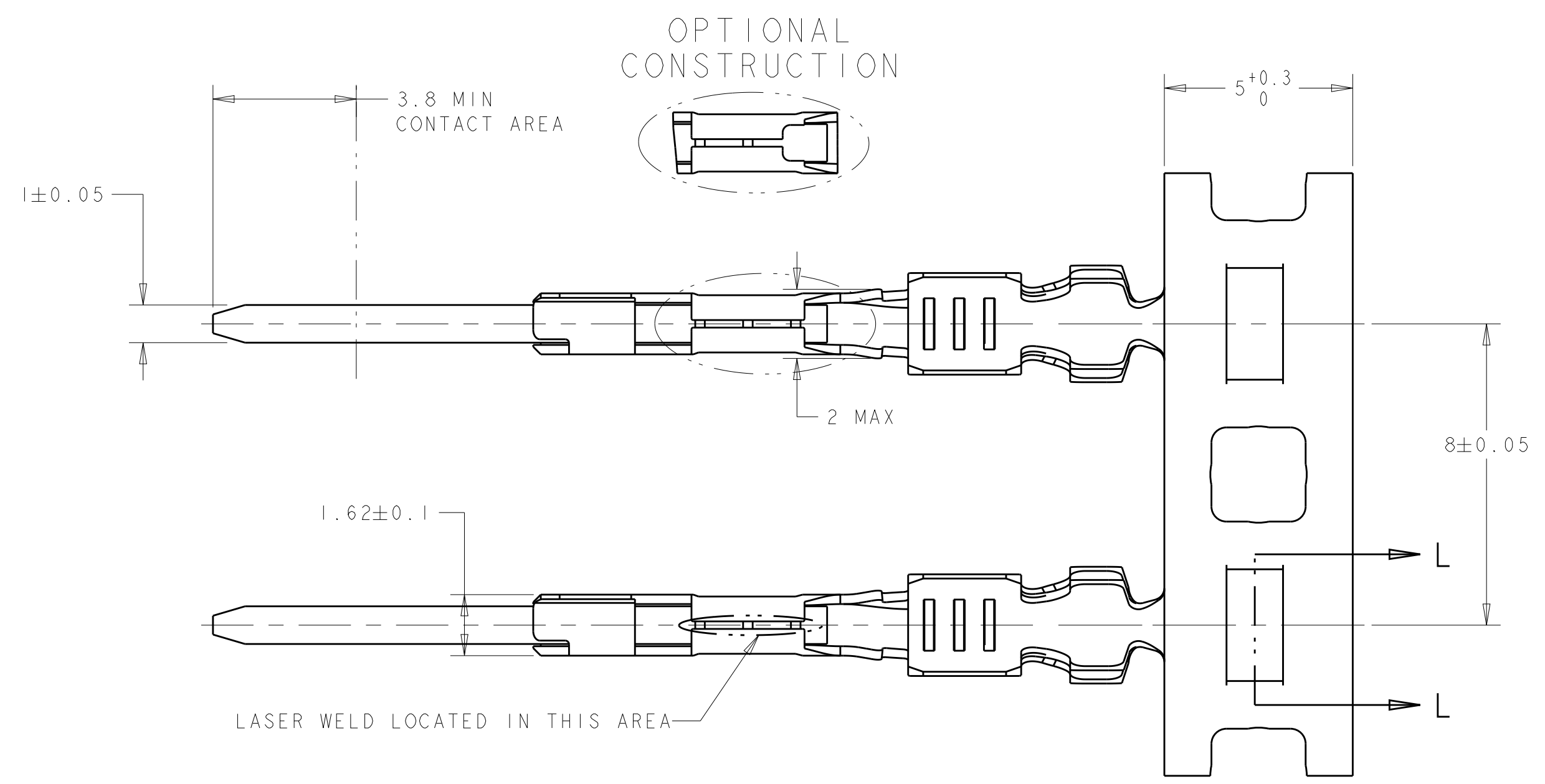
CRIMP B  
WIRE CRIMP AREAS



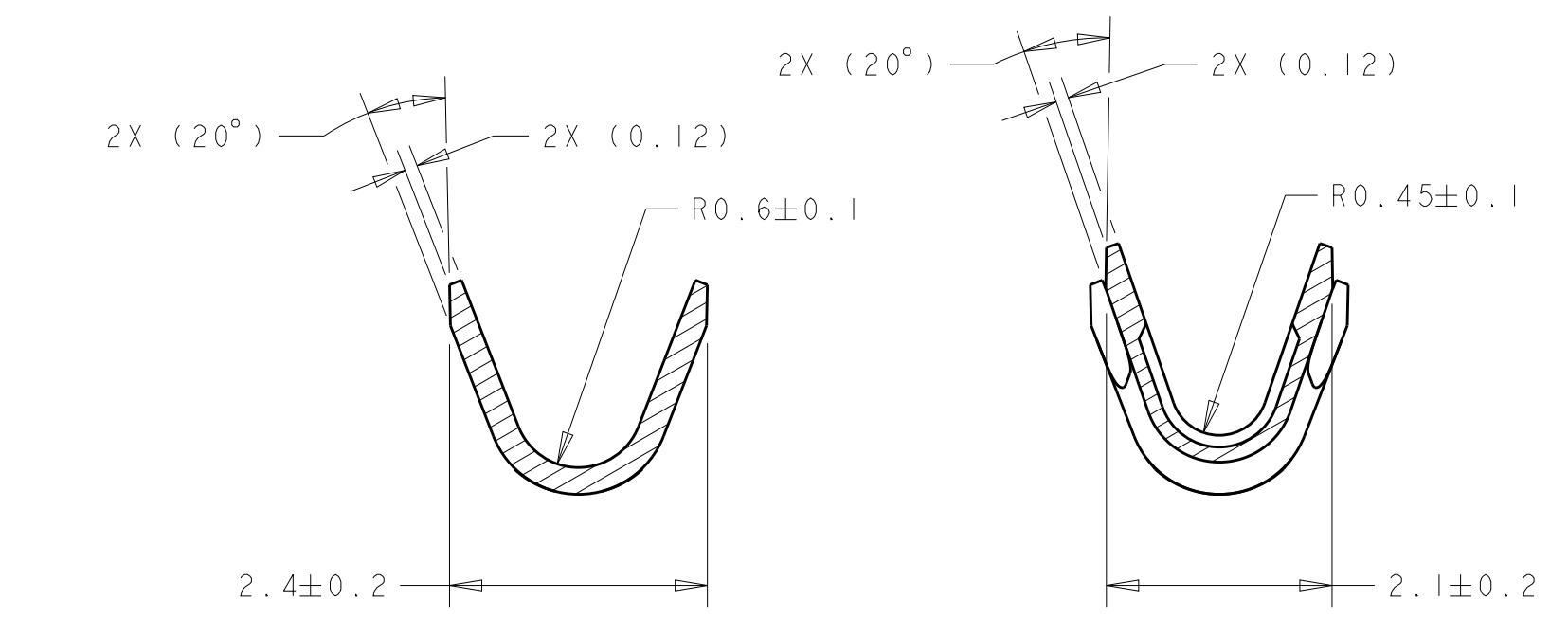
SECTION K-K



SECTION K-K

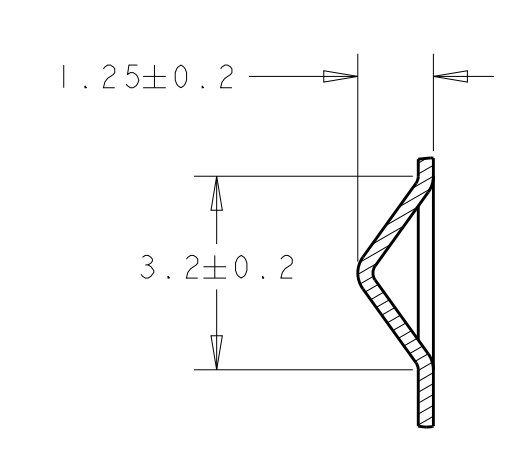


OPTIONAL CONSTRUCTION

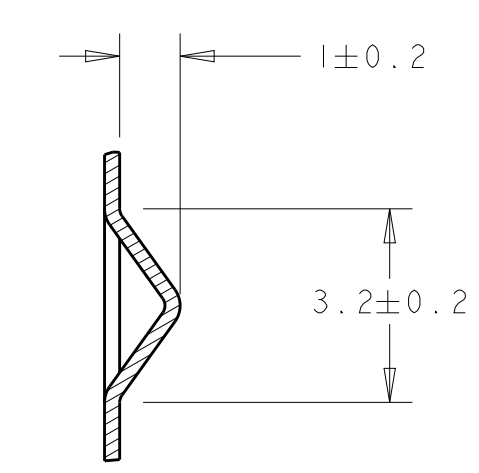


SECTION J-J SECTION H-H

CRIMP A  
WIRE CRIMP AREAS

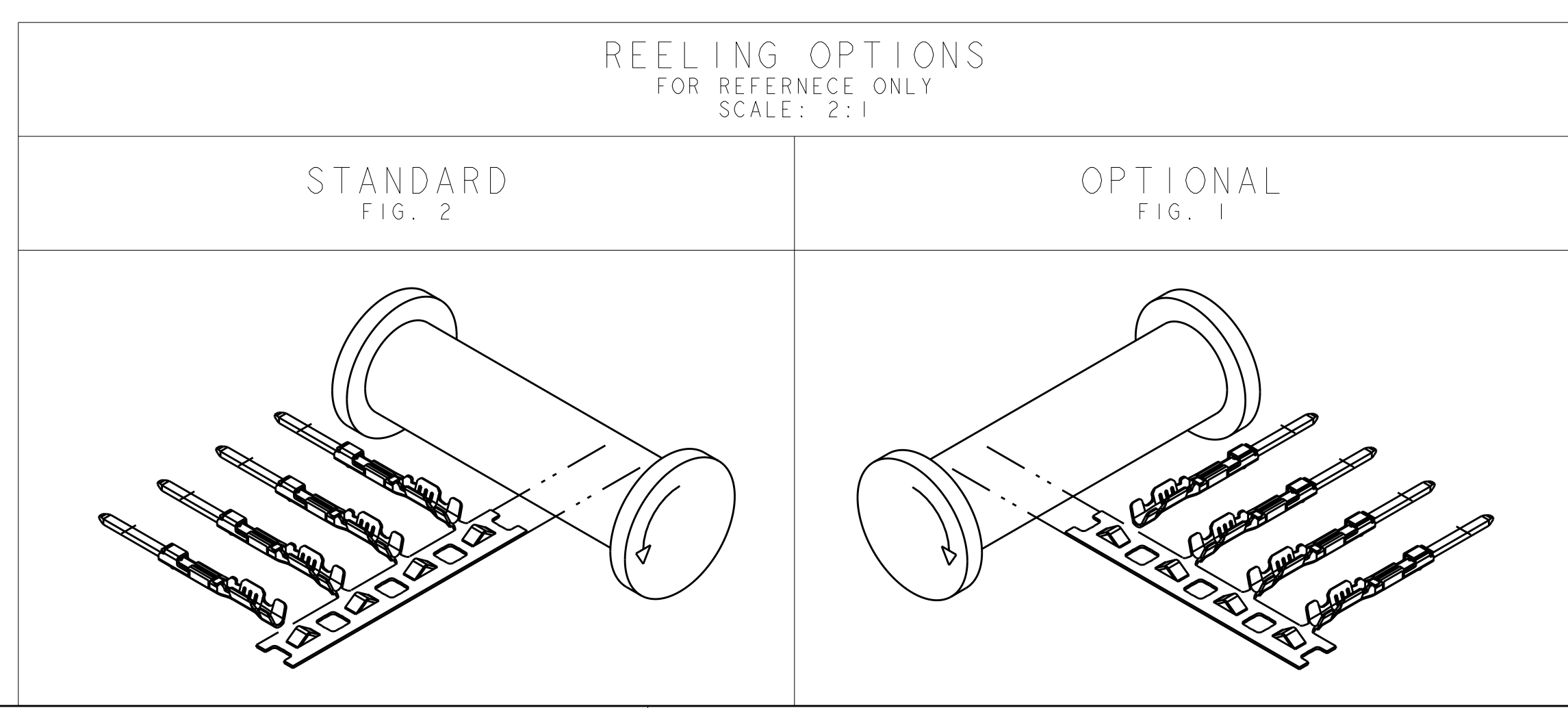


SECTION L-L  
TIN VERSIONS



SECTION L-L  
GOLD AND SILVER VERSIONS

PART NO	WIRE CRIMP CODING	CONDUCTOR WIRE SIZE	REELING	PLATING SPEC.
1-1438299-1	B	0.50/0.75	FIG. 1	SILVER
1-1438299-0	A	0.22/0.35	FIG. 1	SILVER
1438299-8	B	0.50/0.75	FIG. 2	SILVER
1438299-7	A	0.22/0.35	FIG. 2	SILVER
1438299-4	B	0.50/0.75	FIG. 1	TIN
1438299-3	B	0.50/0.75	FIG. 1	GOLD
1438299-2	A	0.22/0.35	FIG. 1	TIN
1438299-1	A	0.22/0.35	FIG. 1	GOLD
2-1419158-5	B	0.50/0.75	FIG. 2	TIN
2-1419158-3	B	0.50/0.75	FIG. 2	GOLD
1-1419158-6	A	0.22/0.35	FIG. 2	TIN
3-1419158-1	A	0.22/0.35	FIG. 2	GOLD



REELING OPTIONS  
FOR REFERENCE ONLY  
SCALE: 2:1

STANDARD  
FIG. 2

OPTIONAL  
FIG. 1

THIS DRAWING IS A CONTROLLED DOCUMENT.		OWN: DL DRUMMOND 22JAN2004	3-1419158-1	
DIMENSIONS: mm		CHK: WT WELLINSKY 23JAN2004	PART NUMBER	
TOLERANCES UNLESS OTHERWISE SPECIFIED:		APVD: WT WELLINSKY 23JAN2004	TE Connectivity	
0 PLC ±		PRODUCT SPEC	0.64mm GET MALE IN-LINE TERMINAL	
1 PLC ±		APPLICATION SPEC	SIZE: A100779	
2 PLC ±		SEE NOTES	CAGE CODE: 3-1419158-1	
3 PLC ±		WEIGHT	RESTRICTED TO	
4 PLC ±		CUSTOMER DRAWING	SCALE: 8:1 SHEET 1 OF 1 REV: F3	