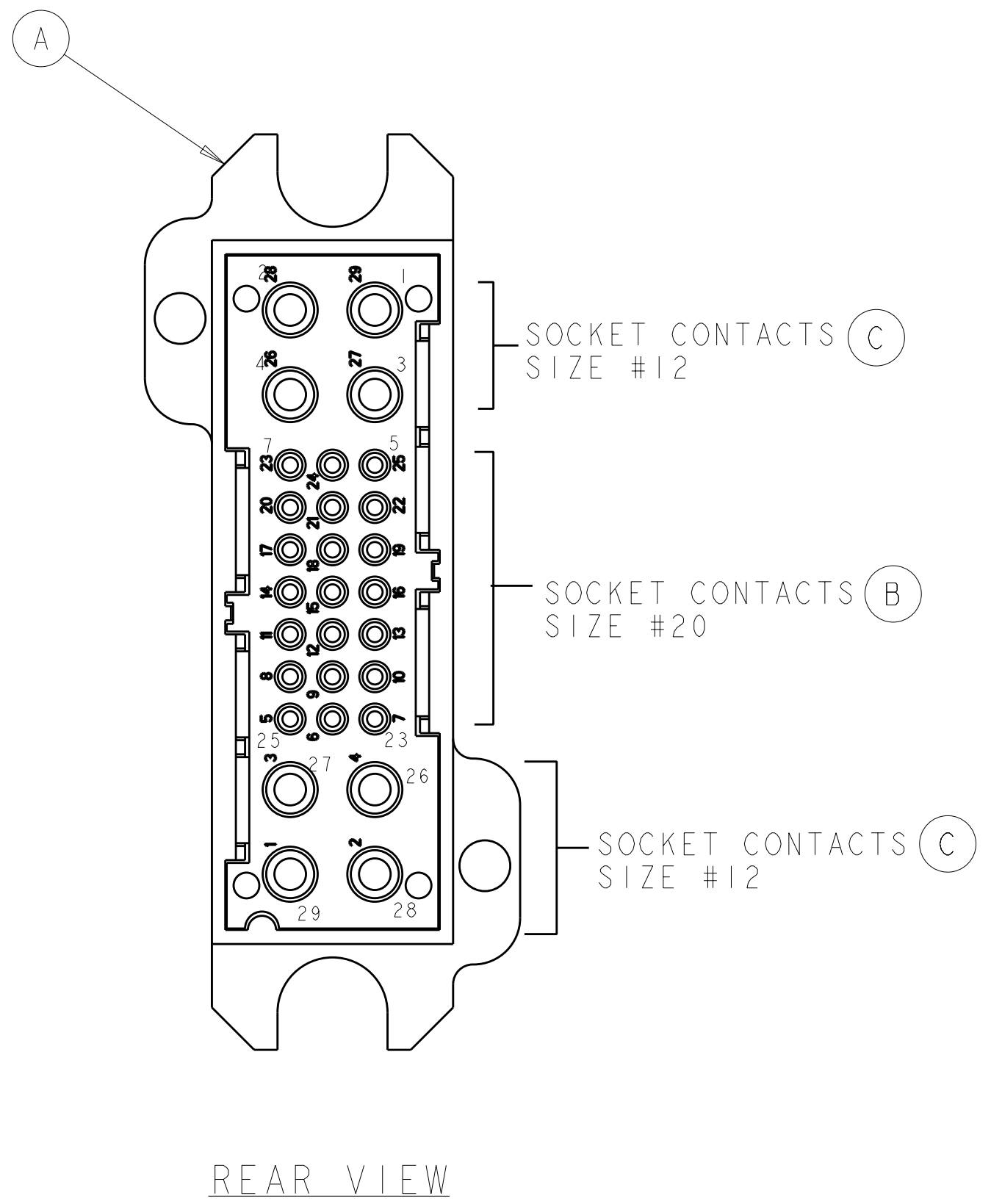
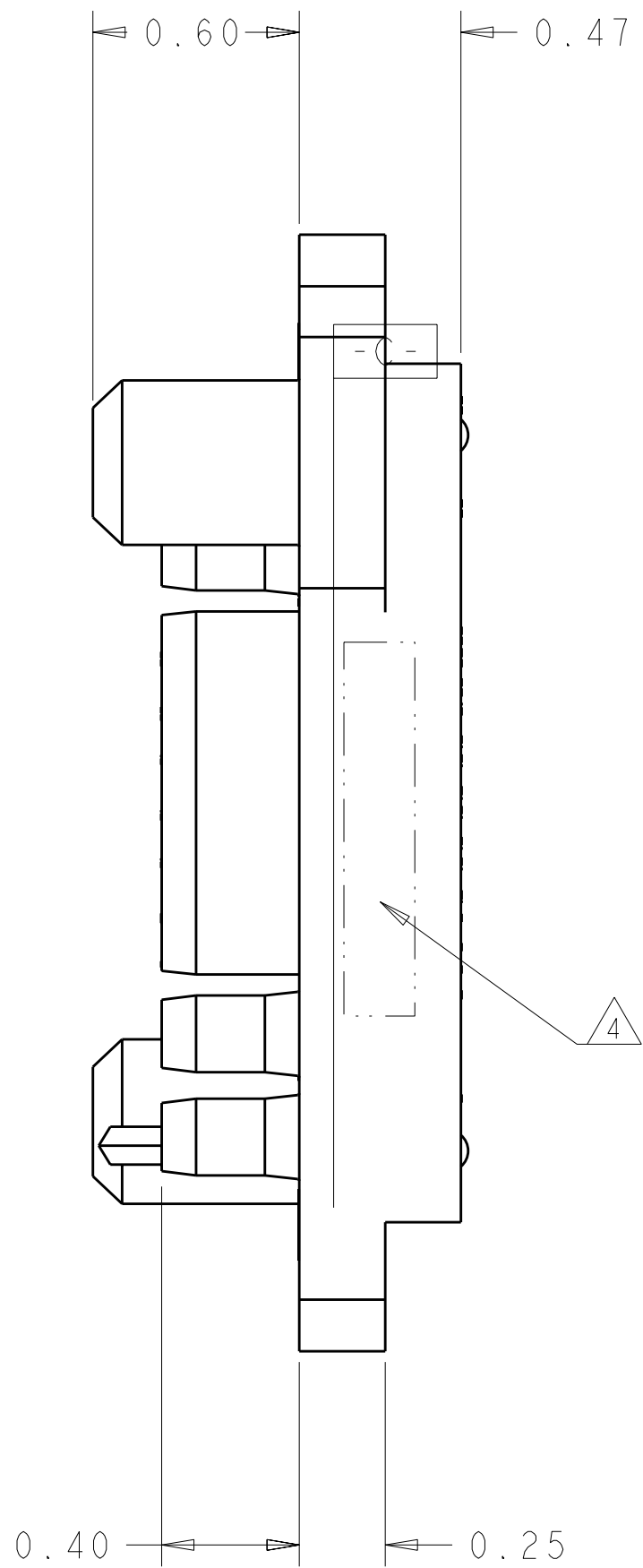
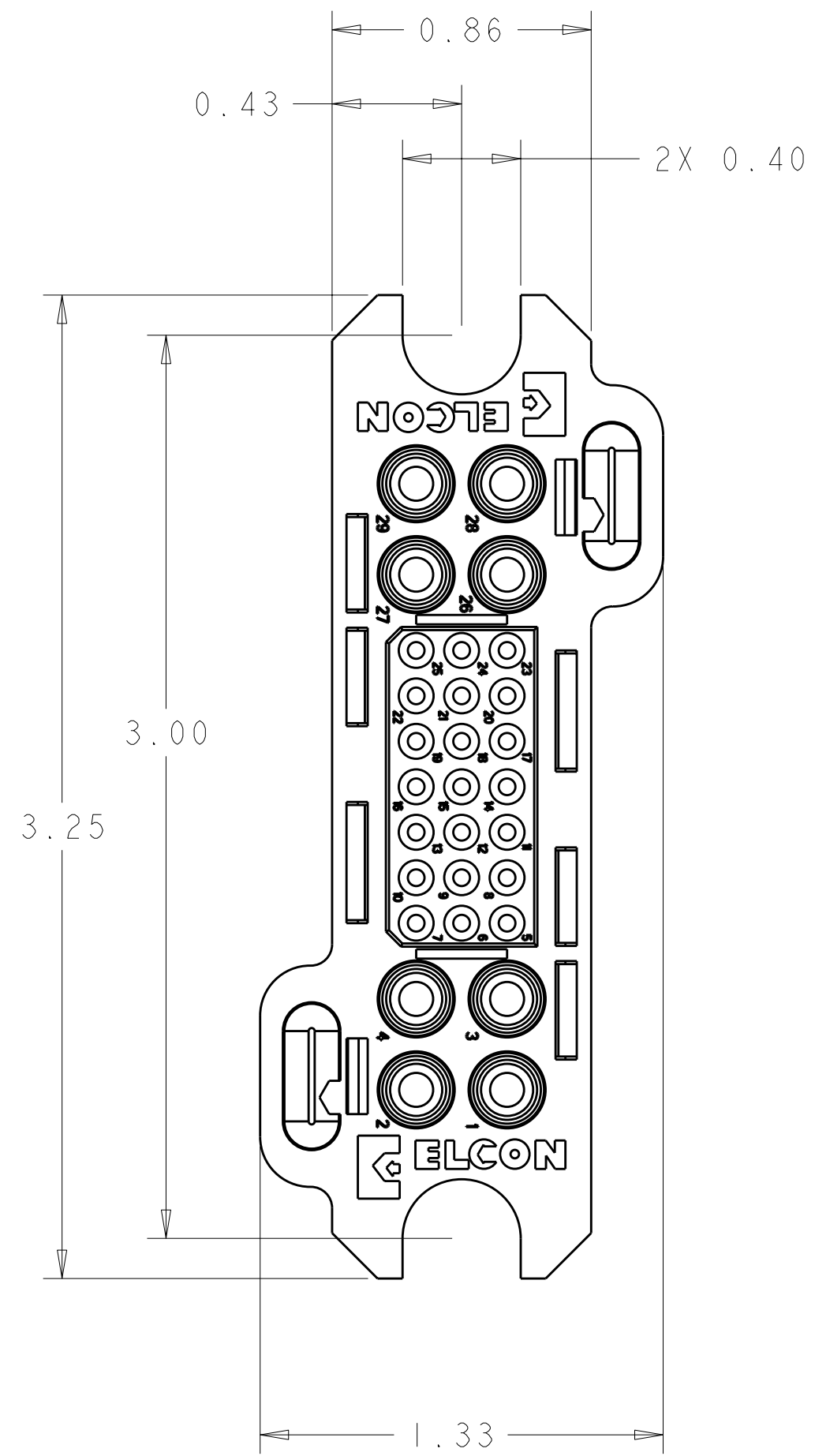


THIS DRAWING IS UNPUBLISHED. RELEASED FOR PUBLICATION 20
 © COPYRIGHT 20 BY TYCO ELECTRONICS CORPORATION. ALL RIGHTS RESERVED.

LOC		DIST		REVISIONS			
P	LTR	DESCRIPTION	DATE	DWN	APVD		
GP	00	A	RELEASED	16OCT2008	RG	DO	

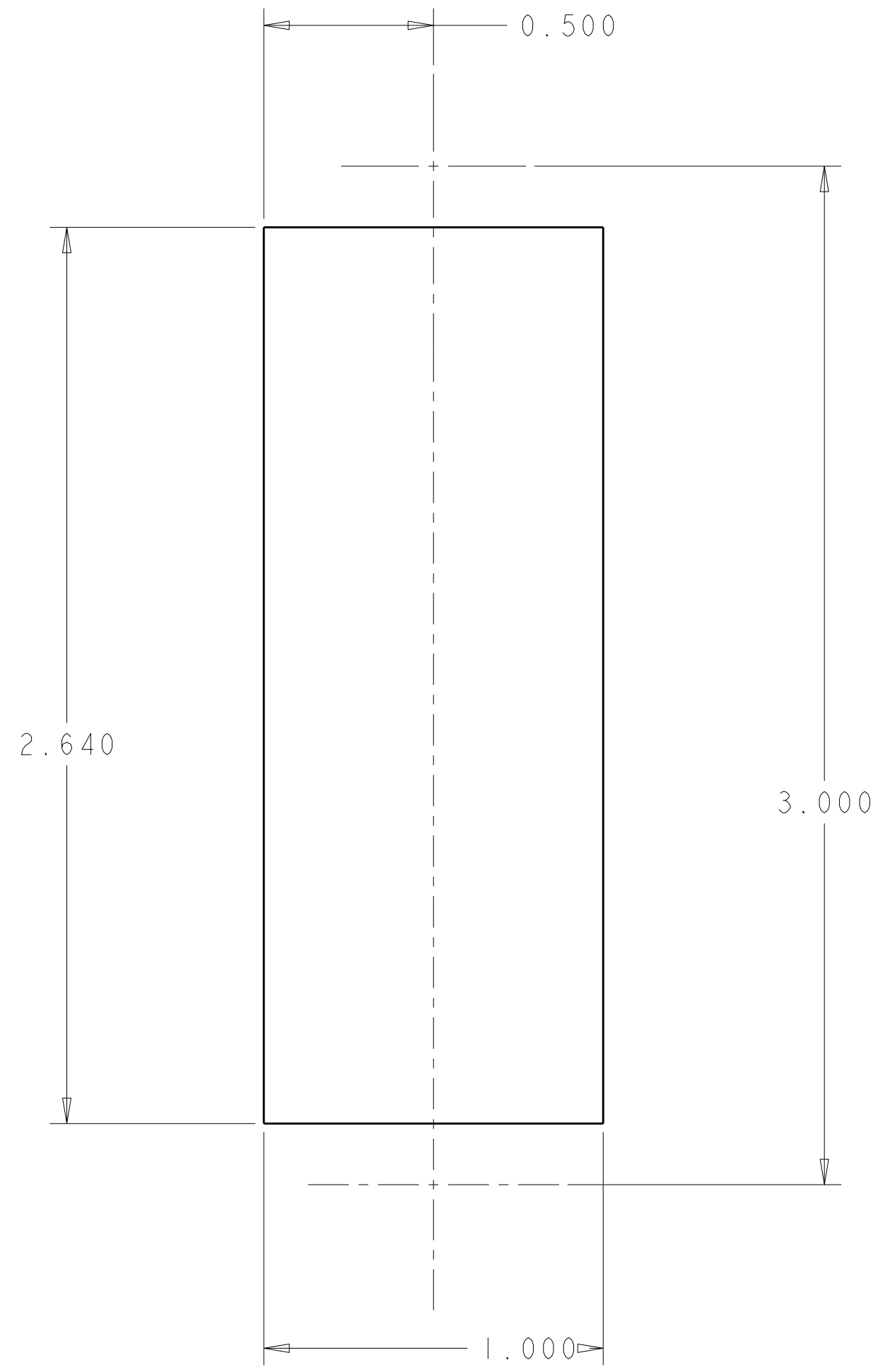


ELCON LOWER DRAWER

<small>THIS DRAWING IS A CONTROLLED DOCUMENT FOR TYCO ELECTRONICS CORPORATION. IT IS SUBJECT TO CHANGE AND THE CONTROLLING ENGINEERING ORGANIZATION SHOULD BE CONTACTED FOR THE LATEST REVISION.</small>		DWN R. GRZYBOWSKI 90CT08 CHK D. ORRIS 90CT08 APVD S. FLICKINGER 90CT08	Tyco Electronics Harrisburg, PA 17105-3608
DIMENSIONS: INCHES 	TOLERANCES UNLESS OTHERWISE SPECIFIED: 0 PLC ± 1 PLC ± 2 PLC ±.02 3 PLC ±.010 4 PLC ± ANGLES ±.5 FINISH	PRODUCT SPEC 108-2285 APPLICATION SPEC 114-13206 WEIGHT -	NAME CONNECTOR ASSEMBLY SOCKET LOWER DRAWER
MATERIAL 2 - 3 -	SIZE CAGE CODE DRAWING NO A200779 C-2085009	RESTRICTED TO -	SCALE 3:1 SHEET 1 OF 2 REV A
CUSTOMER DRAWING			-

THIS DRAWING IS UNPUBLISHED. RELEASED FOR PUBLICATION 20
 © COPYRIGHT 20 BY TYCO ELECTRONICS CORPORATION. ALL RIGHTS RESERVED.

LOC		DIST		REVISIONS			
P	LTR	DESCRIPTION	DATE	DWN	APVD		
		SEE SHEET 1					



SUGGESTED PANEL CUTOUT
 VIEW FROM CONNECTOR MOUNTING SIDE

1. PART NUMBER CHANGES AND OR DESIGN CHANGES AFFECTING THE INTERCHANGEABILITY REQUIRE PRIOR TYCO ELECTRONICS APPROVAL AND AUTHORIZATION BY REVISION TO THIS DRAWING.

2 MATERIAL:
 INSULATOR: THERMOPLASTIC, GLASS REINFORCED, UL 94V-0
 FLAMMABILITY RATED, COLOR: BLACK
 CONTACT: COPPER ALLOY
 CROWN BAND: BERYLLIUM COPPER
 RETENTION CLIP: BERYLLIUM COPPER OR STAINLESS STEEL
 SHOULDER SCREWS: STAINLESS STEEL

3 FINISH:
 CONTACTS SIZE #12 BODY : SILVER .000200 MIN THK.
 OVER NICKEL .00050 MIN THK.
 CONTACTS SIZE #20 BODY : GOLD .000010 MIN THK.
 OVER NICKEL .00050 MIN THK.
 CROWN BAND CONTACT: GOLD .000030 MIN THK.
 OVER NICKEL .00040 MIN THK.

4 ITEMS PROVIDED TO THIS SPECIFICATION TO BE PERMANENTLY IDENTIFIED PER THE FOLLOWING IDENTIFIER:
 YEAR 1 WEEK 1

TYCO ELECTRONICS P/N DATE CODE (e.g. 0216)
 XXXXXXXX-X XXXX

5 CRIMP CONTACTS AND SHOULDER SCREWS (ITEMS B THRU D) SHALL BE PACKAGED SEPARATELY AND PLACED IN THE BOX WITH THE CONNECTOR ASSEMBLY.

5	2	1650106-1	SHOULDER SCREW, 6-32 THD	D
5	8	6648318-1	CONTACT, SOCKET, #12, CRIMP	C
5	21	1648325-1	CONTACT, SOCKET, #20, CRIMP	B
	1	1648206-2	HOUSING, SOCKET, FLOAT MOUNT	A
	-1	PART NUMBER	DESCRIPTION	ITEM

ELCON LOWER DRAWER

<small>THIS DRAWING IS A CONTROLLED DOCUMENT FOR TYCO ELECTRONICS CORPORATION. IT IS SUBJECT TO CHANGE AND THE CONTROLLING ENGINEERING ORGANIZATION SHOULD BE CONTACTED FOR THE LATEST REVISION.</small>		DWN R. GRZYBOWSKI 9OCT08 CHK D. ORRIS 9OCT08 APVD S. FLICKINGER 9OCT08	Tyco Electronics Harrisburg, PA 17105-3608
DIMENSIONS: INCHES 	TOLERANCES UNLESS OTHERWISE SPECIFIED: 0 PLC ± 1 PLC ±.02 2 PLC ±.010 3 PLC ± 4 PLC ± ANGLES ±.5 FINISH	PRODUCT SPEC 108-2285 APPLICATION SPEC 114-13206 WEIGHT -	NAME: CONNECTOR ASSEMBLY SOCKET LOWER DRAWER SIZE: A2 CAGE CODE: 00779 DRAWING NO: 2085009 RESTRICTED TO: -
MATERIAL: -		CUSTOMER DRAWING	
		SCALE: 3:1	SHEET 2 OF 2 REV A