

The ECS-D479.5B is a 479.5 MHz SAW (Surface Acoustic Wave) Filter in a thru-hole TO39-3A package. They are ideal for Satellite TV.

Request a Sample

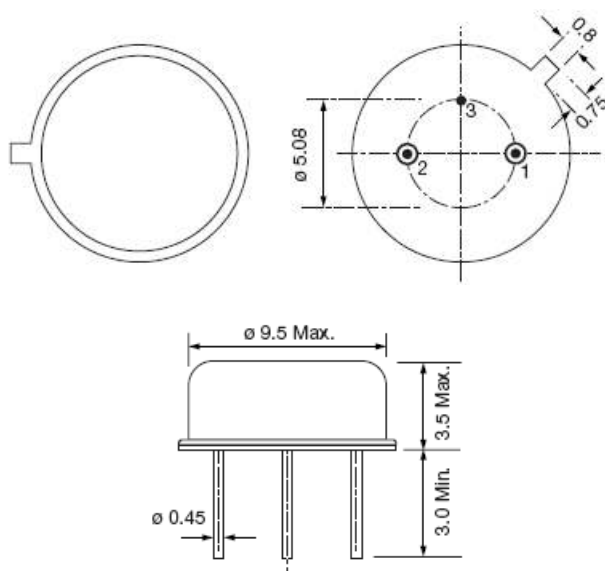
**OPERATING CONDITIONS / ELECTRICAL CHARACTERISTICS**



- Quartz Stability
- Ideal for Satellite Receiver
- RoHS Compliant

| Parameters            | Conditions   | ECS-D479.5B  |       |       | Units  |
|-----------------------|--------------|--------------|-------|-------|--------|
|                       |              | MIN          | TYP   | MAX   |        |
| Center Frequency      |              | 478.0        | 479.5 | 481.0 | MHz    |
| Insertion Loss        | @ 479.5 MHz  |              |       | 23    | dB     |
| 3 dB Pass Band        |              | 25.7         | 26.7  | 27.7  | MHz    |
| Spurious Response     | 0 to 750 MHz | 30           |       |       | dB     |
| Frequency Stability   | -25°C ~ 85°C |              | -86   |       | PPM/°C |
| Insulation Resistance | 10V DC       | 1            |       |       | MΩ     |
| Terminating Impedance | Input        | 60Ω//4.8pF   |       |       |        |
|                       | Output       | 260Ω//3.1 pF |       |       |        |
| Operating Temperature |              | -25          |       | +85   | °C     |
| Storage Temperature   |              | -40          |       | +85   | °C     |

**Package Dimensions (mm)**



| Pin Connections |        |
|-----------------|--------|
| #1              | Input  |
| #2              | Output |
| #3              | Ground |

Figure 1) Top, Side, and Bottom views