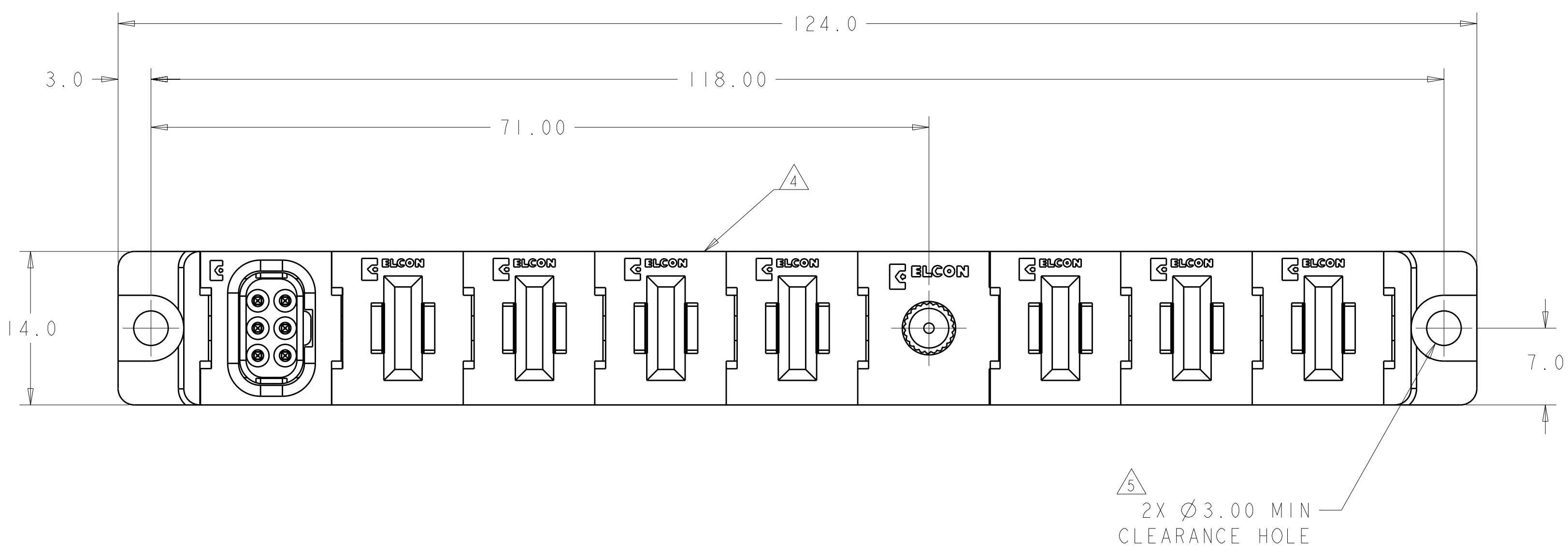


LOC	DIST	REVISIONS					
GP	00	P	LTR	DESCRIPTION	DATE	DWN	APVD
		A		NEW RELEASE	11SEP2007	RG	PD
		B		REV PER ECO-11-020831	13SEP2011	RG	MS



1. PART NUMBER CHANGES AND OR DESIGN CHANGES AFFECTING ITEM INTERCHANGEABILITY REQUIRE PRIOR TYCO ELECTRONICS APPROVAL AND AUTHORIZATION BY REVISION TO THIS DRAWING.

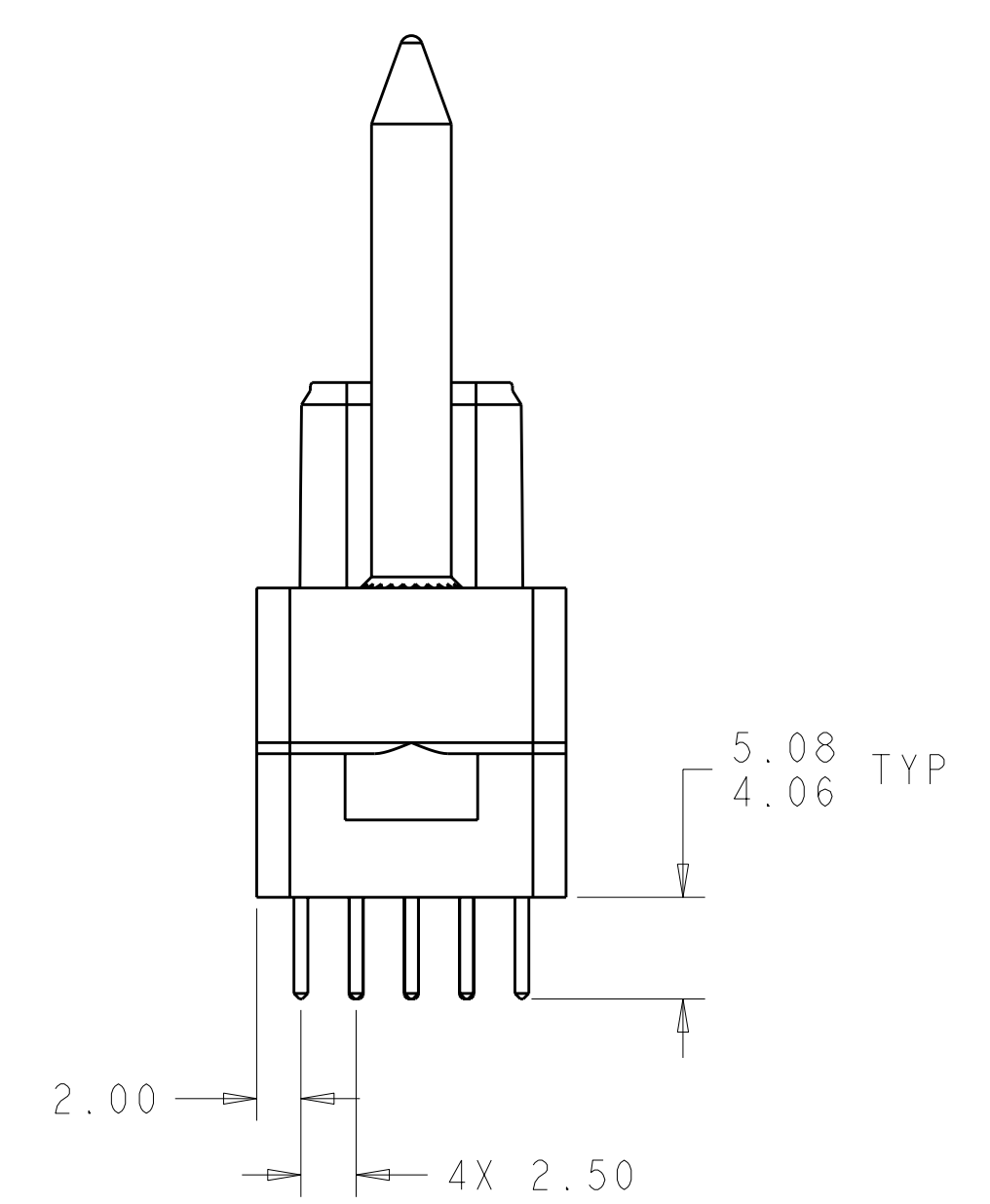
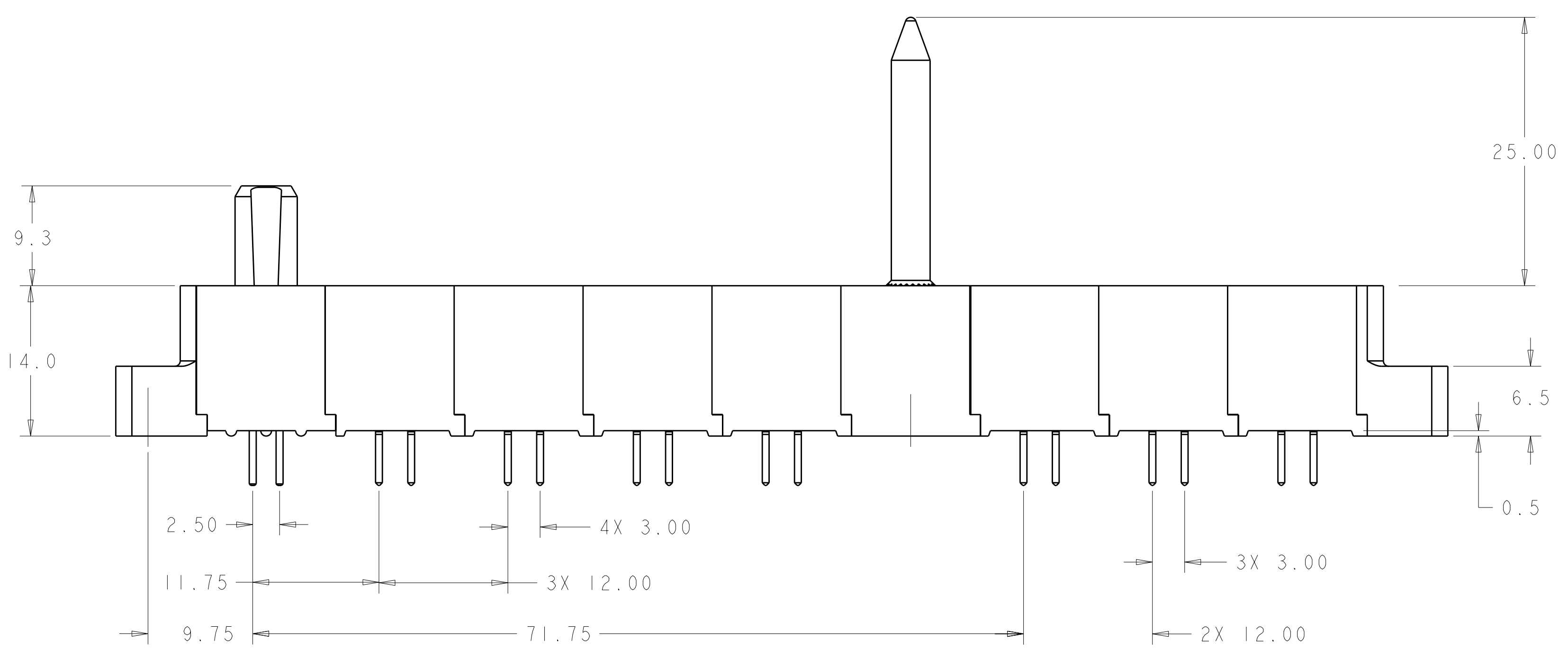
2 MATERIAL:
 INSULATORS - THERMOPLASTIC, GLASS REINFORCED, COLOR: BLACK UL94V-0 FLAMMABILITY RATED.
 POWER CONTACTS - PHOSPHOR BRONZE ALLOY, COPPER ALLOY
 SOLDER SIGNAL PIN - BRASS ALLOY
 CROWN BAND-BERYLLIUM COPPER ALLOY
 GUIDE PIN-BRASS ALLOY

3 FINISH:
 CONTACTS - GOLD PLATE 0.76µm MIN. THK., OVER NICKEL 1.27µm MIN. THK
 SOLDER TAILS, TIN 3.05µm MIN. THK.
 OVER NICKEL 1.27µm MIN. THK
 GUIDE PIN - NICKEL PLATE 1.27µm MIN THK.

4 ITEMS PROVIDED TO THIS SPECIFICATION TO BE PERMANENTLY IDENTIFIED PER THE FOLLOWING IDENTIFIER LABEL

YEAR 1 WEEK 1
 TYCO ELECTRONICS P/N DATE CODE (e.g. 0106)
 XXXXXXX-X XXXX

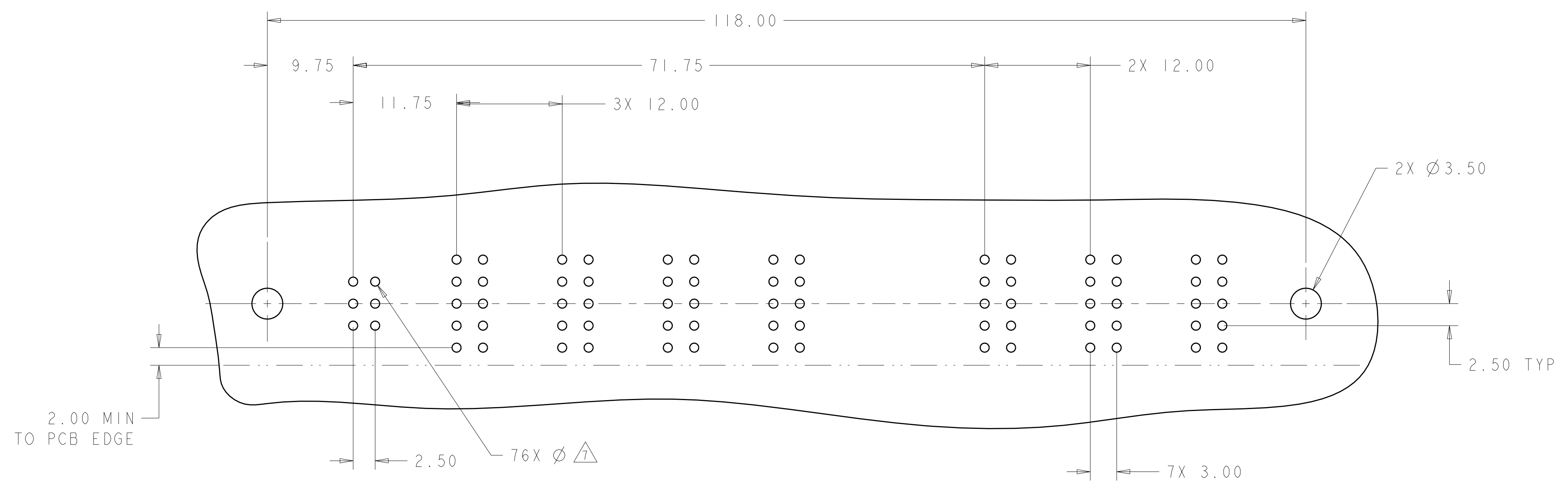
5 MOUNTING FLANGES ACCEPT M3 OR 4-40 SCREWS (USER SUPPLIED).



ELCON FLATPAQ

AS SHOWN		6646317-1	
DESCRIPTION		PART NUMBER	
DIMENSIONS: mm 0 PLC ±.5 1 PLC ±.5 2 PLC ±.25 3 PLC ±.5 4 PLC ±.5 ANGLES ±.3 FINISH -		TOLERANCES UNLESS OTHERWISE SPECIFIED: DIMENSIONS: mm 0 PLC ±.5 1 PLC ±.5 2 PLC ±.25 3 PLC ±.5 4 PLC ±.5 ANGLES ±.3 FINISH -	
MATERIAL: -		FINISH: -	
CUSTOMER DRAWING		SCALE 3:1 SHEET 1 OF 3 REV B	
DWN: R. GRZYBOWSKI CHK: P. DAMATO APVD: S. FLICKINGER		NAME: SOCKET CONNECTOR, STRAIGHT SOLDER TAILS FLATPAQ SIZE: A 00779 C=6646317 RESTRICTED TO: -	
Tyco Electronics Harrisburg, PA 17105-3608		Tyco Electronics Harrisburg, PA 17105-3608	

LOC	DIST	REV	DATE	DWN	APVD
GP	00				
		DESCRIPTION	DATE	DWN	APVD
		SEE SHEET 1			



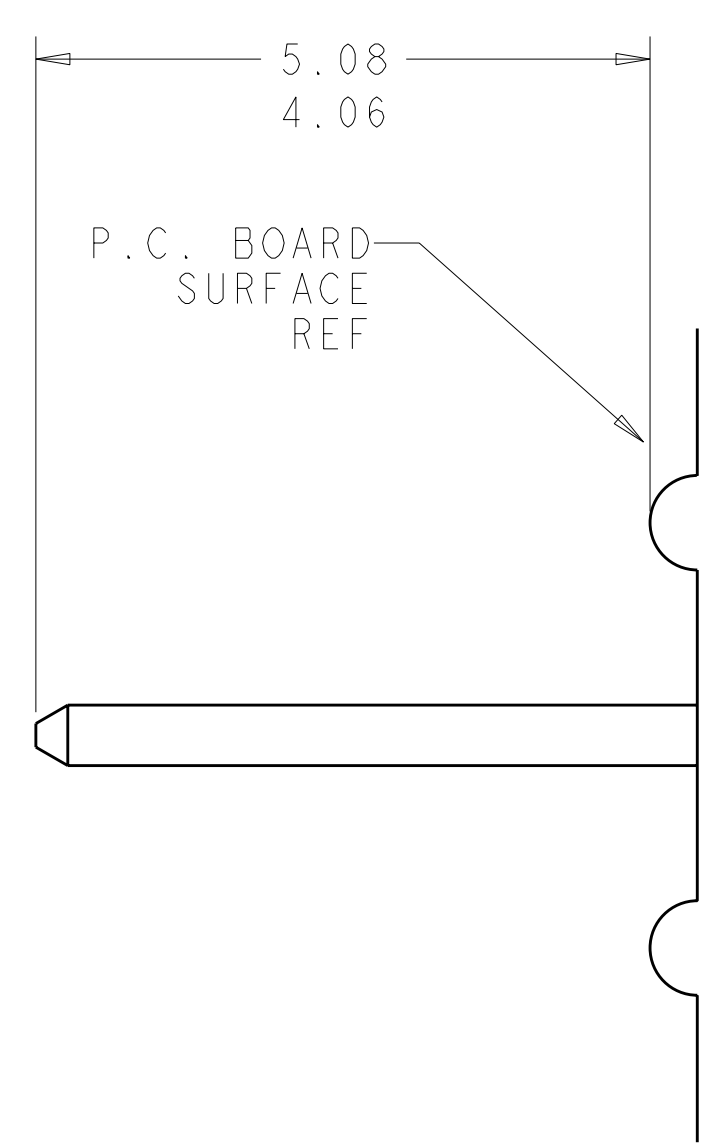
PRINTED CIRCUIT LAYOUT
 COMPONENT SIDE

CONNECTOR	CATALOG MODULE #	QTY	SIZE NO.	CONTACT QTY	MATING PIN	MAX. CURRENT (PER CONTACT)	CONTACT SPACING	VOLTAGE RATING
SOCKET	FP116	4	8	4	1.25 X 7.00	35 amps	12.00	250 VOLTS
	FP313	1	8	6	.64 SQ.	3 amps	2.50	125 VOLTS
	FP503	2	GUIDE PIN, PASSIVE					
	FP500	1	MOUNTING FLANGE, LEFT					
	FP501	1	MOUNTING FLANGE, RIGHT					

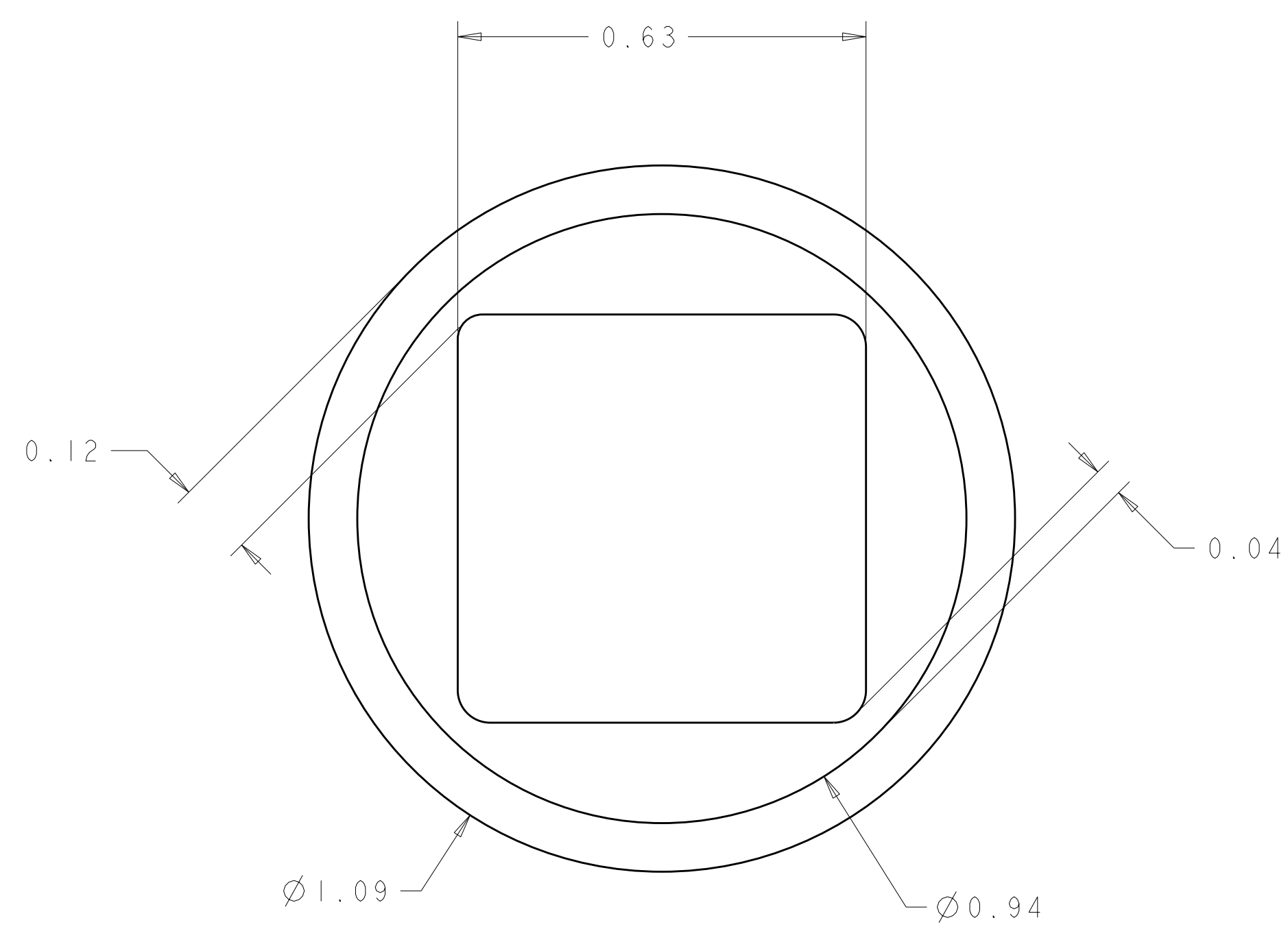
ELCON FLATPAQ

DIMENSIONS: mm 		TOLERANCES UNLESS OTHERWISE SPECIFIED: 0 PLC ±.5 1 PLC ±.5 2 PLC ±.25 3 PLC ±.5 4 PLC ±.5 ANGLES ±.3 FINISH		DWN: R. GRZYBOWSKI CHK: P. DAMATO APVD: S. FLICKINGER		I1SEPT07 I1SEPT07 I1SEPT07		Tyco Electronics Harrisburg, PA 17105-3608	
MATERIAL: - FINISH: -		WEIGHT: - CUSTOMER DRAWING		NAME: SOCKET CONNECTOR, STRAIGHT SOLDER TAILS FLATPAQ SIZE: A100779 CAGE CODE: C-6646317		RESTRICTED TO: - SCALE: 3:1 SHEET: 2 OF 3 REV: B			

LOC	DIST	REVISIONS			
P	LTR	DESCRIPTION	DATE	DWN	APVD
GP	00	SEE SHEET 1	-	-	-



6. SOLDER PIN DETAIL
SCALE 10 : 1



△ SOLDER TERMINATION AREA
SCALE 40:1
RECOMMENDED PRINTED CIRCUIT SOLDER HOLE
FINISHED HOLE: Ø1.02 [.040] ±.08 [.003]
DRILLED HOLE: Ø1.15 [.0453] ±.013 [.0005]
COPPER PLATE: .025 [.0010] MIN
TIN PLATE: .008 [.0003] MIN. (PER SURFACE)

<small>THIS DRAWING IS UNPUBLISHED. RELEASED FOR PUBLICATION BY TYCO ELECTRONICS CORPORATION. ALL RIGHTS RESERVED.</small> <small>THIS IS SUBJECT TO CHANGE WITHOUT NOTICE AND WITHOUT OBLIGATION. SHOULD BE CONTACTED FOR THE LATEST REVISION.</small>		DWN R. GRZYBOWSKI I1SEPT07 CHK P. DAMATO I1SEPT07 APVD S. FLICKINGER I1SEPT07	Tyco Electronics Harrisburg, PA 17105-3608
DIMENSIONS: mm 	TOLERANCES UNLESS OTHERWISE SPECIFIED: 0 PLC ±.5 1 PLC ±.5 2 PLC ±.25 3 PLC ±.125 4 PLC ±.0625 ANGLES ±.3 FINISH	NAME PRODUCT SPEC APPLICATION SPEC WEIGHT CUSTOMER DRAWING	SOCKET CONNECTOR, STRAIGHT SOLDER TAILS FLATPAQ SIZE CAGE CODE DRAWING NO A100779C-6646317 SCALE 3:1 SHEET 3 OF 3 REV B