

IOA DI/DO/BFI/DS/1.0A/EX - Input/output module



2906600

<https://www.phoenixcontact.com/us/products/2906600>

Please be informed that the data shown in this PDF document is generated from our online catalog. Please find the complete data in the user documentation. Our general terms of use for downloads are valid.



Fuse module for VIP I/O-Marshalling base elements with replaceable 1 A fuses in the field device supply path and in the signal path. Integrated test points and a disconnect knife enable uninterrupted signal measurement.

Product description

Fuse module with replaceable 1 A fuse in the supply path and in the signal path. This enables field devices to be supplied with voltage directly from the base element. In addition, the I/O board is protected against short circuits in the signal lines. If a fuse fails, this is indicated by an LED. Test points and a disconnect knife are available in the signal path for uninterrupted signal measurement. The module is installed on a corresponding VIP I/O-Marshalling base element by means of plug-in contact. Installation in zone 2, "ec" type of protection is permitted.

Your advantages

- Signal line blown fuse indication
- Two-stage progressive release allowing for voltage checks with field-powered devices
- Channel for marking accessories
- Replaceable TE5-style fusing
- Signal disconnect with test points
- Integrated keying reduces possible user error during replacement
- 24 V internal marshalling option for connected field device with blown fuse indication

Commercial data

Item number	2906600
Packing unit	1 pc
Note	Made to order (non-returnable)
Sales key	C480
Product key	CK8212
Catalog page	Page 555 (C-5-2017)
GTIN	4055626295268
Weight per piece (including packing)	72.5 g
Weight per piece (excluding packing)	24.1 g
Customs tariff number	85366990
Country of origin	US

IOA DI/DO/BFI/DS/1.0A/EX - Input/output module



2906600

<https://www.phoenixcontact.com/us/products/2906600>

Technical data

Product properties

Product type	Interface module
Product family	VIP I/O-Marshalling
No. of channels	1
Operating mode	100% operating factor

Insulation characteristics

Overvoltage category	II
Pollution degree	2

Electrical properties

No. of channels	1
Max. operating voltage U_{max}	30 V
Max. permissible current	1 A (fuse limited)
Nominal voltage U_N	24 V DC
Max. current carrying capacity per branch	1 A (fuse limited)

Output data

Nominal supply voltage	24 V DC
Continuous load current	1 A

Connection data

Control circuits

Connection method	Pin strip
Number of connections	1
Number of positions	13

Ex data

Safety data

Input voltage U_i	30 V
Input current I_i	1 A
Inductance L_i	0 mH
Capacitance C_i	0 μ F
Max. output voltage U_o	U_i
Max. output current I_o	I_i
Max. output power P_o	P_i

Signaling

Status display	No
Status display present	Yes, if the fuse fails

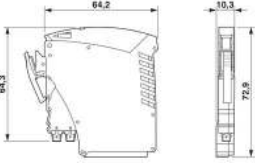
IOA DI/DO/BFI/DS/1.0A/EX - Input/output module



2906600

<https://www.phoenixcontact.com/us/products/2906600>

Dimensions

Dimensional drawing	
Width	10.3 mm
Height	64.2 mm
Depth	72.9 mm

Material specifications

Flammability rating according to UL 94	V0
--	----

Environmental and real-life conditions

Ambient conditions

Degree of protection	IP20
Ambient temperature (operation)	-40 °C ... 75 °C
Ambient temperature (storage/transport)	-40 °C ... 75 °C
Altitude	≤ 2000 m
Permissible humidity (operation)	0 % ... 95 % (non-condensing)

Approvals

ATEX

Identification	Ex II 3G Ex nA IIC T4 Gc
Certificate	CSANe 21ATEX4128X

IECEX

Identification	Ex nA IIC T4 Gc
Certificate	IECEX CSAE 21.0004X

UKEX

Identification	Ⓜ II 3G Ex nA IIC T4 Gc
Certificate	PxCIF23UKEX2906598X

UL, USA/Canada

Identification	Class I, Div. 2, Groups A, B, C, D T4
	Class I, Zone 2, IIC T4

CSA, USA/Canada

Identification	Class I, Div. 2, Groups A, B, C, D T4
	Class I, Zone 2, AEx nA IIC T4 Gc
	Ex nA IIC T4 Gc

Standards and regulations

IOA DI/DO/BFI/DS/1.0A/EX - Input/output module



2906600

<https://www.phoenixcontact.com/us/products/2906600>

Standards/regulations	IEC 60664
	DIN EN 50178

Mounting

Mounting position	any
-------------------	-----

IOA DI/DO/BFI/DS/1.0A/EX - Input/output module

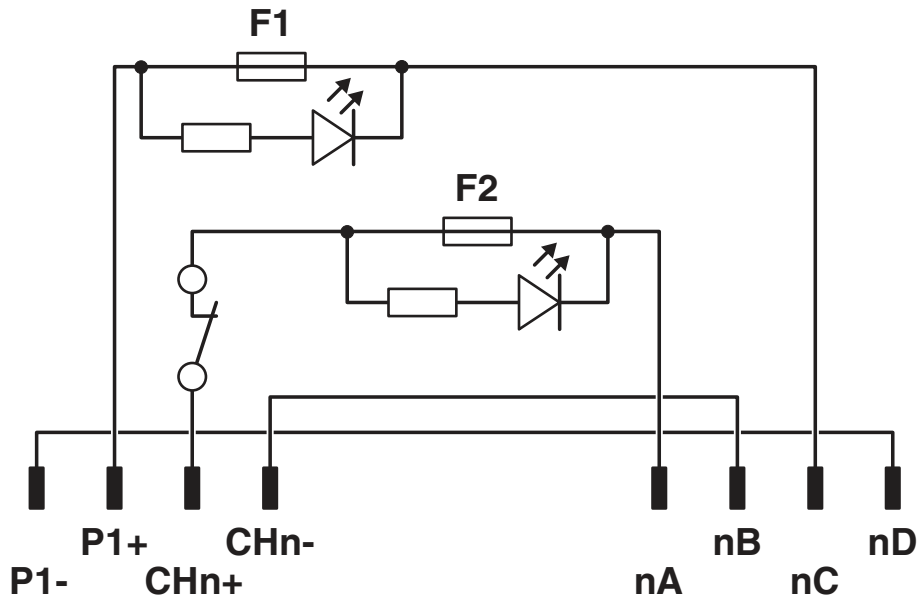


2906600

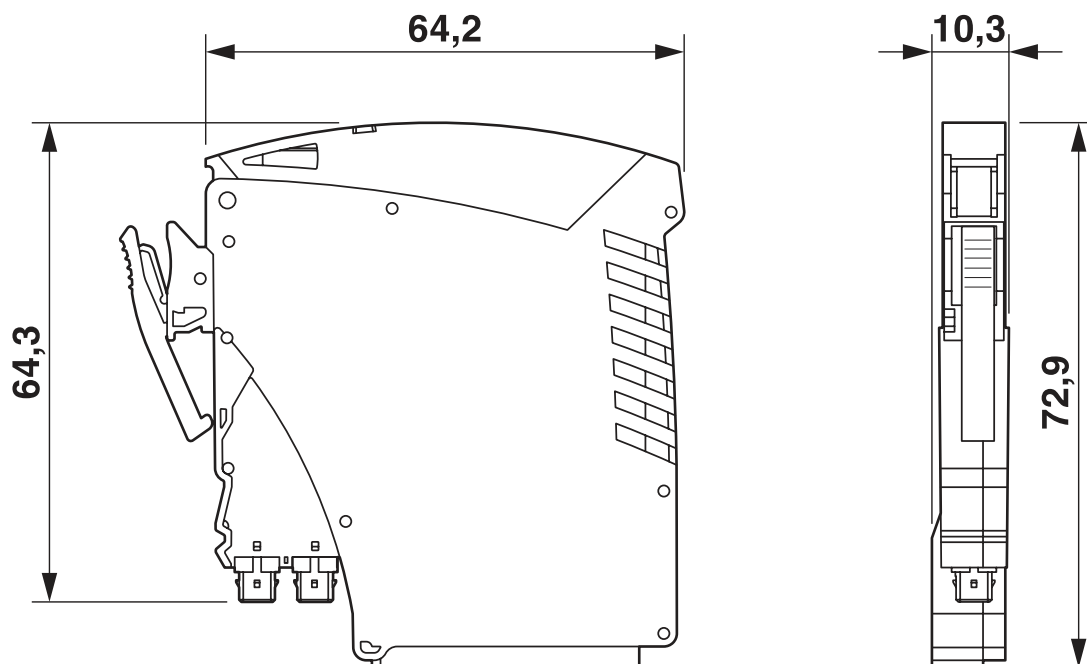
<https://www.phoenixcontact.com/us/products/2906600>

Drawings

Circuit diagram



Dimensional drawing



2906600

<https://www.phoenixcontact.com/us/products/2906600>

Approvals

To download certificates, visit the product detail page: <https://www.phoenixcontact.com/us/products/2906600>

Functional Safety

Approval ID: PHO 1609035 C001



IECEX

Approval ID: IECEx SIR 16.0088X



CSA

Approval ID: 2431647



FM approved

Approval ID: FM 16USUS0155X



CSAus

Approval ID: 2431647



ATEX

Approval ID: Sira 16ATEX4260X

cCSAus

IOA DI/DO/BFI/DS/1.0A/EX - Input/output module



2906600

<https://www.phoenixcontact.com/us/products/2906600>

Classifications

ECLASS

ECLASS-11.0	27141152
ECLASS-12.0	27141152
ECLASS-13.0	27141152

ETIM

ETIM 8.0	EC002780
----------	----------

UNSPSC

UNSPSC 21.0	39121400
-------------	----------

IOA DI/DO/BFI/DS/1.0A/EX - Input/output module



2906600

<https://www.phoenixcontact.com/us/products/2906600>

Environmental product compliance

REACH SVHC	Lead 7439-92-1
China RoHS	Environmentally Friendly Use Period = 50 years
	For information on hazardous substances, refer to the manufacturer's declaration available under "Downloads"

IOA DI/DO/BFI/DS/1.0A/EX - Input/output module



2906600

<https://www.phoenixcontact.com/us/products/2906600>

Mandatory accessories

VIP/S/MC/BASE 1-8/L/EX - Base module

2906596

<https://www.phoenixcontact.com/us/products/2906596>



8-channel VIP I/O marshalling base element for universal use. All connections as screw connection technology. With the COMBICON connector, compatible with the Honeywell C300 and RUSIO series. Marking for channels 1–8.

VIP/S/MC/BASE 9-16/L/EX - Base module

2906630

<https://www.phoenixcontact.com/us/products/2906630>



8-channel VIP I/O marshalling base element for universal use. All connections as screw connection technology. With the COMBICON connector, compatible with the Honeywell C300 and RUSIO series. Marking for channels 9–16.

IOA DI/DO/BFI/DS/1.0A/EX - Input/output module



2906600

<https://www.phoenixcontact.com/us/products/2906600>

VIP/S/MC/BASE 17-24/L/EX - Base module

2907024

<https://www.phoenixcontact.com/us/products/2907024>



8-channel VIP I/O marshalling base element for universal use. All connections as screw connection technology. With the COMBICON connector, compatible with the Honeywell C300 and RUSIO series. Marking for channels 17–24.

VIP/S/MC/BASE 25-32/L/EX - Base module

2907025

<https://www.phoenixcontact.com/us/products/2907025>



8-channel VIP I/O marshalling base element for universal use. All connections as screw connection technology. With the COMBICON connector, compatible with the Honeywell C300 and RUSIO series. Marking for channels 25–32.

IOA DI/DO/BFI/DS/1.0A/EX - Input/output module



2906600

<https://www.phoenixcontact.com/us/products/2906600>

VIP/S/MC/BASE 1-8/L/C/EX - Base module

2907186

<https://www.phoenixcontact.com/us/products/2907186>



8-channel VIP I/O marshalling base element for universal use. All connections as screw connection technology. With the COMBICON connector, compatible with the Honeywell C300 and RUSIO series. Marking for channels 1–8 and painting.

VIP/S/MC/BASE 9-16/L/C/EX - Base module

2907187

<https://www.phoenixcontact.com/us/products/2907187>



8-channel VIP I/O marshalling base element for universal use. All connections as screw connection technology. With the COMBICON connector, compatible with the Honeywell C300 and RUSIO series. Marking for channels 9–16 and painting.

IOA DI/DO/BFI/DS/1.0A/EX - Input/output module



2906600

<https://www.phoenixcontact.com/us/products/2906600>

VIP/S/MC/BASE 17-24/L/C/EX - Base module

2907209

<https://www.phoenixcontact.com/us/products/2907209>



8-channel VIP I/O marshalling base element for universal use. All connections as screw connection technology. With the COMBICON connector, compatible with the Honeywell C300 and RUSIO series. Marking for channels 17–24 and painting.

VIP/S/MC/BASE 25-32/L/C/EX - Base module

2907210

<https://www.phoenixcontact.com/us/products/2907210>



8-channel VIP I/O marshalling base element for universal use. All connections as screw connection technology. With the COMBICON connector, compatible with the Honeywell C300 and RUSIO series. Marking for channels 25–32 and painting.

IOA DI/DO/BFI/DS/1.0A/EX - Input/output module

2906600

<https://www.phoenixcontact.com/us/products/2906600>



VIP/S/D25M/BASE 1-8/L/C/EX - Base module

2906595

<https://www.phoenixcontact.com/us/products/2906595>



8-channel VIP I/O marshalling base element for universal use. All connections as screw connection technology. This module with the D-SUB 25 connector is pin compatible with the Foxboro I/A series DCS.

Accessories

UC-TM 6 - Marker for terminal blocks

0818085

<https://www.phoenixcontact.com/us/products/0818085>



Marker for terminal blocks, Sheet, white, unlabeled, can be labeled with: BLUEMARK ID COLOR, BLUEMARK ID, BLUEMARK CLED, PLOTMARK, CMS-P1-PLOTTER, mounting type: snapped, for terminal block width: 6.2 mm, lettering field size: 5.6 x 10.5 mm, Number of individual labels: 80

IOA DI/DO/BFI/DS/1.0A/EX - Input/output module



2906600

<https://www.phoenixcontact.com/us/products/2906600>

UC-TM 6 BU - Marker for terminal blocks

0818344

<https://www.phoenixcontact.com/us/products/0818344>



Marker for terminal blocks, Sheet, blue, unlabeled, can be labeled with: BLUEMARK ID COLOR, BLUEMARK ID, BLUEMARK CLED, PLOTMARK, CMS-P1-PLOTTER, mounting type: snapped, for terminal block width: 6.2 mm, lettering field size: 5.6 x 10.5 mm, Number of individual labels: 80

ZB 5,08:UNBEDRUCKT - Zack marker strip

0809793

<https://www.phoenixcontact.com/us/products/0809793>



Zack marker strip, Strip, white, unlabeled, can be labeled with: PLOTMARK, CMS-P1-PLOTTER, mounting type: snapped, for terminal block width: 5.08 mm, lettering field size: 4.98 x 10.5 mm, Number of individual labels: 10

IOA DI/DO/BFI/DS/1.0A/EX - Input/output module



2906600

<https://www.phoenixcontact.com/us/products/2906600>

B-STIFT - Marker pen

1051993

<https://www.phoenixcontact.com/us/products/1051993>



Marker pen, for manual labeling of unprinted Zack strips, smear-proof and waterproof, line thickness 0.5 mm

FUSE/TE5/500MA/F-10PCS - Fuse set

2905276

<https://www.phoenixcontact.com/us/products/2905276>



Plug-in fuse (TE5[®]); nominal current: 500 mA; tripping behavior: fast-blow (F)

Phoenix Contact 2023 © - all rights reserved
<https://www.phoenixcontact.com>

Phoenix Contact USA
586 Fulling Mill Road
Middletown, PA 17057, United States
(+717) 944-1300
info@phoenixcon.com