

MATERIALS AND FINISHES

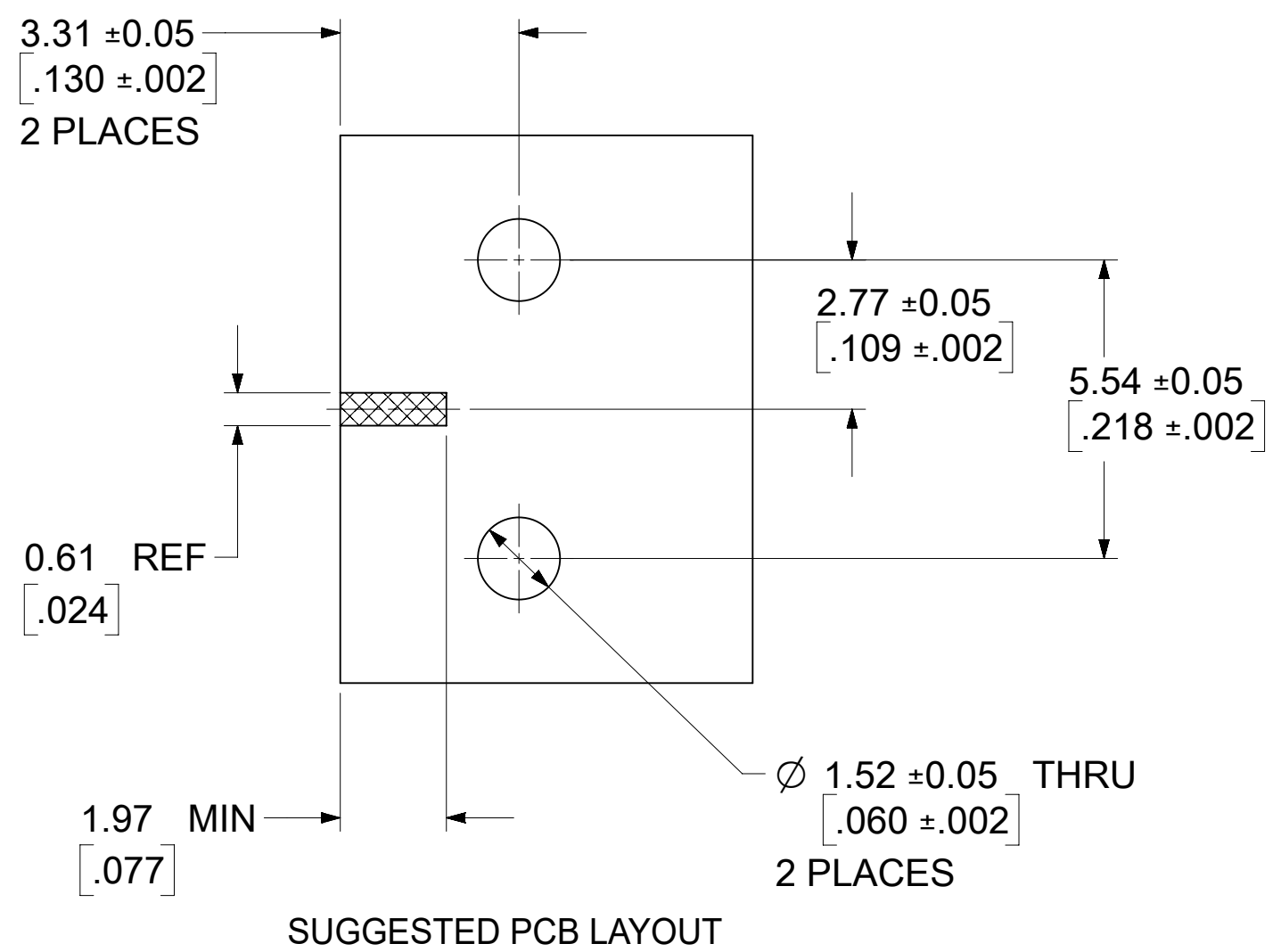
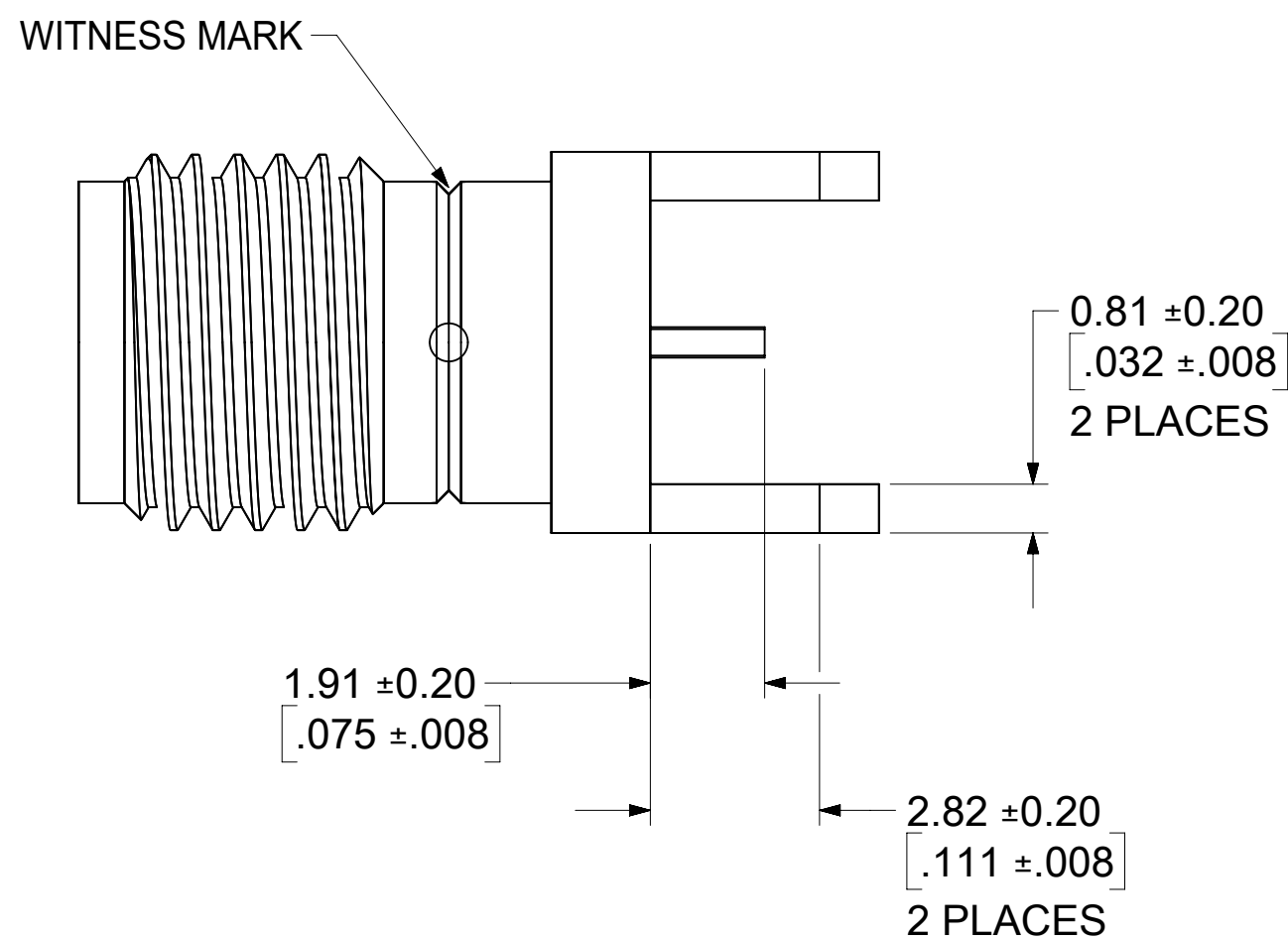
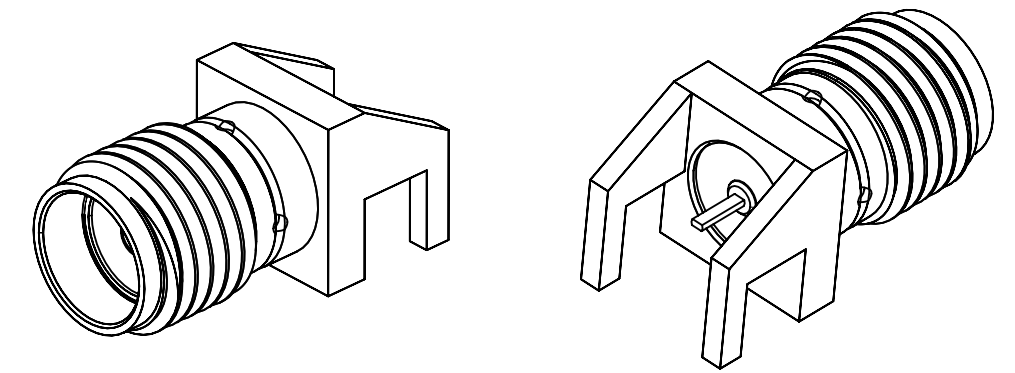
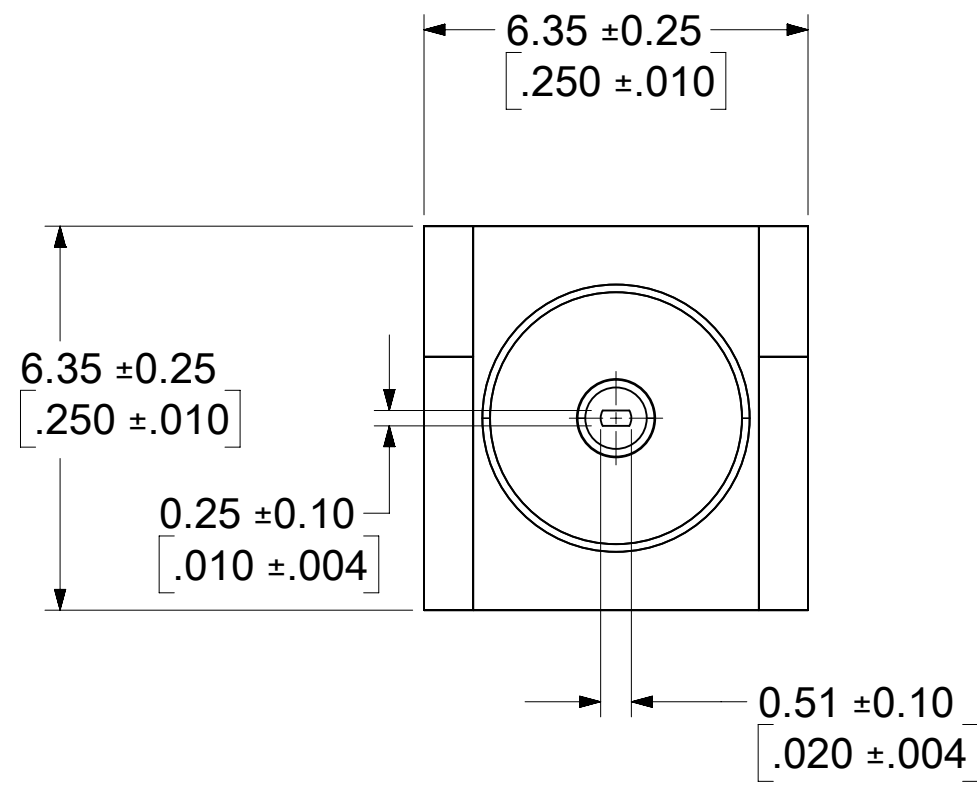
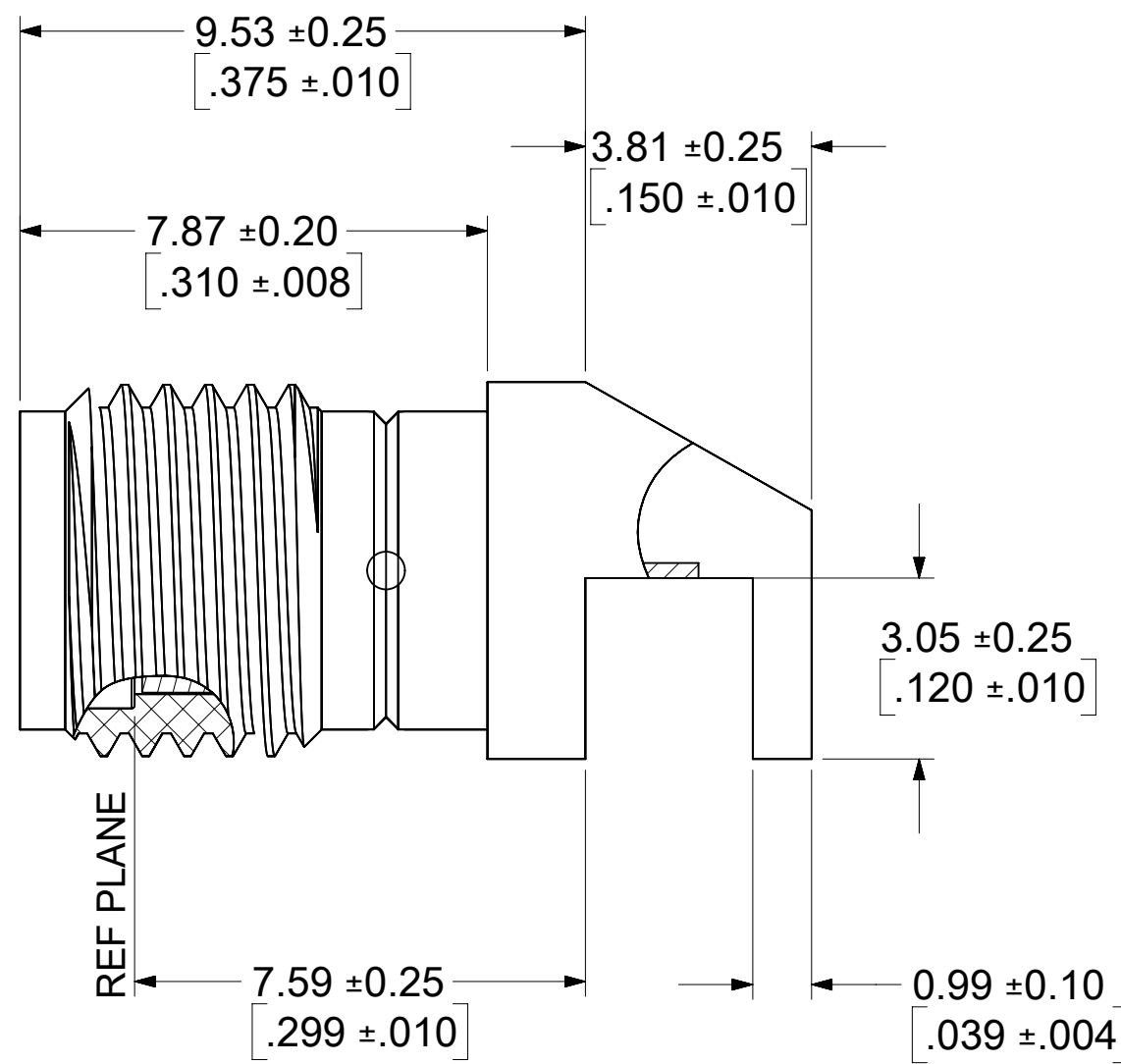
BODY: BRASS
PLATED SEE TABLE

INSULATOR: TEFLON

CONTACT: BERYLLIUM COPPER
PLATED SEE TABLE

PACKAGE SEE 895420040 DRAWING

CENTER CONTACT RETENTION:
TORQUE: 4 IN-OZ
AXIAL: 6 LBS



PS-89675-3460	PRODUCT SPECIFICATION
MIL-STD-348A, FIG. 310.2	INTERFACE SMA JACK
SPECIFICATION	DESCRIPTION

73251-2442	GOLD 1 u" MIN.	GOLD 1 u" MIN.
73251-2441	GOLD 3 u" MIN.	GOLD 50 u"
73251-2440	GOLD 3 u" MIN	GOLD 30 u"
PART NO.	BODY PLATING	CENTER CONTACT PLATING

FUNCTIONAL SYMBOLS										THIS DRAWING CONTAINS INFORMATION THAT IS PROPRIETARY TO MOLEX ELECTRONIC TECHNOLOGIES, LLC AND SHOULD NOT BE USED WITHOUT WRITTEN PERMISSION																	
DIMENSION UNITS		SCALE		CURRENT REV DESC:																							
MM/INCH		NTS		EWR # 14997-A ADDED -2442 PART NO																							
GENERAL TOLERANCES (UNLESS SPECIFIED)										EC NO: 698778																	
ANGULAR TOL ± 2.0°										DRWN: JSU18 2022/02/14																	
4 PLACES ±										CHK'D: YCHENG 2022/03/17																	
3 PLACES ±										APPR: YCHENG 2022/03/17																	
2 PLACES ±										INITIAL REVISION:																	
1 PLACE ±										DRWN: AROBERTS 2004/08/12																	
0 PLACES ±										APPR: JWIENER 2004/08/12																	
DRAFT WHERE APPLICABLE MUST REMAIN WITHIN DIMENSIONS					THIRD ANGLE PROJECTION					DRAWING					SERIES												
										C-SIZE					73251												
DOCUMENT NUMBER				CUSTOMER				SHEET NUMBER				DOCUMENT NUMBER				DOC TYPE				DOC PART				REVISION			
SD-73251-244				GENERAL MARKET				1 OF 1				SD-73251-244				PSD				001				B1			