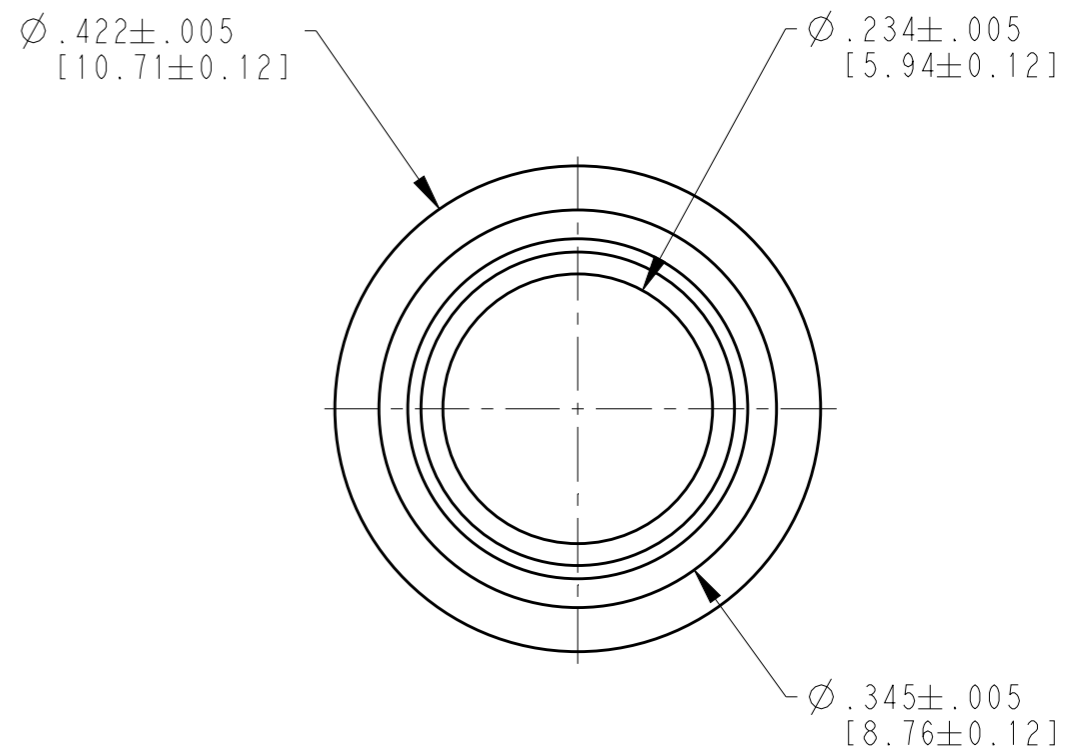
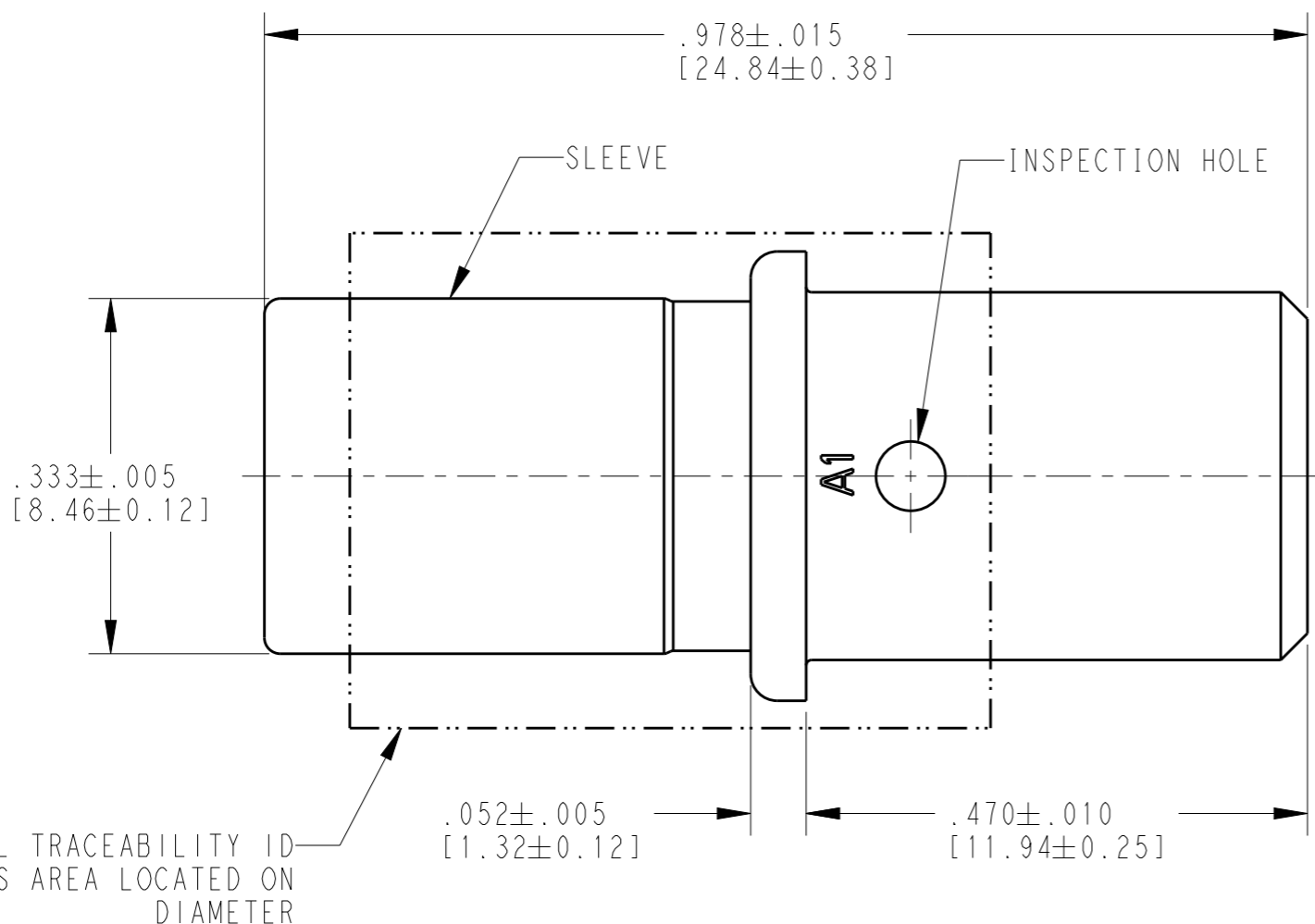


THIS DRAWING IS UNPUBLISHED
 (C) COPYRIGHT 2000 BY TE CONNECTIVITY ALL RIGHTS RESERVED.
 RELEASED FOR PUBLICATION 2018

REVISIONS					
P	LTR	DESCRIPTION	DATE	DWN	APVD
	NC	NEW RELEASE PER E.O. P17008	19DEC2000	DM	RDR
	A	REVISED PER PCN E-18-012207	31JUL2018	JA	DM
	A1	REVISED PER PCN E-19-018080	19NOV2019	MK	DM



OPTIONAL TRACEABILITY ID IN THIS AREA LOCATED ON DIAMETER

TE INTERNAL PN	DEUTSCH PN	PLATING
0462-203-04141	0462-203-04141	NICKEL

- (A1) 2. SEE APPLICATION SPECIFICATION 114-151004 FOR CRIMP TOOLS AND WIRE RANGE
- (A1) 1. DELETED.

NOTES: UNLESS OTHERWISE SPECIFIED

THIS DRAWING IS A CONTROLLED DOCUMENT.		DWN D. MEYER 29NOV2000	TE Connectivity													
DIMENSIONS: INCHES [mm]		CHK B. BYFORD 18DEC2000														
TOLERANCES UNLESS OTHERWISE SPECIFIED:		APVD D. MEYER 09JAN2001	NAME SOCKET, SOLID SIZE 4, 6 AWG													
<table border="1"> <tr><td>0 PLC</td><td>±</td></tr> <tr><td>1 PLC</td><td>±</td></tr> <tr><td>2 PLC</td><td>±</td></tr> <tr><td>3 PLC</td><td>±</td></tr> <tr><td>4 PLC</td><td>±</td></tr> <tr><td>ANGLES</td><td>±</td></tr> </table>		0 PLC	±	1 PLC	±	2 PLC	±	3 PLC	±	4 PLC	±	ANGLES	±	PRODUCT SPEC 108-151004	RESTRICTED TO	
0 PLC	±															
1 PLC	±															
2 PLC	±															
3 PLC	±															
4 PLC	±															
ANGLES	±															
MATERIAL		APPLICATION SPEC 114-151004	SIZE A3	CAGE CODE 4AFU8	DRAWING NO C=0462-203-04XX											
FINISH		WEIGHT 7.48g	SCALE 6:1													
		CUSTOMER DRAWING	SHEET 1 OF 1													
			REV A1													