

NOTES:

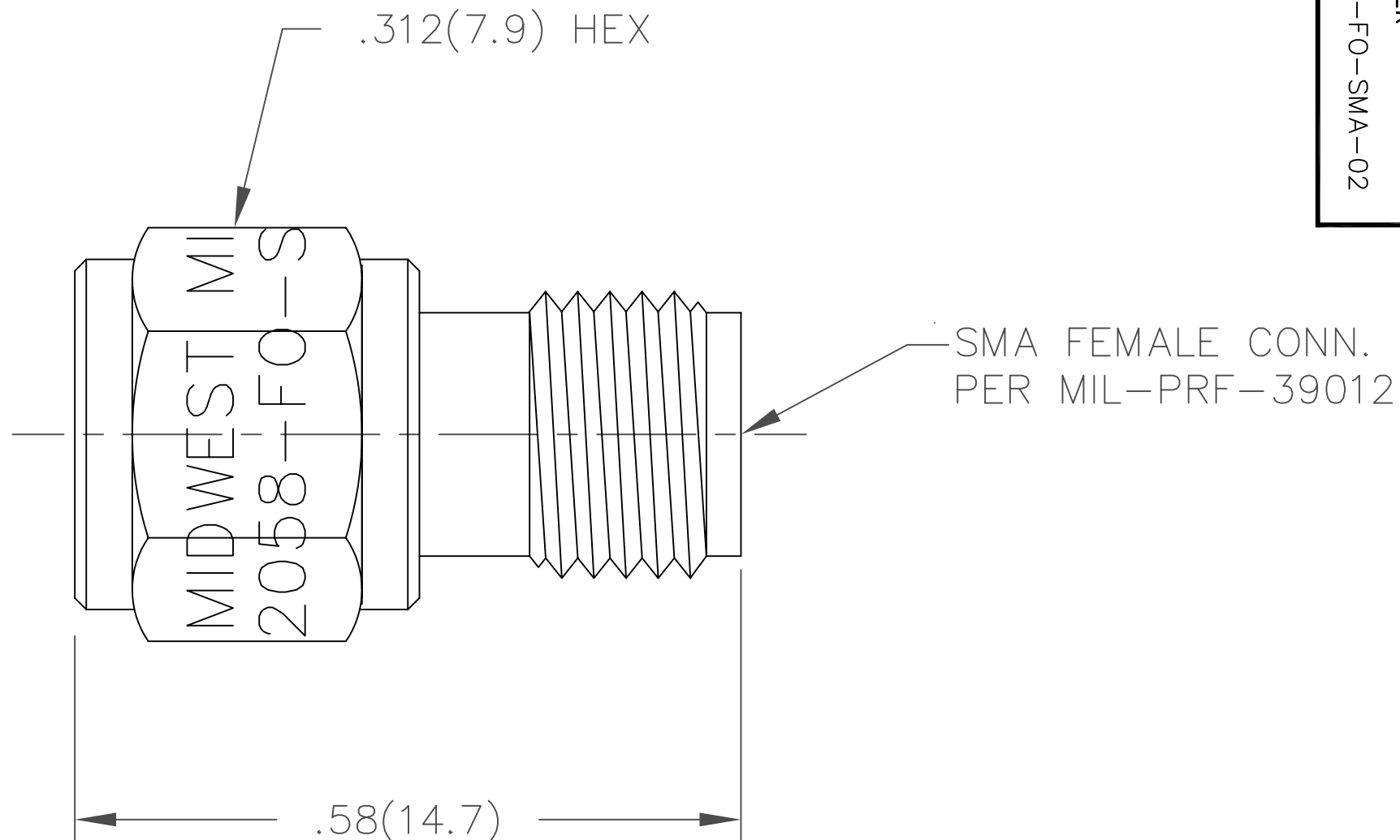
1.0 ELECTRICAL SPECIFICATIONS:

- 1.1 FREQUENCY RANGE: DC to 8.0 GHz.
- 1.2 MAXIMUM INPUT POWER: 2 WATTS AVG. @ +25°C  
DERATED LINEARLY TO 1 WATT @ +125°C
- 1.3 OPERATING & STORAGE TEMP. RANGE:  
-65°C to +125°C
- 1.4 IMPEDANCE: 50 OHMS
- 1.5 VSWR: 1.05 +0.008f(GHz) MAX.

2.0 MARKING:

MARK UNIT AS SHOWN  
(REF.: INK-02639-27-42)

3.0 DIMENSIONS IN PARENTHESIS ARE IN MILLIMETERS.



NOTICE: The information contained in this drawing is proprietary and must not be used without the permission of Emerson Network Power.

UNLESS OTHERWISE NOTED DIMENSIONS ARE IN INCHES AND TOLERANCES ARE:  
3 PLACE DECIMALS ±.005  
2 PLACE DECIMALS ±.02  
FRACTIONS ±1/64  
PARALLELITY: T.I.R. \_\_\_\_\_  
FLATNESS: T.I.R. \_\_\_\_\_  
CONCENTRICITY: T.I.R. \_\_\_\_\_  
ANGLES AND PERPENDICULARITY: ±1°

CAGE CODE <b>34078</b>		<b>MIDWEST MICROWAVE</b>	
 <b>EMERSON</b> Network Power Connectivity Solutions		TITLE TERMINATION OUTLINE DRAWING	
		DRAWN/DATE M.HOLLMAN 1/11/94	ENG./DATE G.KOZAK 1/12/94
CHECKED/DATE A.BEATTY 1/12/94		APPROVED/DATE	DRAWING NUMBER TRM-2058-FO-SMA-02-01
SCALE: 5=1		SHEET 1 of 1	REV. -1

REV.	DESCRIPTION	DATE
-	RELEASED	1/20/94
-1	ADDED TITLEBLOCK	10/27/05