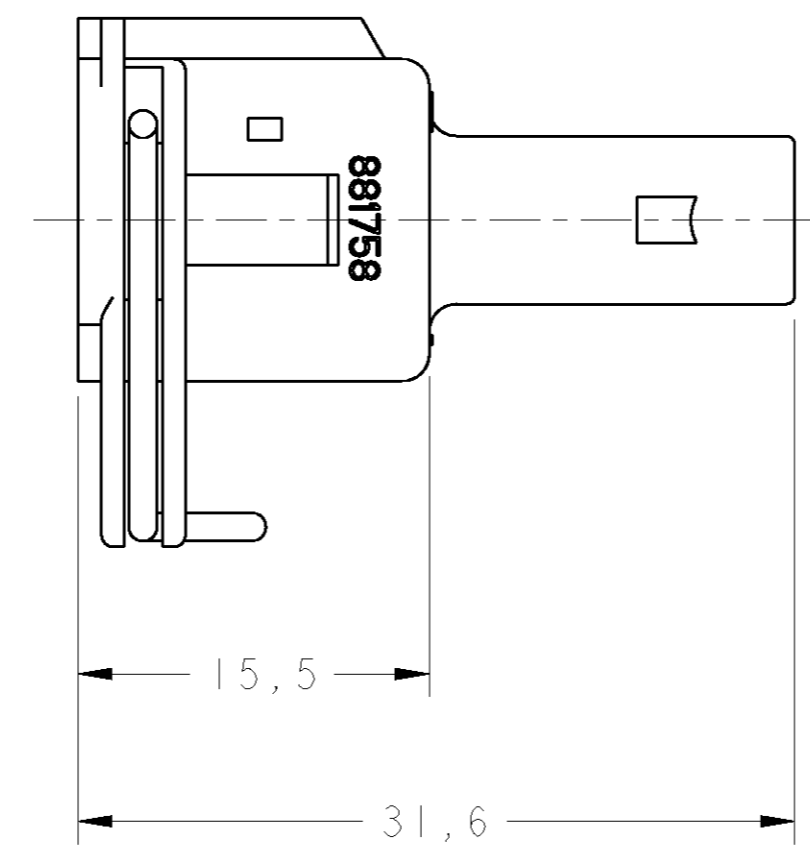
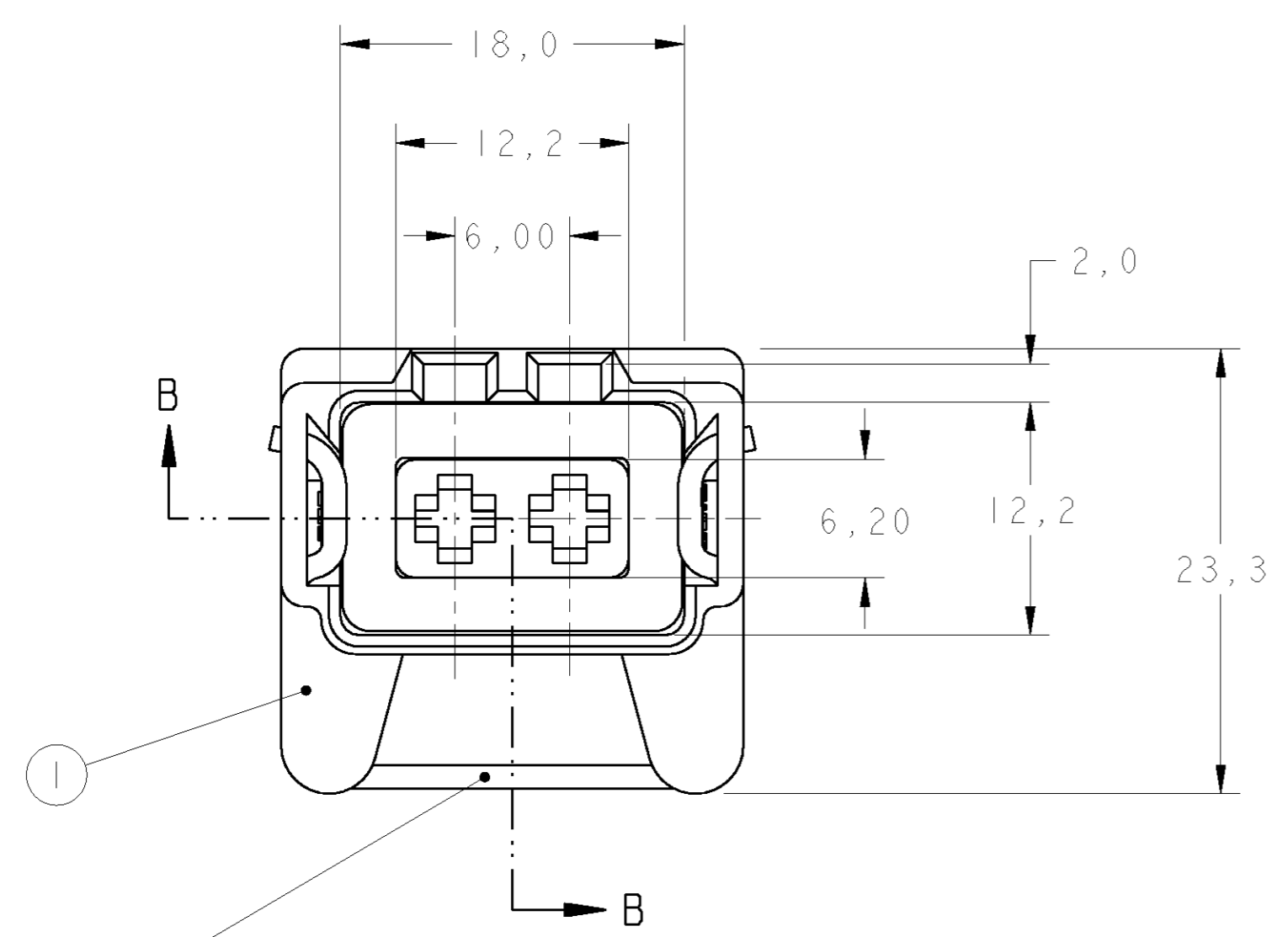


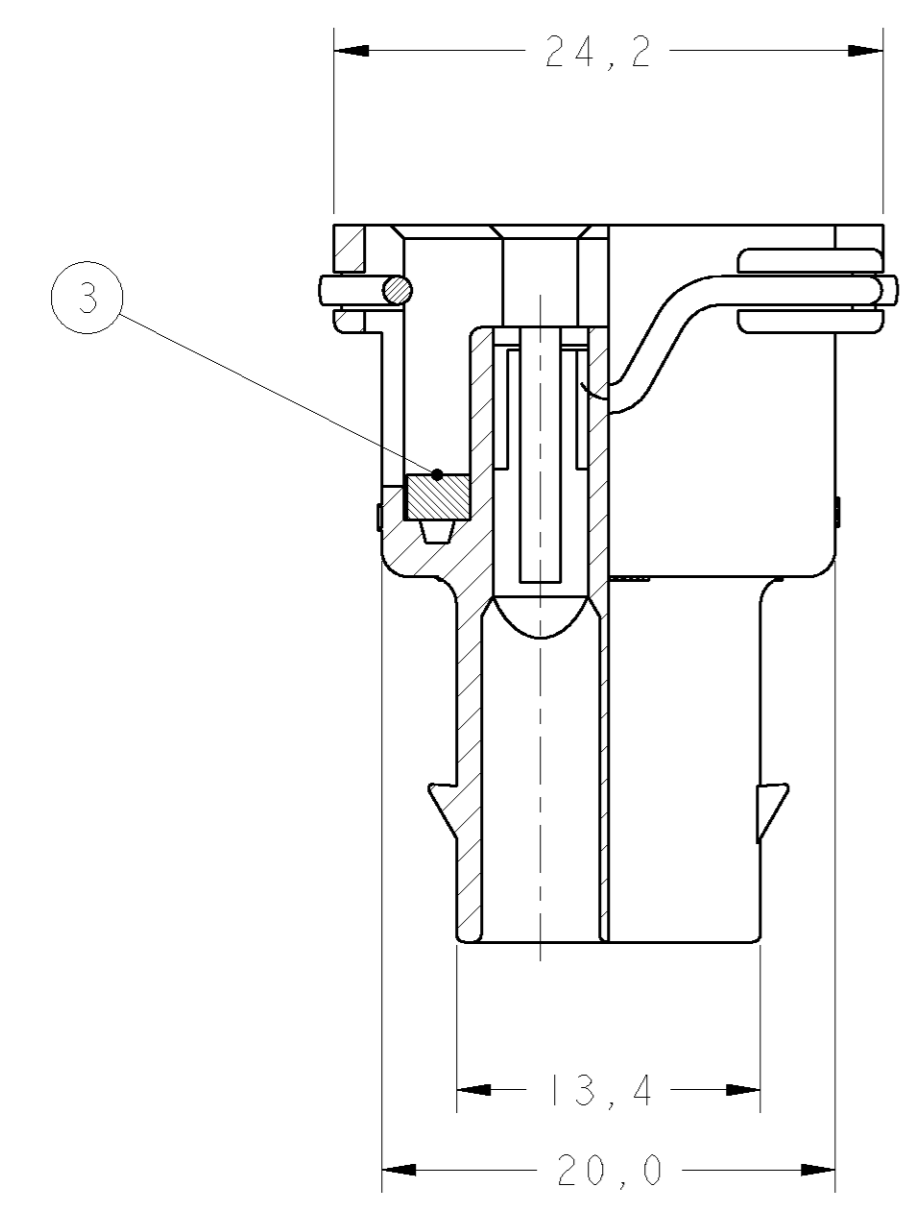
THIS DRAWING IS UNPUBLISHED. RELEASED FOR PUBLICATION 20
 © COPYRIGHT 20 BY TYCO ELECTRONICS CORPORATION. ALL RIGHTS RESERVED.

LOC	DIST	REVISIONS					
AP	-	P	LTR	DESCRIPTION	DATE	DWN	APVD
		C		REDRAW/ADDED -2 EC 134/02	10AUG2002	CRM	PLF
		D		REDRAW BY EC 088/03	27MAR03	EGS	PLF
		E		REVISED BY EC - LE10-0152/04	02AUG2004	EJGS	PLF



GRAVAÇÃO MARKING
LOGOTIPO AMP TYCO LOGO
CÓDIGO PAÍS PRODUTOR MANUFACTURER COUNTRY CODE
NÚMERO COMPONENTE AMP TYCO COMPONENT NUMBER
NÚMERO CAVIDADE CAVITY NUMBER
IDENTIFICAÇÃO CIRCUITO CIRCUIT IDENTIFICATION

- △-VER DESENHO DE CLIENTE RESTRITO VW.
- △-SEE RESTRICTED CUSTOMER DRAWING VW.
- △-VER DESENHO DE CLIENTE RESTRITO FORD
- △-SEE RESTRICTED CUSTOMER FORD



SECTION B-B

REQ. PER ASS'Y	ITEM	DESCRIPTION	MATERIAL	FINISH
1	3	RUBBER SEAL	SILICONE	LARANJA / ORANGE
1	2	SPRING	DIN 2076 Ø1,25	-
1	1	HSG, 2 POSN, JR. POWER TIMER	P.A 6.6+33% G.F	PRETO / BLACK
△-3	-2	-1△		
881757				

THIS DRAWING IS A CONTROLLED DOCUMENT FOR TYCO ELECTRONICS CORPORATION IT IS SUBJECT TO CHANGE AND THE CONTROLLING ENGINEERING ORGANIZATION SHOULD BE CONTACTED FOR THE LATEST REVISION.		DWN C. MENEGHIM	10AUG2002	TYCO ELECTRONICS do Brasil LTDA. São Paulo, Brasil
DIMENSIONS: mm		CHK P.L.FARIA	10AUG2002	
TOLERANCES UNLESS OTHERWISE SPECIFIED:		APVD L.W.PRADO	10AUG2002	
0 PLC ± 1 PLC ±0,3 2 PLC ±0,2 3 PLC ± 4 PLC ± ANGLES ± FINISH -		PRODUCT SPEC -	NAME HOUSING, ASS'Y., 2 POSN., JUNIOR POWER TIMER	
MATERIAL -		APPLICATION SPEC -	WEIGHT -	SIZE A2
		CUSTOMER DRAWING	SCALE 3:1	CAGE CODE 00779
				DRAWING NO 881757
				RESTRICTED TO -
				SHEET 1 OF 1
				REV E