

THIS DRAWING IS UNPUBLISHED. RELEASED FOR PUBLICATION
 © COPYRIGHT BY TYCO ELECTRONICS CORPORATION. ALL RIGHTS RESERVED.

LOC DW	DIST —	REVISIONS			
P	LTR	DESCRIPTION	DATE	DWN	APVD
		SEE SHEET 1.			

44±0.40

LABEL

ADHESIVE TAPE
4 PLC

160 MIN.

PEELING ANGLE
165° ~ 180°

φ330

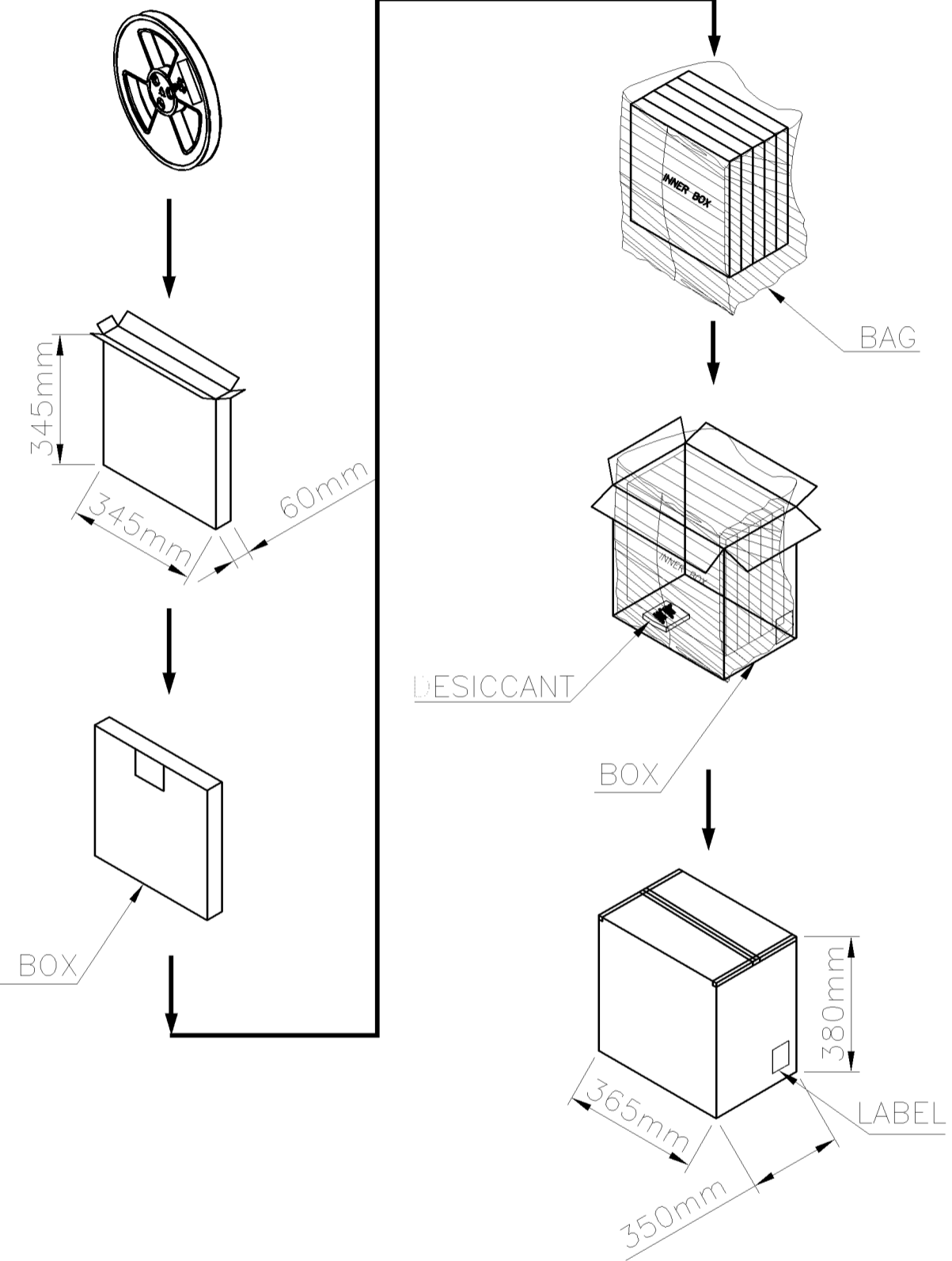
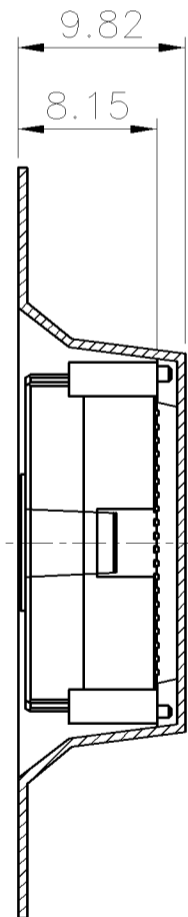
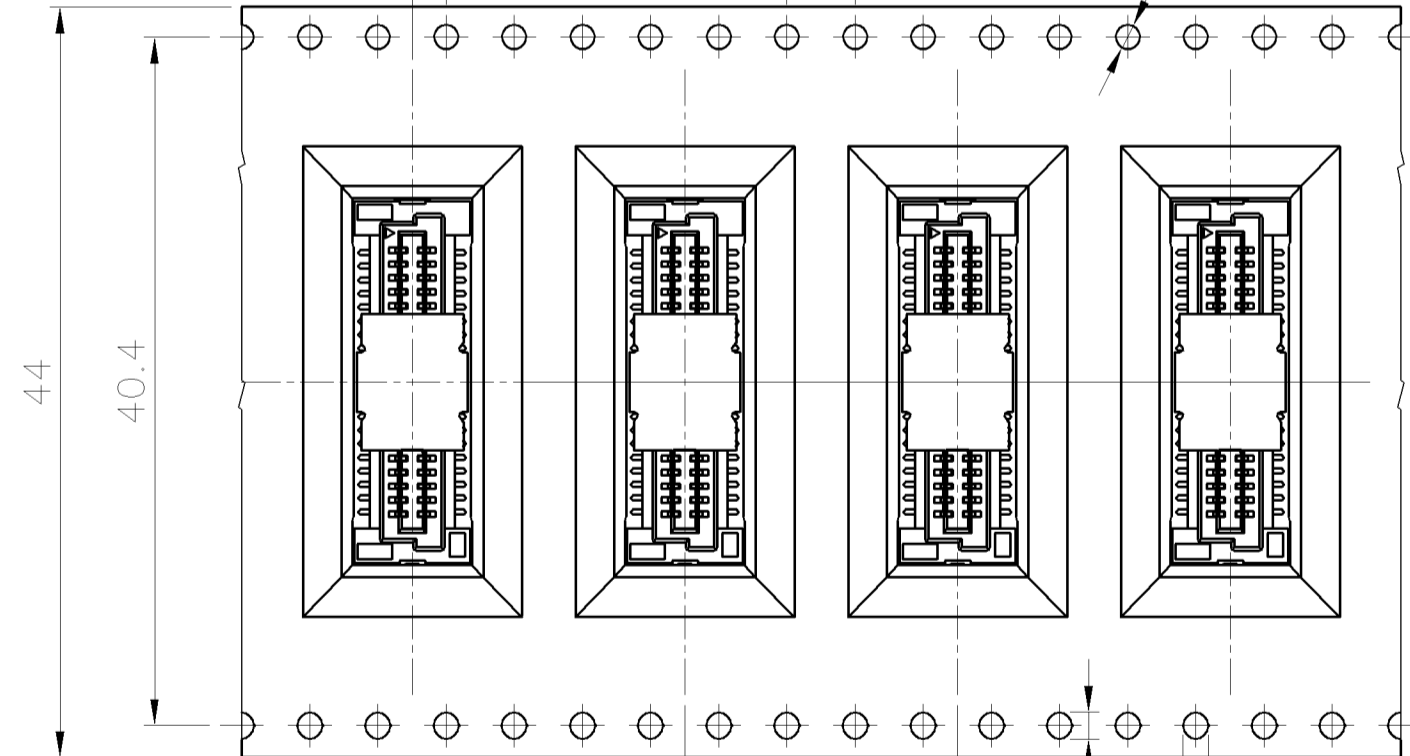
ABOUT 300 MM LONG UNLOADED SECTION
PRODUCT LOADING SECTION
ABOUT 300 MM LONG UNLOADED SECTION

TOP OF TAPE

2.00

4.00

φ1.50



400	5	2000 PCS	4.85	2.50	40
PCS/TAPE	REEL/BOX	QUTANITY	G/W (Kg)	N/W (Kg)	NO. OF CONTACTS

THIS DRAWING IS A CONTROLLED DOCUMENT.		DWN A. WU 21JAN2008	Tyco Electronics Corporation Taipei, Taiwan		
DIMENSIONS: MM		CHK S. HOU 21JAN2008	NAME		
TOLERANCES UNLESS OTHERWISE SPECIFIED:		APVD W. KODAMA 21JAN2008	0.8 mm PITCH BOARD-TO-BOARD CONNECTOR, FH, RECEPTACLE		
MATERIAL		PRODUCT SPEC	SIZE	CAGE CODE	DRAWING NO
FINISH		APPLICATION SPEC	A3	00779	C-1775729
		WEIGHT	RESTRICTED TO		
		CUSTOMER DRAWING	SCALE	SHEET	REV
			—	2 OF 2	A