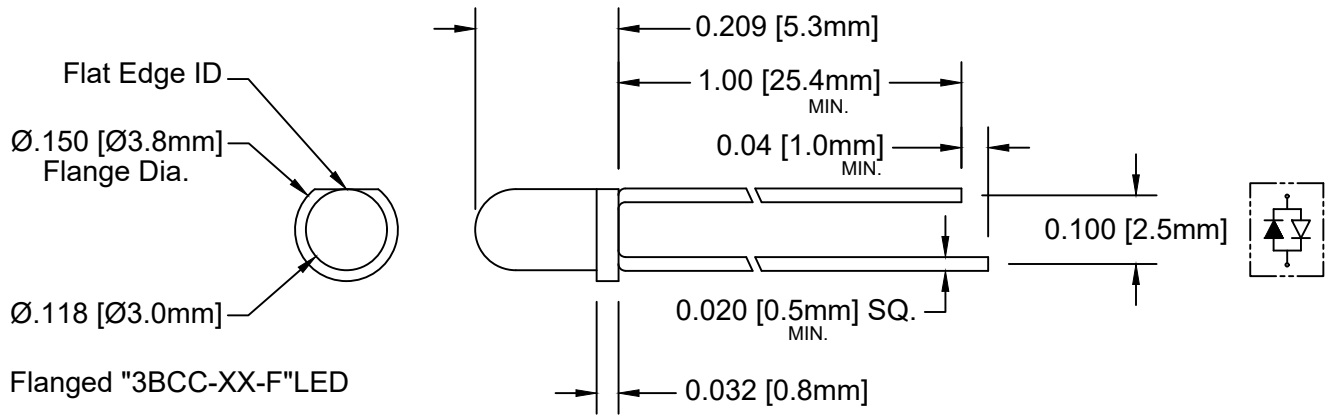


REV.	DESCRIPTION	DATE	APPROVED
A	Engineering Release	01/15/09	T. Y.
B	Added R/Y & A/G LED Specs	05/06/10	T. Y.
C	Added LED Specs	02/10/15	J. C.
D	Updated per EOL	09/04/19	A. V.



Flat Edge ID
 Ø.150 [Ø3.8mm]
 Flange Dia.
 Ø.118 [Ø3.0mm]
 Flanged "3BCC-XX-F"LED

Recommended Mounting
 Hole Size = $\varnothing.032^{+.003}_{-.002}$

SHORT LEAD CATHODE	PART NO.	LONG LEAD CATHODE
RED	3BCC-X	GREEN

ABSOLUTE MAXIMUM RATINGS (Ta=25°C)

REVERSE VOLTAGE _____	5V
REVERSE CURRENT _____	100uA
OPERATING TEMPERATURE RANGE _____	-25°C - 85°C
STORAGE TEMPERATURE _____	-30°C - 100°C
LEAD SOLDERING TEMPERATURE(1/16" FROM BODY) _____	260°C FOR 5 SECONDS

STANDARD TOLERANCE (UNLESS OTHERWISE SPECIFIED)	
DECIMALS	ANGULAR
.X ± .1	X° ± 1°
.XX ± .02	
.XXX ± .010	
DESIGNED: Raffy Paje	DATE: 01/15/09
CHECKED: F. Jensen	DATE: 01/15/09


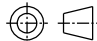


4 THOMAS, IRVINE, CA. 92618
 TEL: (949) 951-8808 FAX: (949) 951-3974

TITLE: T1 (3mm) BI-COLOR LED	
PART NO: 3BCC-XX-X	REVISION: D
CAGE CODE : 32559	SHEET # 1 OF 2
CAD GENERATED DOCUMENT, DO NOT MEASURE DRAWING.	

	SEE SHEET #1		

LED Part No.	Chip			Lens Appearance	Absolute Max. Ratings				Electro-Optical Data @ 20mA			Viewing Angle 2 $\Theta_{1/2}$ (Deg)
	Material	Peak Wave Length λ_p (nm)	Emitted Color		$\Delta\lambda$ (nm)	Pd (mW)	If (mA)	Peak If(mA)	Vf (V)		Iv (mcd)	
									Typ.	Max.	Typ.	
3BCC	GaAsP/GaP	625	RED	WATER CLEAR	35	80	30	150	2.0	2.8	10	40
	GaP/GaP	568	GREEN		30	80	30	150	2.1	2.8	10	40
3BCC-F	GaAsP/GaP	625	RED	WATER CLEAR	35	80	30	150	2.0	2.8	8	40
	GaP/GaP	568	GREEN		30	80	30	150	2.1	2.8	8	40

STANDARD TOLERANCE (UNLESS OTHERWISE SPECIFIED)		 BIVAR [®] 4 THOMAS, IRVINE, CA. 92618 TEL: (949) 951-8808 FAX: (949) 951-3974	
DECIMALS	ANGULAR		
		 TITLE: T1 (3mm) BI-COLOR LED	
DESIGNED: Raffy Paje	DATE: 01/15/09	PART NO: 3BCC-XX-X	REVISION: D
CHECKED: F. Jensen	DATE: 01/15/09	CAGE CODE : 32559	SHEET # 2 OF 2
CAD GENERATED DOCUMENT, DO NOT MEASURE DRAWING.			