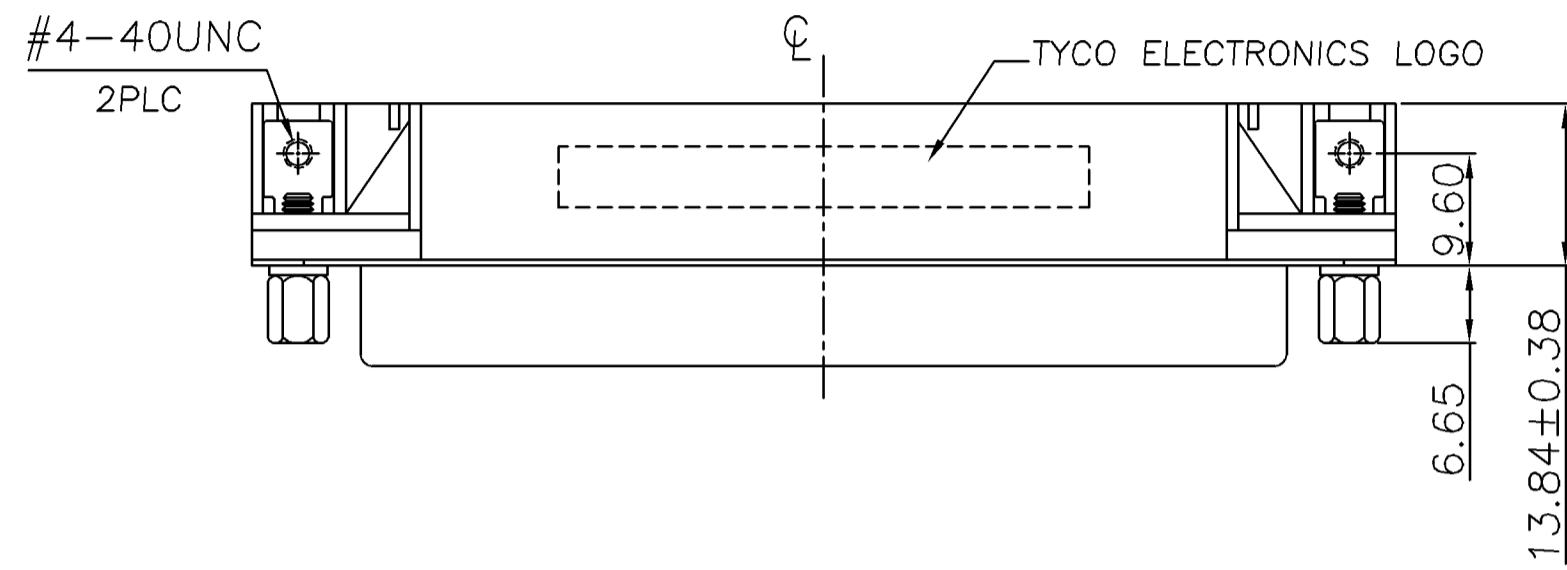
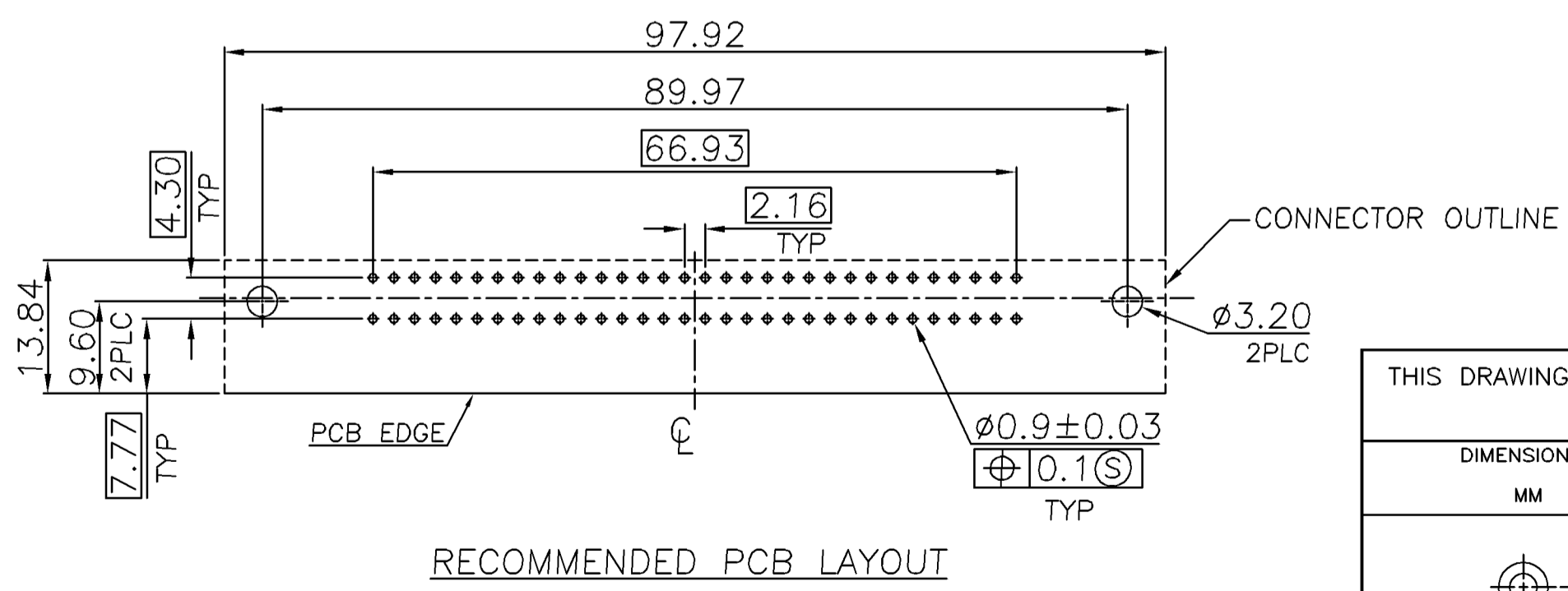
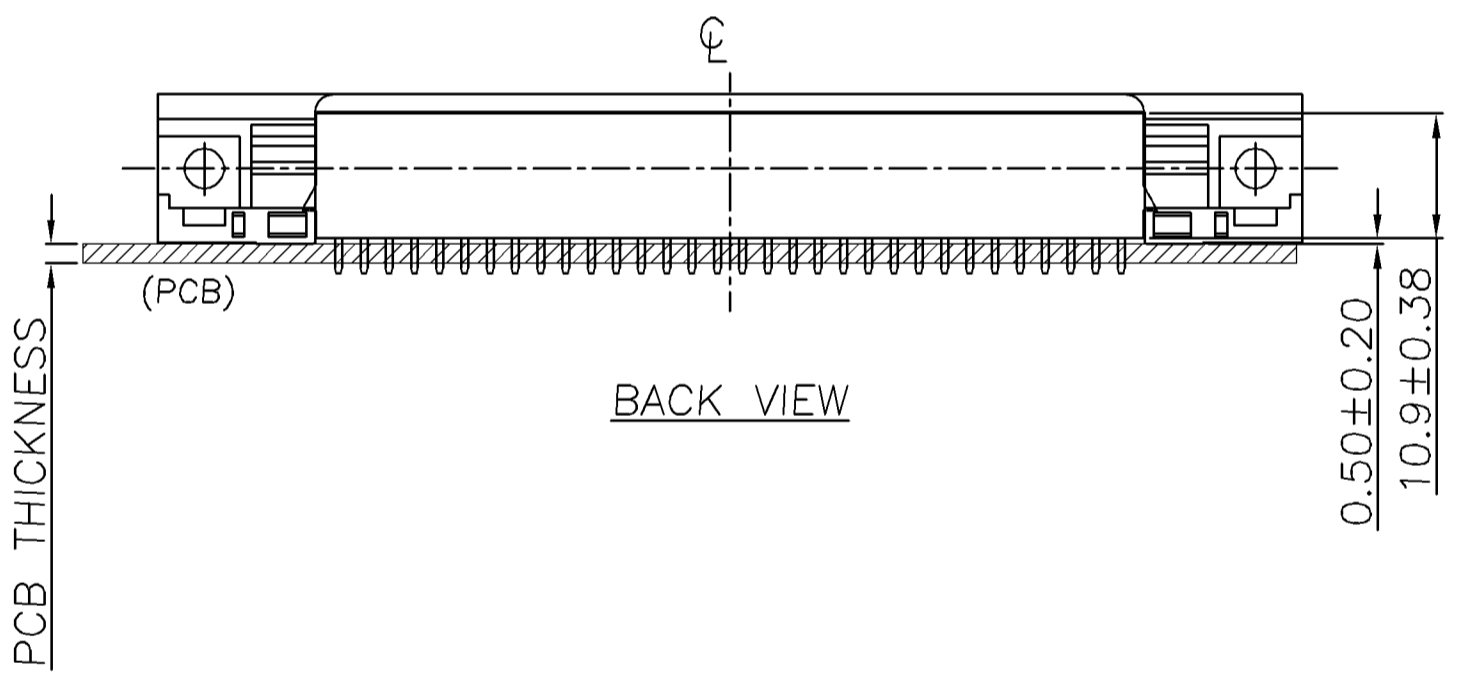
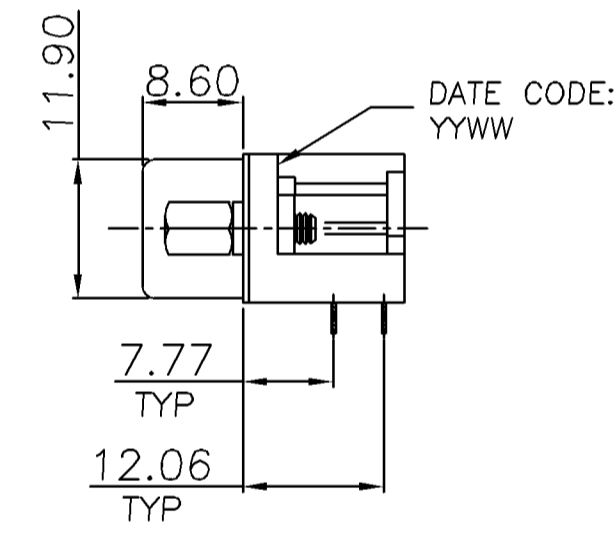
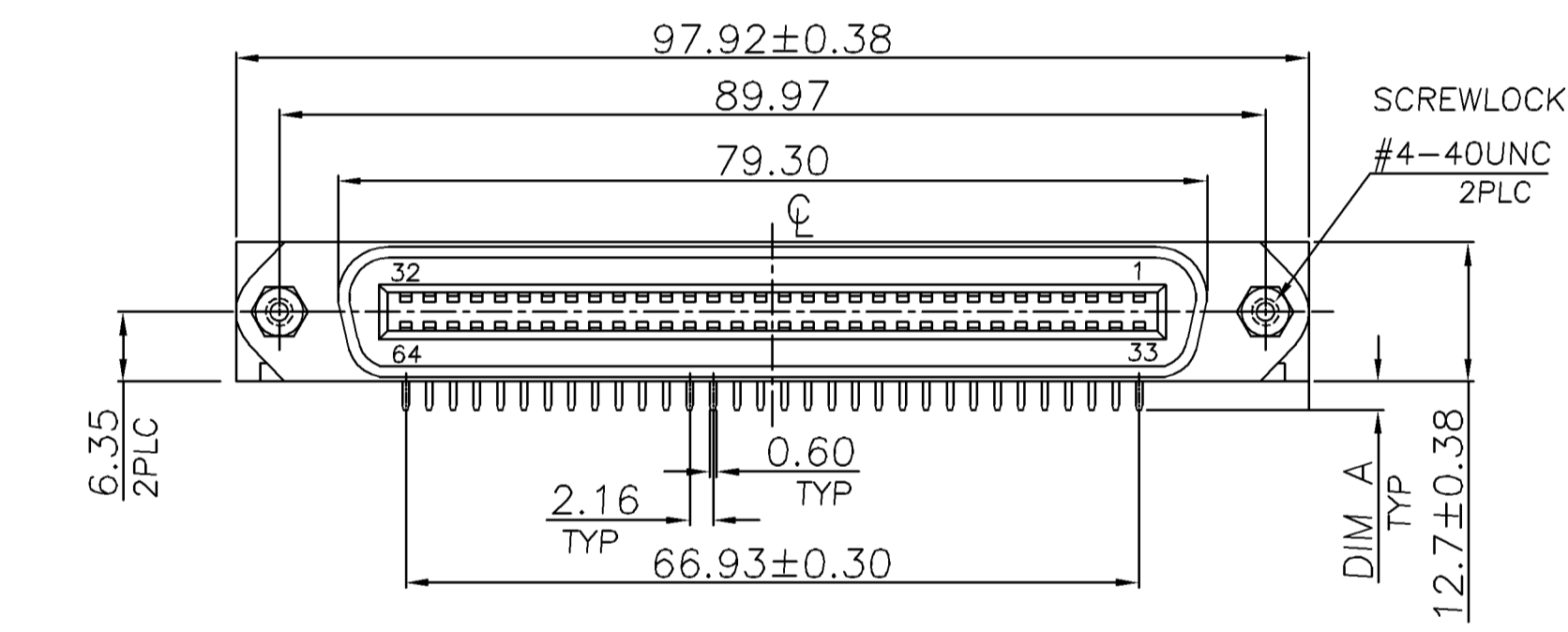


THIS DRAWING IS UNPUBLISHED. RELEASED FOR PUBLICATION
 © COPYRIGHT - BY TYCO ELECTRONICS CORPORATION. ALL RIGHTS RESERVED.

LOC	DIST	REVISIONS					
		P	LTR	DESCRIPTION	DATE	DWN	APVD
DW	-	01	REVISE	ECR-06-014234	13JUN2006	JL	SH
		A	REVISE	ECR-07-020943	04SEP2007	JL	SH



- NOTES:
- MATERIALS**
 HOUSING: THERMOPLASTIC(PBT) WITH GLASS FIBER
 UL94V-0, BLACK COLOR
 CONTACT: PHOSPHOR BRONZE
 SHELL, RIVET AND WASHER: STEEL
 HEX-SCREWLOCKS: BRASS
 - FINISH:**
 CONTACT: 0.381um[15u"] MIN. GOLD PLATING ON CONTACT AREA
 2.54um[100u"] MIN. MATTE TIN PLATING ON SOLDER TAIL
 1.27um[50u"] MIN. NICKEL UNDERPLATED ALL OVER
 SHELL, RIVET, WASHER AND HEX-SCREWLOCKS:
 2.032[80u"] MIN. NICKEL PLATING
 - WAVE SOLDER CAPABLE TO 265°C**
 PER TE SPEC. 109-202, CONDITION B.
 - SCREWLOCKS MUST WITHSTAND 6 IN-LBS TORQUE**

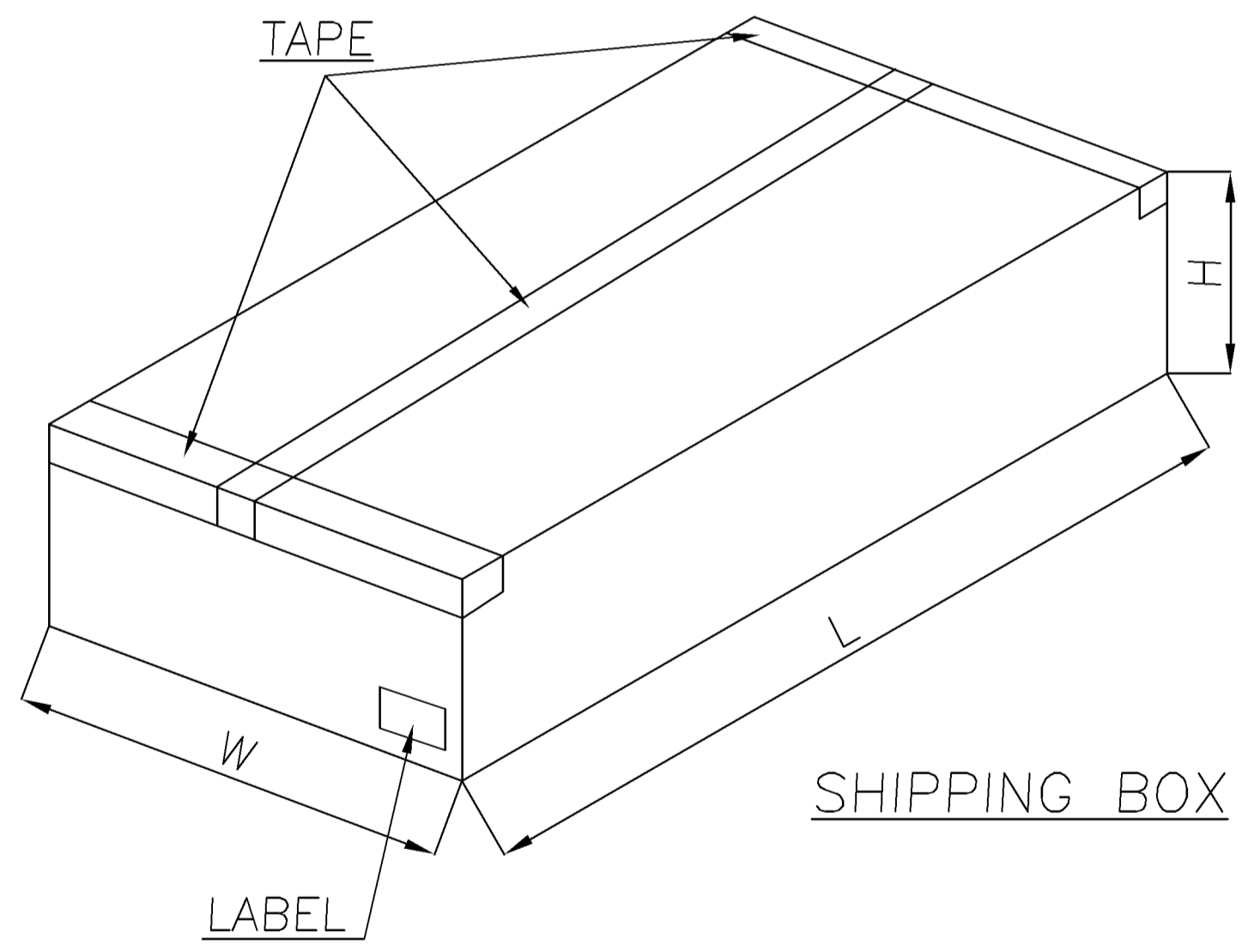
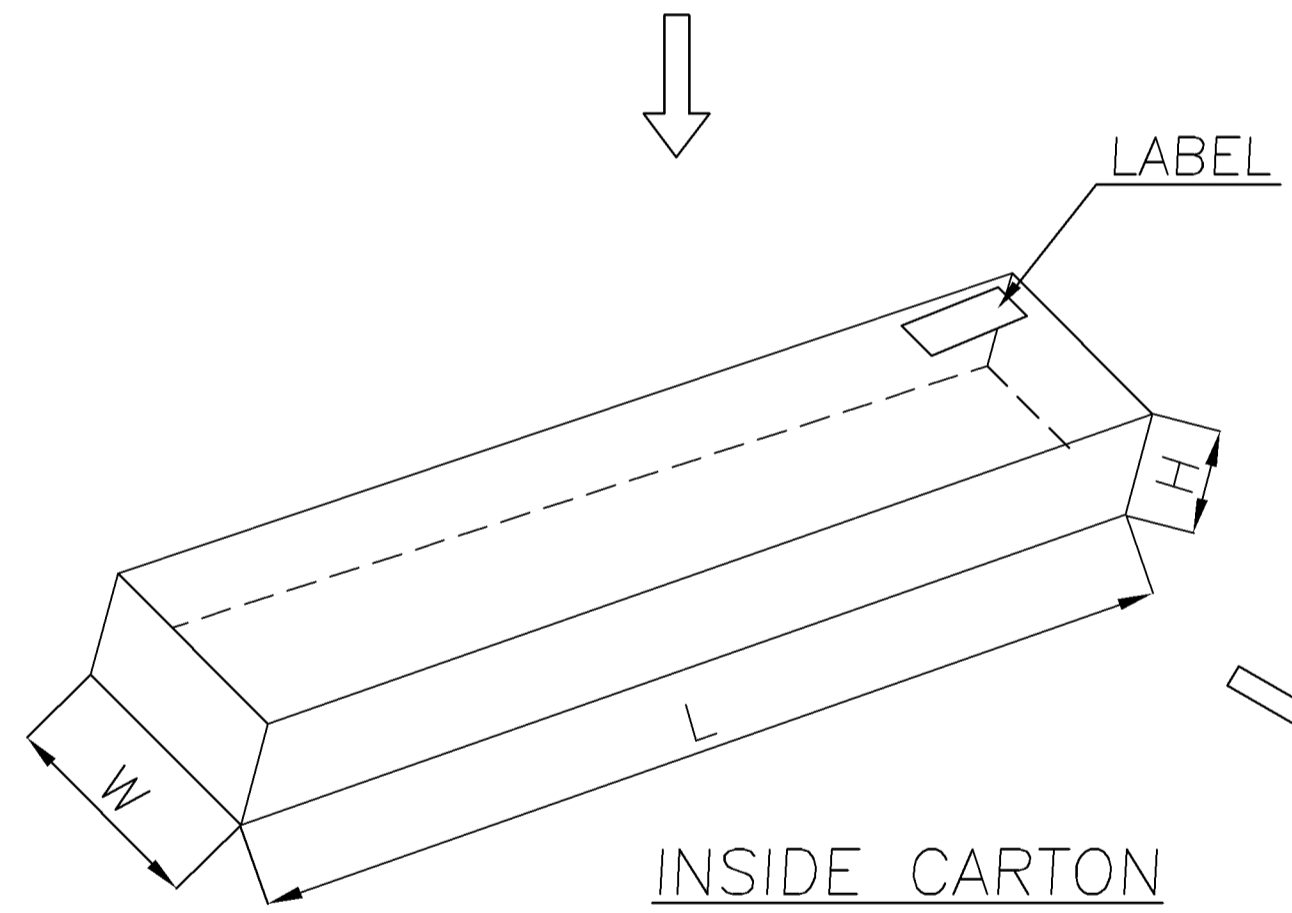
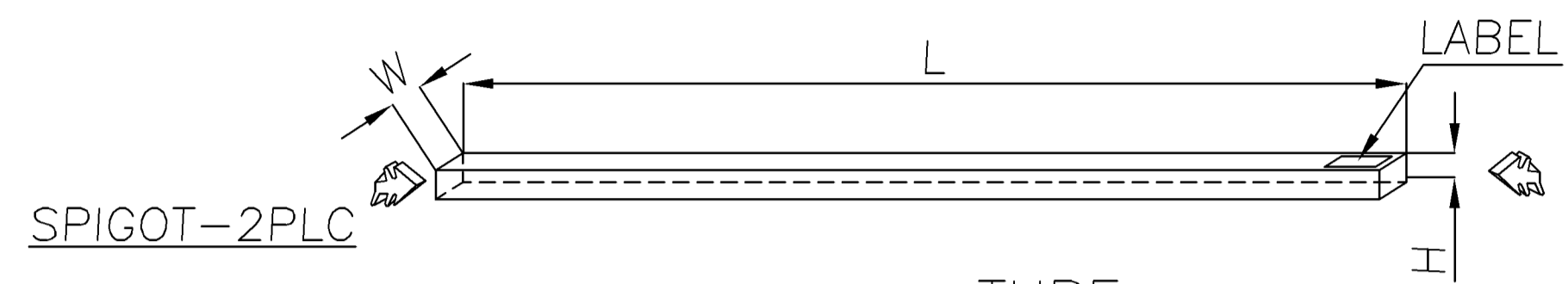


2.0 mm	3.18	1775115-2
1.6 mm	2.60	1775115-1
PCB THICKNESS	DIM A	PART NUMBER

THIS DRAWING IS A CONTROLLED DOCUMENT.		DWN J. LEE 04SEP2007	Tyco Electronics Corporation Taipei, Taiwan	
DIMENSIONS: MM		CHK S. HOU 04SEP2007	NAME	
TOLERANCES UNLESS OTHERWISE SPECIFIED:		APVD W.J. KE 04SEP2007	RECEPTACLE ASSEMBLY, 64 POSN, RIGHT ANGLE, CENTRONICS	
0 PLC ± -		PRODUCT SPEC	SIZE	
1 PLC ± 0.3		APPLICATION SPEC	CAGE CODE	
2 PLC ± 0.2		WEIGHT	DRAWING NO	
3 PLC ± -		CUSTOMER DRAWING	A300779	
4 PLC ± -		SCALE	RESTRICTED TO	
ANGLES ± 3'		SHEET	1 of 2	
FINISH		REV	A	

THIS DRAWING IS UNPUBLISHED. RELEASED FOR PUBLICATION
 © COPYRIGHT BY TYCO ELECTRONICS CORPORATION. ALL RIGHTS RESERVED.

LOC	DIST	REVISIONS			
P	LTR	DESCRIPTION	DATE	DWN	APVD
		SEE SHEET 1.			



- NOTES:
- MATERIAL:
 TUBE: PVC
 INSIDE CARTON: CORRUGATED FIBER
 SHIPPING BOX: CORRUGATED FIBER
 - DIMENSION:
 TUBE: 635mm(L)x25.5mm(W)x20mm(H)
 INSIDE CARTON: 660mm(L)x150mm(W)x135mm(H)
 SHIPPING BOX: 670mm(L)x315mm(W)x150mm(H)
 - QUANTITY:
 6 PCS/TUBE
 30 TUBES/INSIDE CARTON
 2 INSIDE CARTONS/SHIPPING BOX(360PCS)
 - SHIPPING BOX WEIGHT:
 NET WEIGHT: 15.5KGS
 GROSS WEIGHT: 16.5KGS

THIS DRAWING IS A CONTROLLED DOCUMENT.		DWN J. LEE	04SEP2007	Tyco Electronics Corporation Taipei, Taiwan	
DIMENSIONS: MM		CHK S. HOU	04SEP2007	NAME RECEPTACLE ASSEMBLY, 64 POSN, RIGHT ANGLE, CENTRONICS	
TOLERANCES UNLESS OTHERWISE SPECIFIED:		APVD W.J. KE	04SEP2007	SIZE A3	CAGE CODE 00779
0 PLC ± -		PRODUCT SPEC		DRAWING NO C=1775115	RESTRICTED TO -
1 PLC ± -		APPLICATION SPEC		SCALE -	SHEET 2 OF 2
2 PLC ± -		WEIGHT -		REV A	
3 PLC ± -		CUSTOMER DRAWING			
4 PLC ± -					
ANGLES ± -					
FINISH					