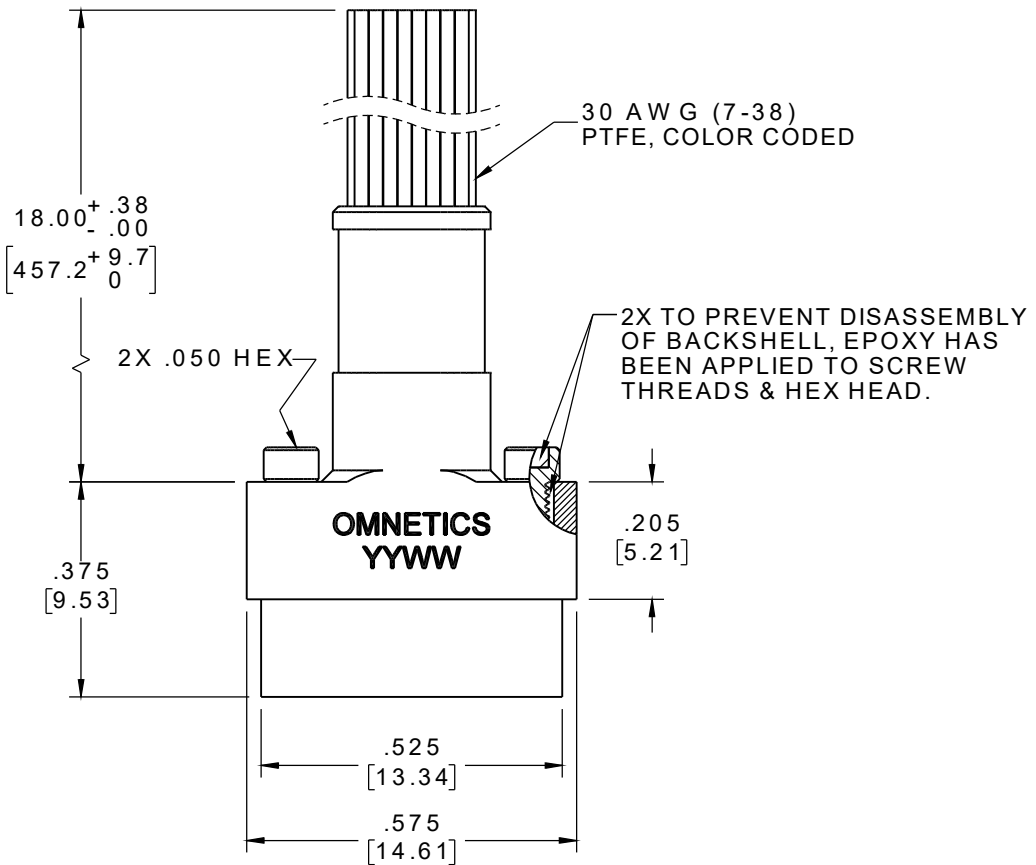
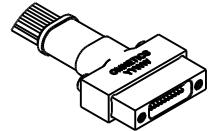


PART NO.	A 29111-021	REV	ECO	DATE	APP
		B	106954	01-06-2021	ARJ

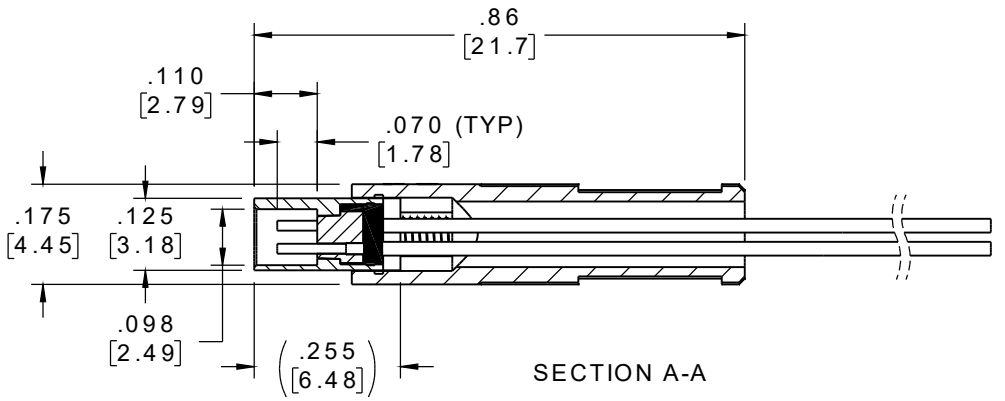
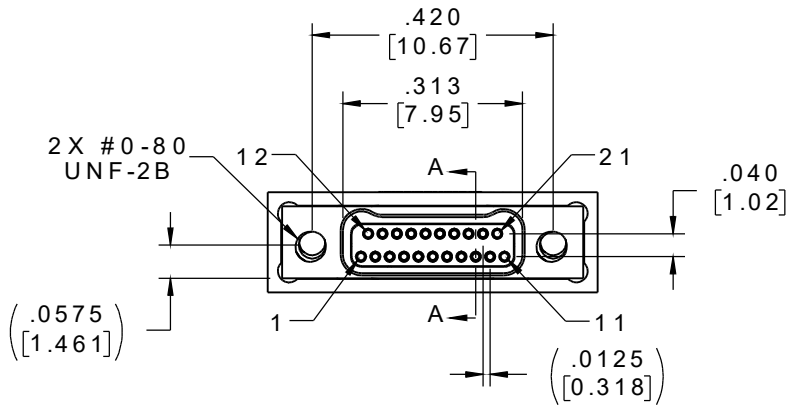


SOCKET #	COLOR
1, 11, 21	BLACK
2, 12	BROWN
3, 13	RED
4, 14	ORANGE
5, 15	YELLOW
6, 16	GREEN
7, 17	BLUE
8, 18	VIOLET
9, 19	GRAY
10, 20	WHITE



ACTUAL SIZE EXCLUDING WIRE LENGTH

INTERNAL USE ONLY
USE MFG LOADING
PROCEDURE A29000-021



NOTE:
DIMENSIONS IN [] ARE IN MILLIMETERS UNLESS OTHERWISE NOTED AND ARE FOR REFERENCE ONLY

MNSW SLSW	THIRD ANGLE	THIS DRAWING CONTAINS CONFIDENTIAL AND PROPRIETARY INFORMATION WHICH IS THE PROPERTY OF OMNETICS CONNECTOR CORP. THIS DOCUMENT MAY NOT, IN WHOLE OR IN PART, BE DUPLICATED, OR DISCLOSED FOR ANY PURPOSE, WITHOUT WRITTEN PERMISSION FROM OMNETICS CONNECTOR CORP.		<h1>OMNETICS</h1> <p>CONNECTOR CORPORATION 7260 COMMERCE CIRCLE EAST MINNEAPOLIS, MN 55432 WWW.OMNETICS.COM</p>	CAGE CODE 61873		
	-TOLERANCES- UNLESS OTHERWISE NOTED	DFTM. HV	DATE 03-05-18		TITLE:	DWG NO. A29111-021	
	DIMENSIONS IN INCHES	CHK'D.	DATE		(21) SOCKET FEMALE Bi-Lobe® CONNECTOR W/ BACKSHELL	SHEET 1 OF 2 REV B	
	2 PL DEC ± .01 3 PL DEC ± .005 4 PL DEC ± .0005 ANGLES ± 1°	APP'D.	DATE			SCALE: 3:1	