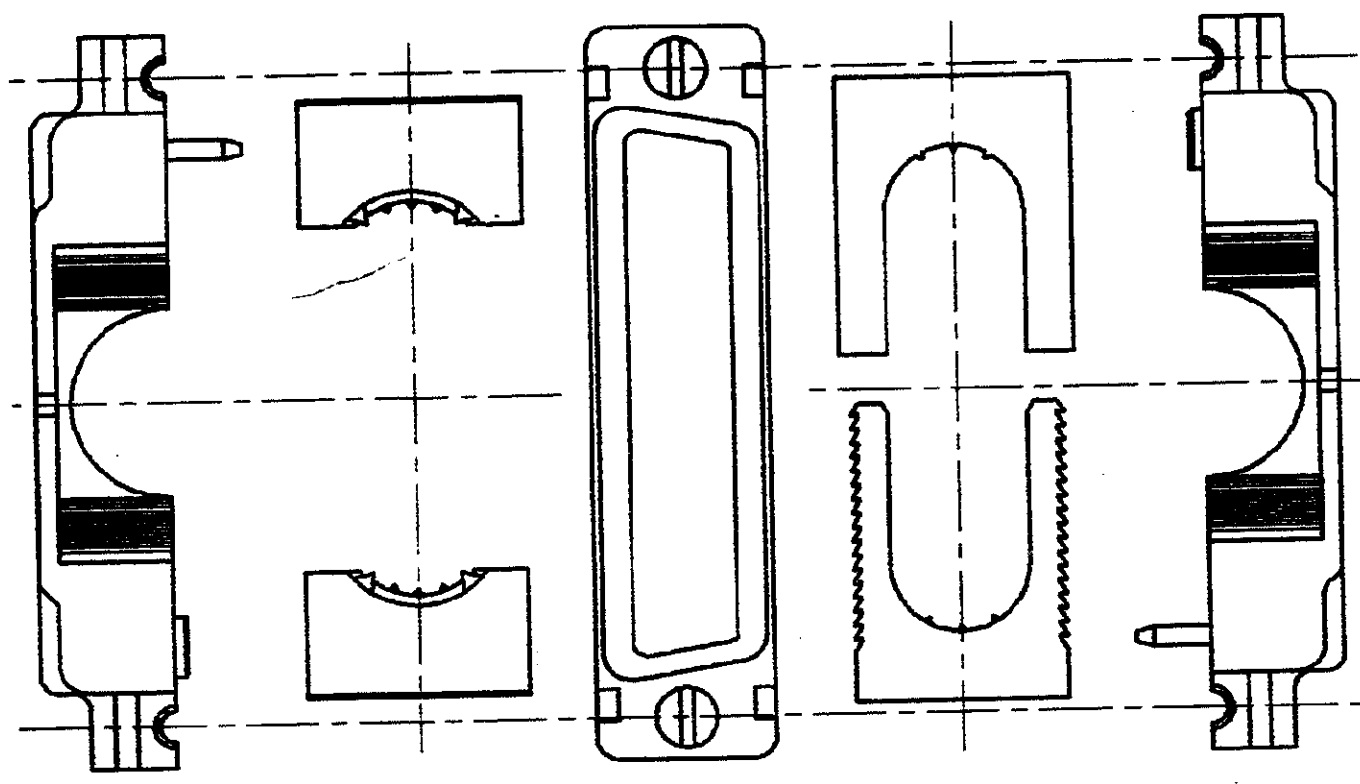


DRAWING MADE IN THIRD ANGLE PROJECTION
 THIS DRAWING IS UNPUBLISHED. RELEASED FOR PUBLICATION .19
 © COPYRIGHT 19 BY AMP INCORPORATED. ALL INTERNATIONAL RIGHTS RESERVED.

MOD		LOC		DIST		REVISIONS			
ZONE	LTR	DATE	APPD	DESCRIPTION		DATE	APPD		
22	BD	39		A	REDRAWN	7-90			
				B	REV PER ECN BD4512	12/05/90	JM		



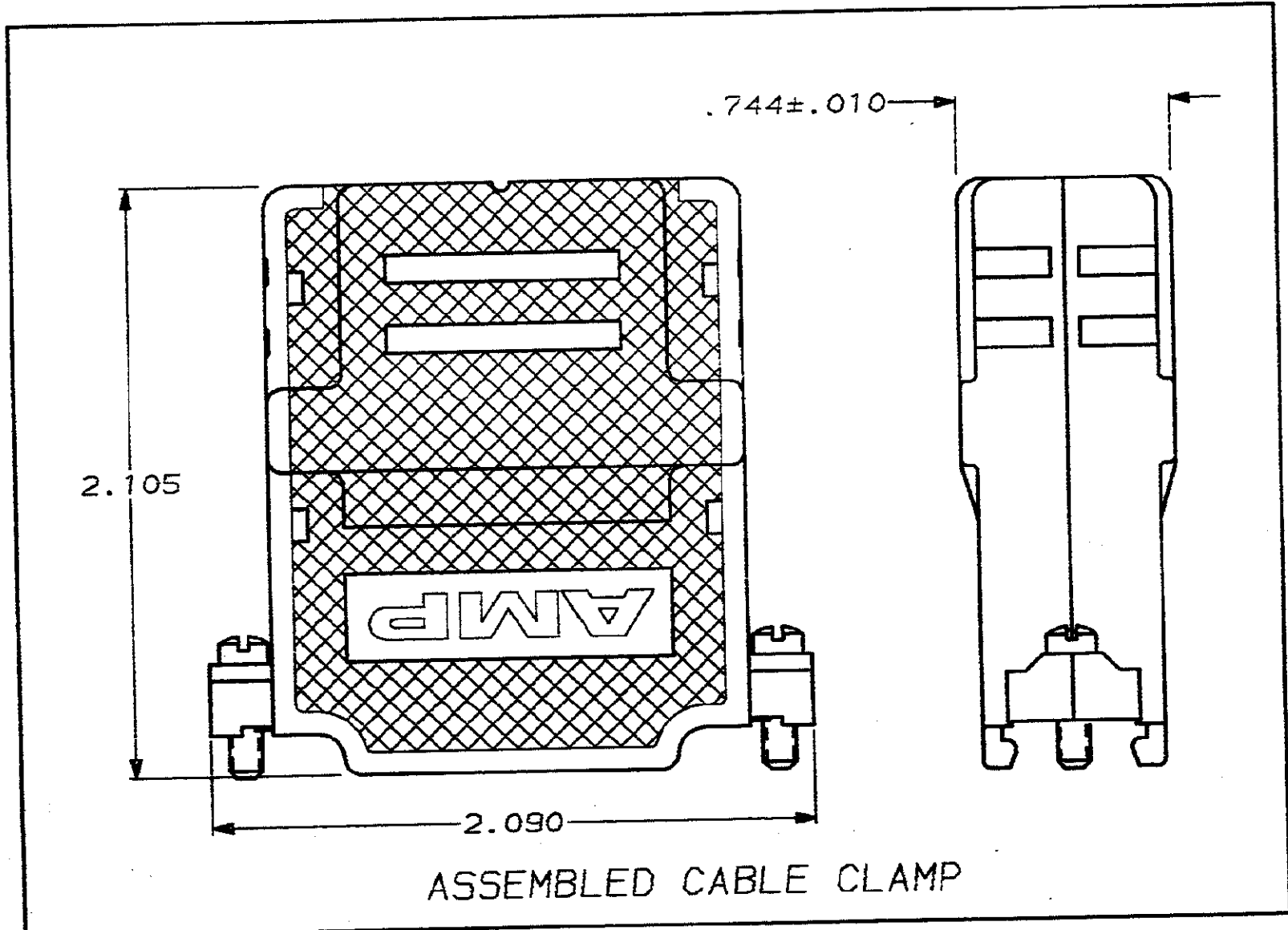
CABLE CLAMP WEDGE SET, QUANTITY: 2,
 ONE SET FOR .190 DIA TO .380 DIA CABLE AND
 ONE SET FOR .380 DIA TO .530 DIA CABLE.

#4-40 MOUNTING SCREW
 QUANTITY: 2

CABLE CLAMP HALF
 QUANTITY: 2

BRAID TERMINATION CLAMP SET
 QUANTITY: 1

25 POSITION AMPLIMITE
 CONNECTOR SHOWN,
 REFERENCE ONLY.



ASSEMBLED CABLE CLAMP

3	748665-2
2	748665-1
PACKAGING	PART NUMBER

1. PARTS PACKAGED UNASSEMBLED.
2. PARTS PACKAGED AS A UNIT KIT.
3. PARTS INDIVIDUALLY BULK PACKAGED AND SHIPPED AS A UNIT PACKAGE.
4. ABS MOLDING COMPOUND, BLACK.
5. STEEL PER ASTM A108.
6. PLATED NICKEL OVER COPPER.
7. ZINC PLATED PER ASTM B633, TYPE III, CLASS SCI, CLEAR CHROMATE.

DO NOT SCALE PRINT. UNLESS SPECIFIED DIMENSIONS IN INCHES TOLERANCES ON:		DR 7-26-90 J. GALLUCCI B6		AMP INCORPORATED Harrisburg, Pa. 17105	
2 PLC DEC ± -		CHK 9-10-90 J. McCLINTON			
3 PLC DEC ± .005		APPD 9-10-90 J. WESTMAN		NAME UNIVERSAL CABLE CLAMP KIT, SHIELDED, SIZE 3, 25 POSITION, AMPLIMITE™	
ANGLES ± -		APPD 9-11-90 J. ASSINI			
MATERIAL		PRODUCT SPEC		SIZE C	
MOLDED PARTS: 4		APPLICATION SPEC		FSCM NO 00779	
SCREWS: 5		WEIGHT -		DRAWING NO 748665	
FINISH SCREWS: 7				SCALE 2:1	
CABLE CLAMP HALVES: 6				SHEET 1 OF 1	
BRAID TERMINATION CLAMPS: 6					

CUSTOMER DRAWING